



CH



## Power Cord

Products

[Learn More](#)



Insulated Wire



Power Cord



Cable Assembly



Insulation Tape



Heating Wire

Lee Yuen has a wide range of international approvals including VDE, SEMKO, DEMKO, FIMKO, NEMKO, SEV, KEMA, CEPEC, IMQ, OVE, CCC, SAA, etc, with a total of 26 approvals.

Power cords, plugs, connectors and receptacles are used in a wide variety of applications and markets. Examples include:

### Business and IT Peripherals

- Desktops
- Monitors
- Laptops and Notebooks
- Printers

### Consumer Electronics

- Game Consoles
- Projectors
- Sound Systems
- Televisions

### Other Equipment and Appliances



- 
- Power Tools
  - Pressure Washers
  - Water and Air Pumps

### **Domestic Appliances**

- Air Conditioners
- Dryers
- Microwave Ovens/Coffee maker/Rice cooker/Blender/Toaster/Water dispenser/Beer dispenser
- Refrigerators and Freezers
- Washing Machines

### **Personal Care**

- Hair Curlers and Dryers
- Electric shaver charger/Hair dryer/Hair straightened/Electric heated blanket controller/Dental water flosser

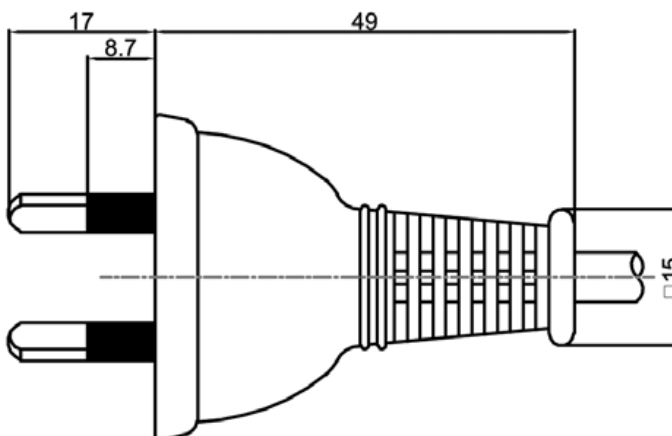
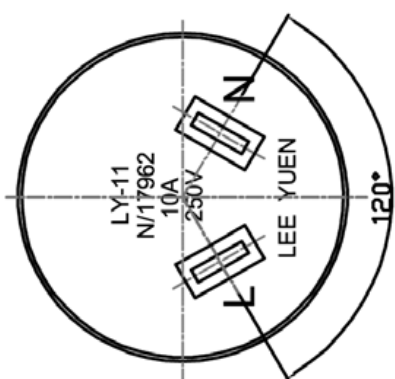


## AUSTRALIA STANDARD

Plug No. LY-11  
 Type For Class II Appliance  
 Std. AS/NZS3112  
 Max.Rating 10A, 250V  
 Safety Approval SAA



Cable Type	Size	Rating
H03VV-F/H03VVH2-F	2 X0.75mm <sup>2</sup>	10A 250V
H05VV-F/ H05VVH2-F/ H05RN-F/H05RR-F	2 X0.75-1.0mm <sup>2</sup>	10A 250V



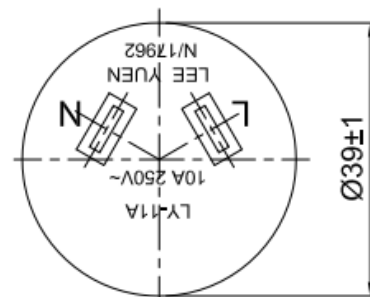
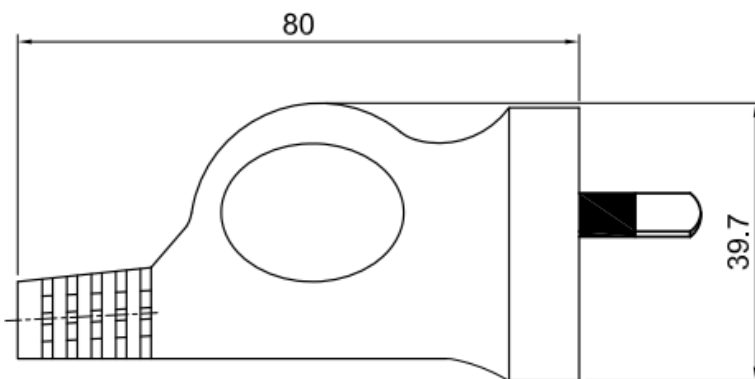


## AUSTRALIA STANDARD

Plug No. LY-11A  
Type For Class II Appliance  
Std. AS/NZS 3112  
Max.Rating 10A, 250V  
Safety Approval SAA



Cable Type	Size	Rating
H03VV-F	2 X0.75mm <sup>2</sup>	10A 250V
H05VV-F	2 X0.75-1.0mm <sup>2</sup>	10A 250V
H05VVH2-F	2 X0.75-1.0mm <sup>2</sup>	10A 250V
H03VVH2-F	2 X0.75mm <sup>2</sup>	10A 250V



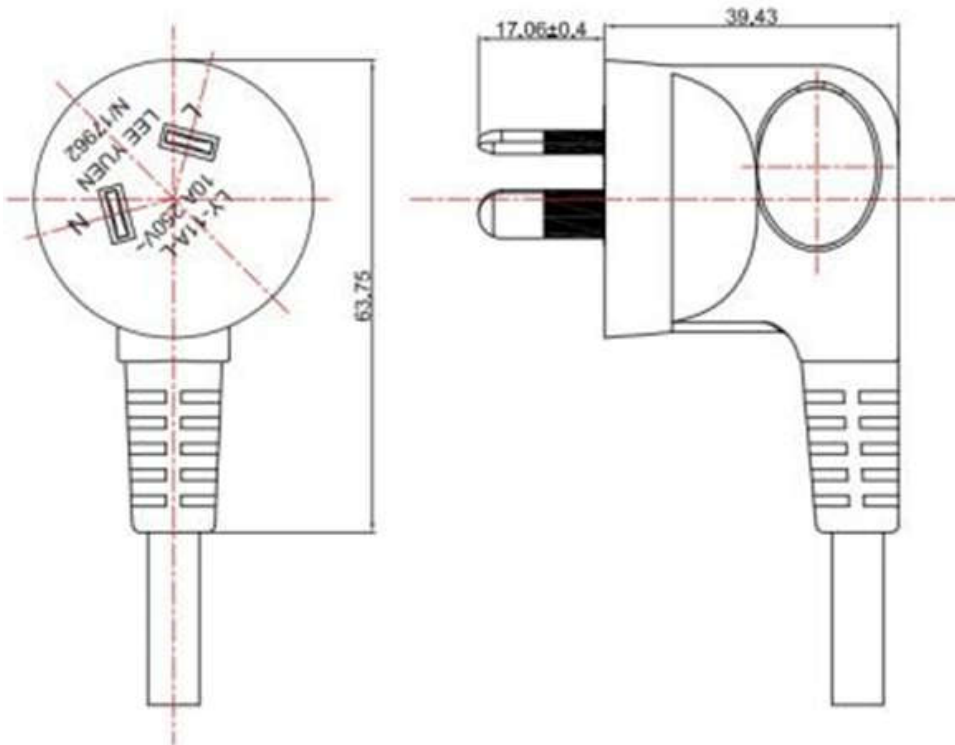


# AUSTRALIA STANDARD

Plug No. LY-11A-L  
 Type For Class II Appliance  
 Std. AS/NZS 3112  
 Max.Rating 10A, 250V  
 Safety Approval SAA



Cable Type	Size	Rating
H03VV-F	2 X0.75mm <sup>2</sup>	10A 250V
H05VV-F	2 X0.75-1.0mm <sup>2</sup>	10A 250V
H05VVH2-F	2 X0.75-1.0mm <sup>2</sup>	10A 250V
H03VVH2-F	2 X0.75	10A 250V



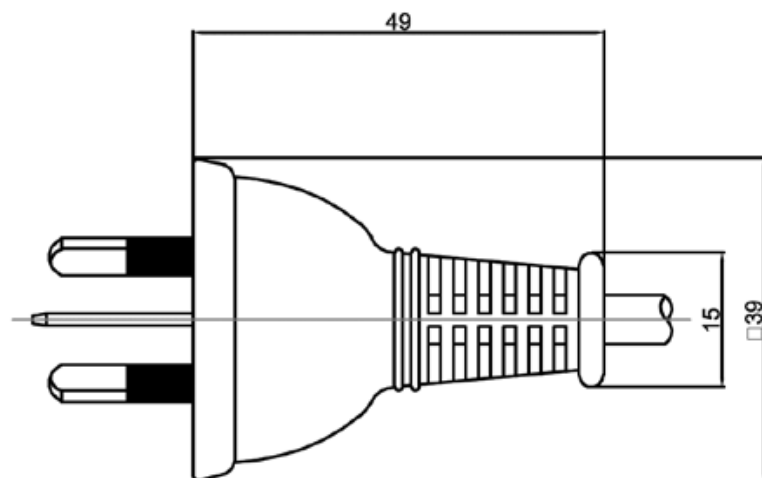
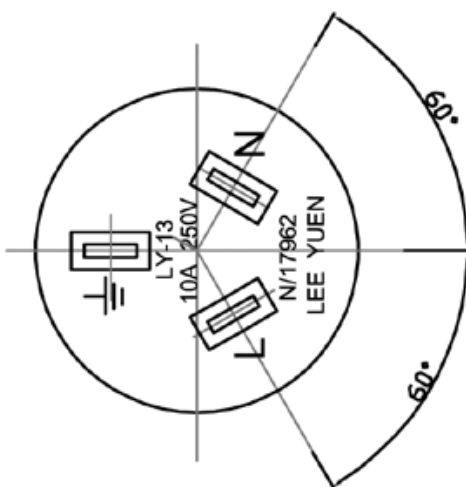


# AUSTRALIA STANDARD

Plug No. LY-13  
 Type For Class I Appliance  
 Std. AS/NZS 3112  
 Max.Rating 10A, 250V  
 Safety Approval SAA



Cable Type	Size	Rating
H03VV-F	3 X0.75mm <sup>2</sup>	10A 250V
H03VVH2-F	2 X0.75	10A 250V
H05VV-F	3 X0.75-1.5mm <sup>2</sup>	10A 250V
H05VVH2-F	2X0.75/1.0mm <sup>2</sup>	10A 250V
H05RN-F	2X0.75/1.0mm <sup>2</sup>	10A 250V
H05RN-F	3X0.75/1.0mm <sup>2</sup>	10A 250V
H05RR-F	2X0.75/1.0mm <sup>2</sup>	10A 250V
H05RR-F	3X0.75/1.0mm <sup>2</sup>	10A 250V
H05V2V2-F	2X0.75/1.0mm <sup>2</sup>	10A 250V
H05V2V2-F	3X0.75/1.0mm <sup>2</sup>	10A 250V



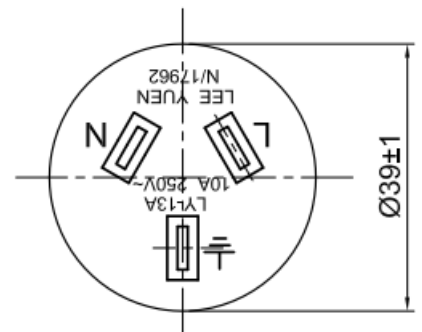
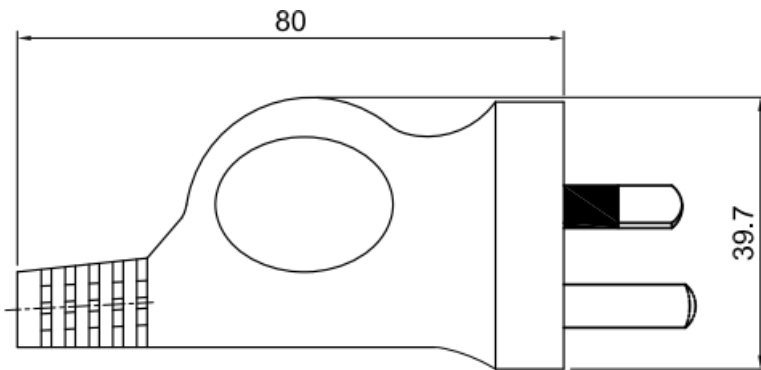


## AUSTRALIA STANDARD

Plug No. LY-13A  
Type For Class I Appliance  
Std. AS/NZS 3112  
Max.Rating 10A, 250V  
Safety Approval SAA



Cable Type	Size	Rating
H03VV-F	3 X0.75mm <sup>2</sup>	10A 250V
H05VV-F	3 X0.75-1.0mm <sup>2</sup>	10A 250V



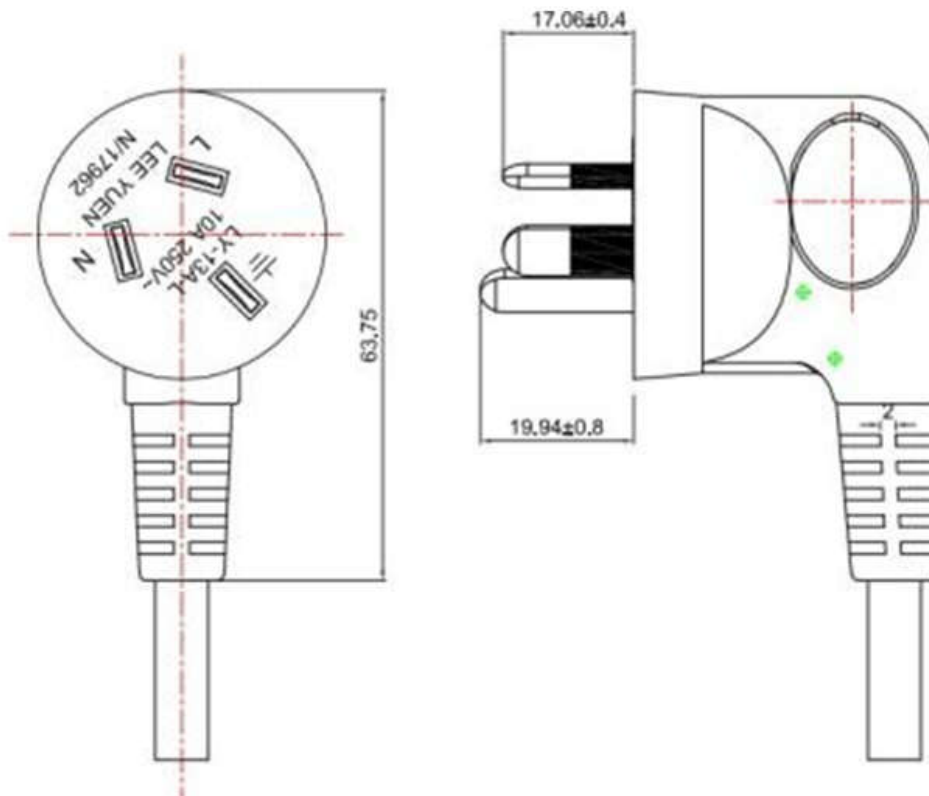


# AUSTRALIA STANDARD

Plug No. LY-13A-L  
Type For Class I Appliance  
Std. AS/NZS 3112  
Max.Rating 10A, 250V  
Safety Approval SAA



Cable Type	Size	Rating
H03VV-F	3 X0.75mm <sup>2</sup>	10A 250V
H05VV-F	3 X0.75-1.0mm <sup>2</sup>	10A 250V





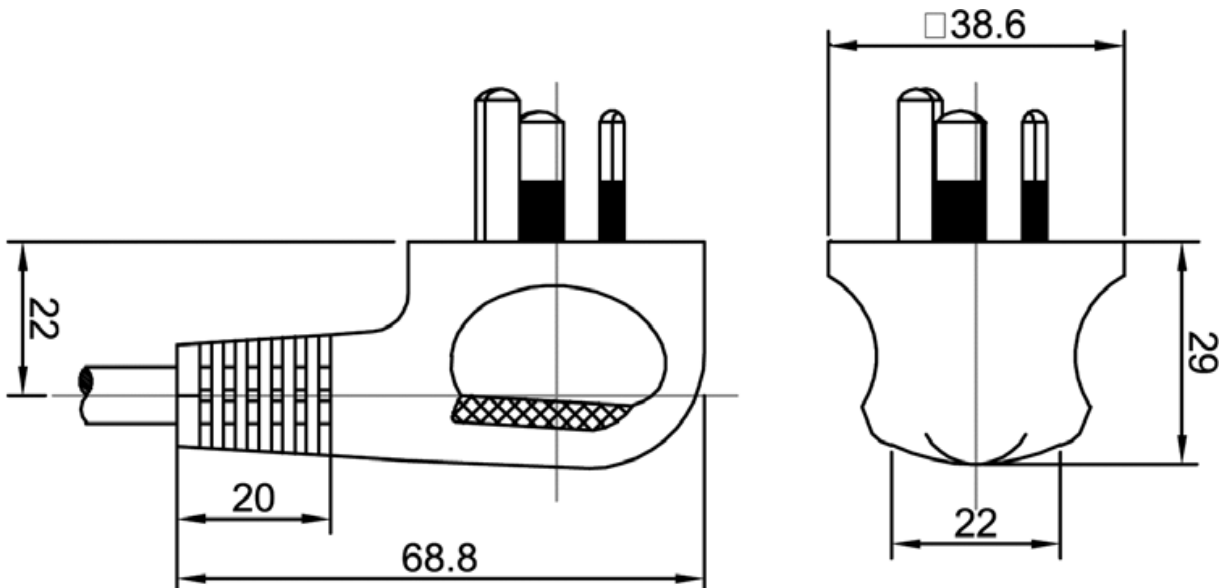


## AUSTRALIA STANDARD

Plug No. LY-13-90  
Type For Class I Appliance  
Std. AS/NZS 3112  
Max.Rating 10A, 250V  
Safety Approval SAA



Cable Type	Size	Rating
H03VV-F	3 X0.75mm <sup>2</sup>	10A 250V
H05VVH2-F	2 X0.75-1.0mm <sup>2</sup>	10A 250V
H05VV-F	3 X0.75-1.0mm <sup>2</sup>	10A 250V





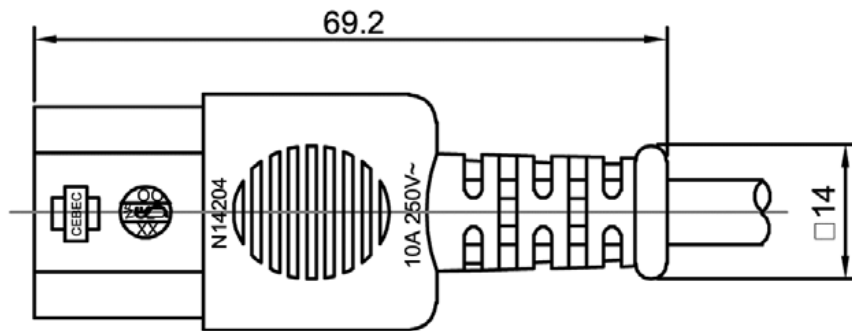
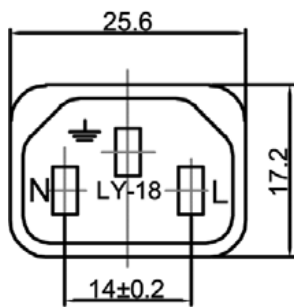
LEE YUEN

# AUSTRALIA STANDARD

Plug No. LY-18  
 Type C13  
 Std. IEC60320  
 Max.Rating 10A, 250V  
 Safety Approval SAA



Cable Type	Size	Rating
H05VV-F	3 X 0.75mm <sup>2</sup>	10A 250V
H05VV-F	3 X 1.0mm <sup>2</sup>	10A 250V





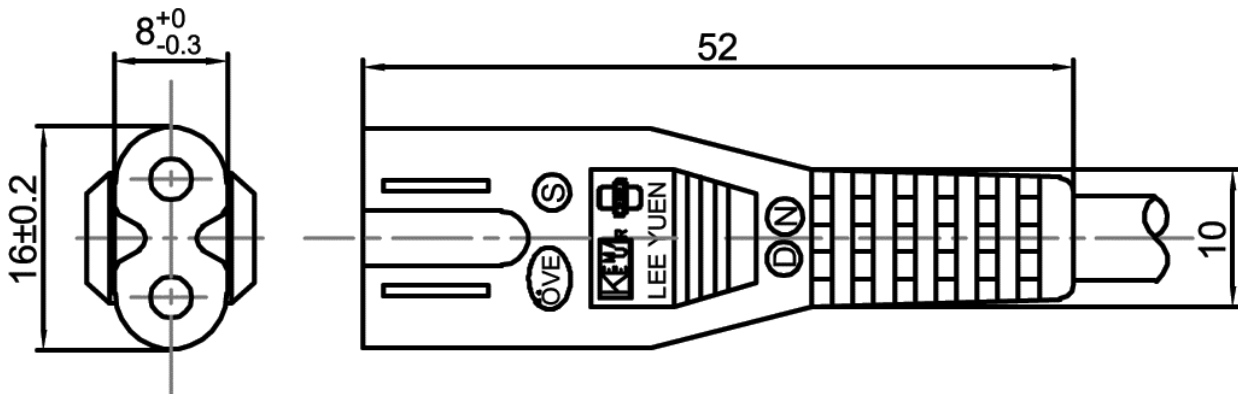
# AUSTRALIA STANDARD

Plug No. LY-22  
 Type C7  
 Std. IEC60320  
 Max.Rating 2.5A, 250V  
 Safety Approval SAA



Remarks: only available with plug as in cord set

Cable Type	Size	Rating
H03VVH2-F	2 X0.75mm <sup>2</sup>	2.5A 250V
H05VVH2-F	2 X0.75mm <sup>2</sup>	2.5A 250V





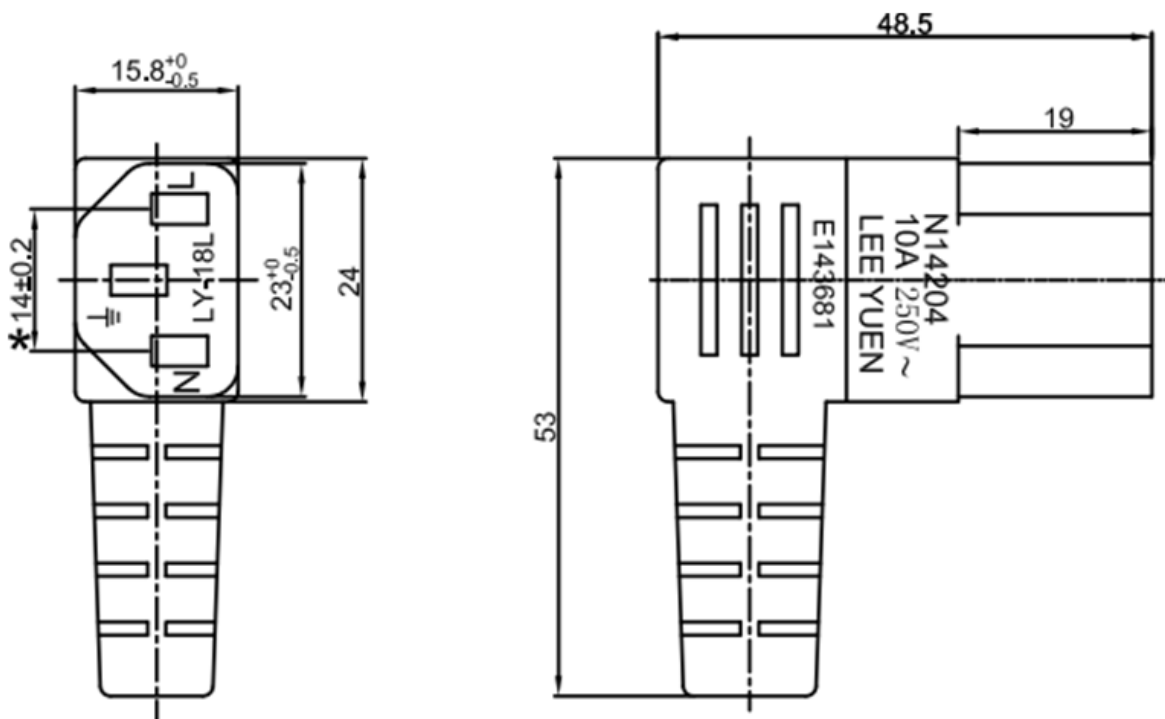
# AUSTRALIA STANDARD



Plug No. LY-18-L  
 Type C13  
 Std. IEC60320  
 Max.Rating 10A, 250V  
 Safety Approval SAA



Cable Type	Size	Rating
H05VV-F	3 X0.75mm <sup>2</sup>	10A 250V
H05VV-F	3 X1.0mm <sup>2</sup>	10A 250V





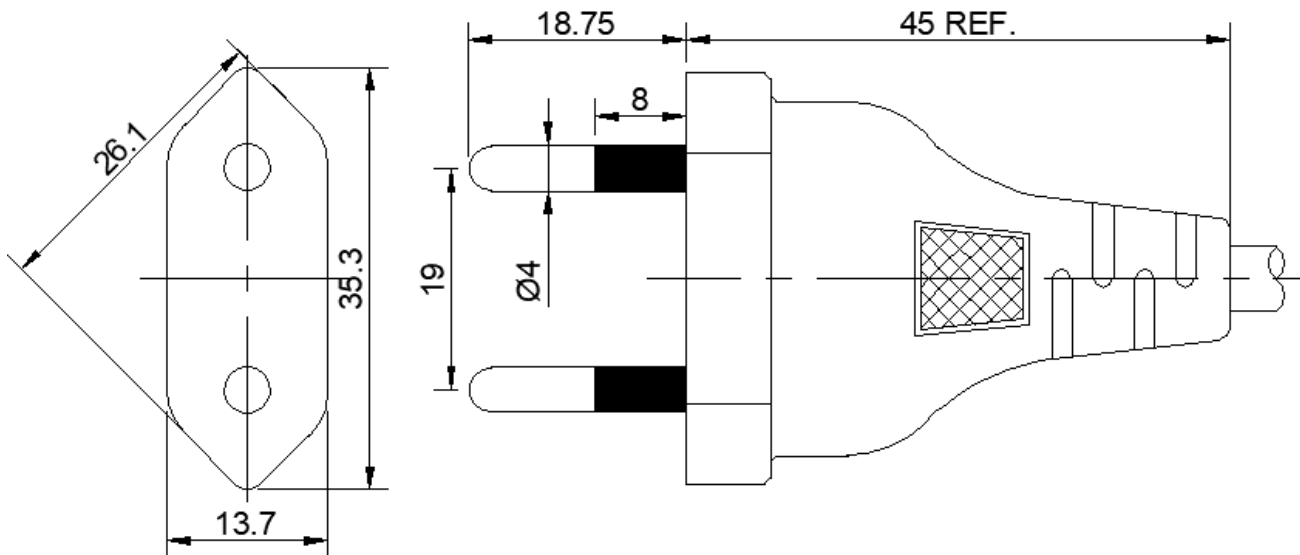
Lee Yuen

## SOUTH AMERICA STANDARD

Plug No. LY-11BR  
Type For Class II appliance  
Std. ABNT NBR NM 60884-1  
Max.Rating 10A, 250V  
Safety Approval NBR



Cable Type	Size	Rating
H03VVH2-F/H03VV-F	2X0.5mm <sup>2</sup>	2.5A 250V
H03VVH2-F/H03VV-F	2X0.75mm <sup>2</sup>	10A 250V
H05VVH2-F/H05VV-F	2X0.75mm <sup>2</sup> -1.0mm <sup>2</sup>	10A 250V





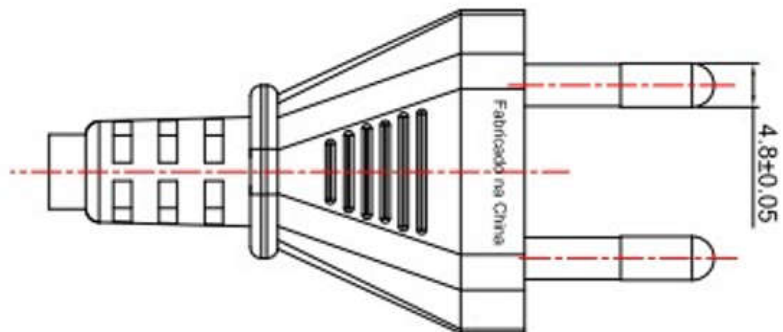
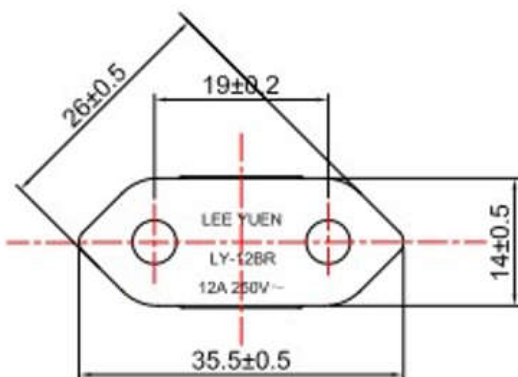
Lee Yuen

## SOUTH AMERICA STANDARD

Plug No. LY-12BR  
Type For Class II appliance  
Std. ABNT NBR NM 60884-1  
Max.Rating 16A 250V  
Safety Approval NBR



Cable Type	Size	Rating
H05VV-F	2X1.5mm <sup>2</sup>	16A 250V





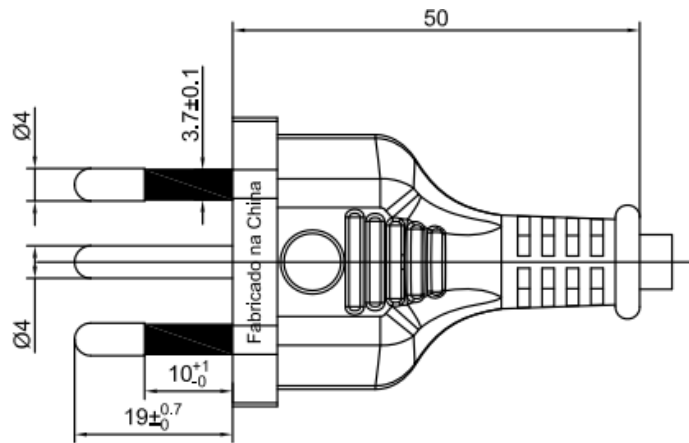
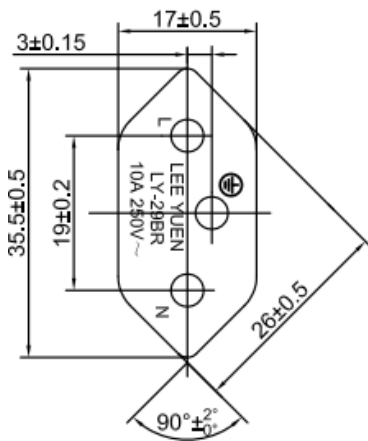
Lee Yuen

## SOUTH AMERICA STANDARD

Plug No. LY-29BR  
 Type For Class I appliance  
 Std. ABNT NBR NM 60884-1  
 Max.Rating 10A, 250V  
 Safety Approval NBR



Cable Type	Size	Rating
H03VV-F	3X0.5mm <sup>2</sup>	2.5A 250V
H03VV-F	3X0.75mm <sup>2</sup>	10A 250V
H05VV-F	3X0.75mm <sup>2</sup> , 3X1.0mm <sup>2</sup>	10A 250V





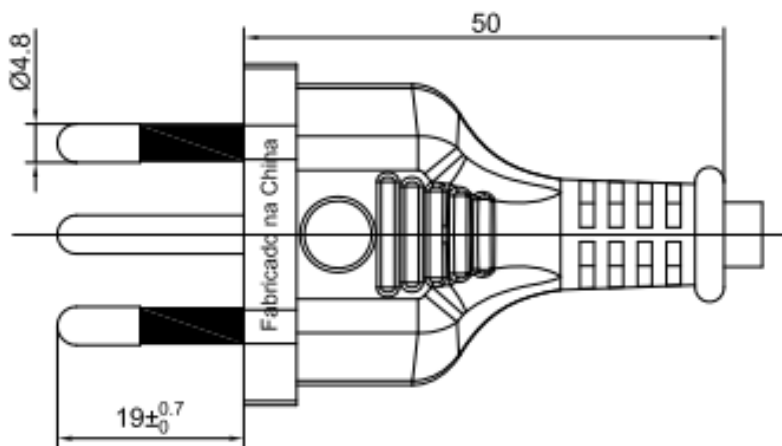
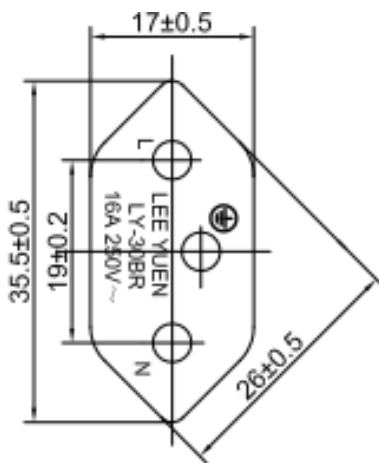
Lee Yuen

### SOUTH AMERICA STANDARD

Plug No. LY-30BR  
 Type For Class I appliance  
 Std. ABNT NBR NM 60884-1  
 Max.Rating 16A, 250V  
 Safety Approval NBR



Cable Type	Size	Rating
H05VV-F	3X1.0mm <sup>2</sup>	12A 250V
H05VV-F	3X1.5mm <sup>2</sup>	16A 250V
H05V2V2-F	3X1.5mm <sup>2</sup>	16A 250V







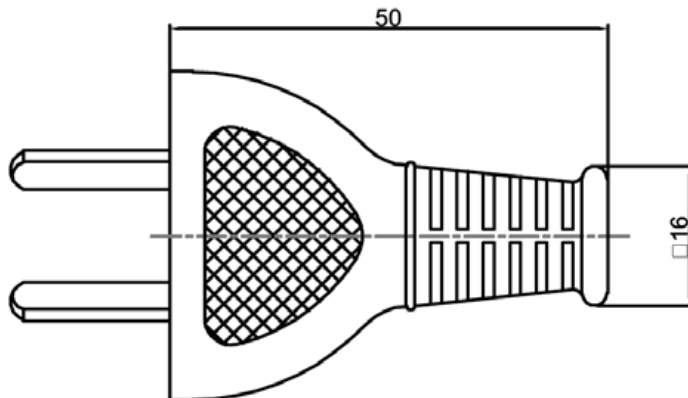
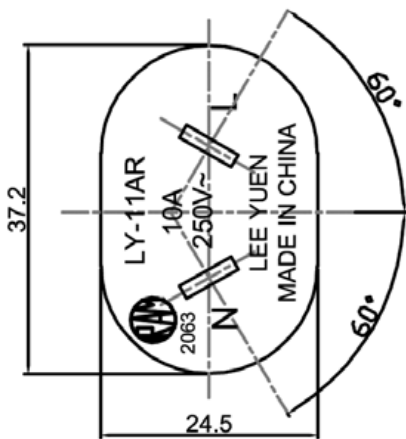
Lee Yuen

## SOUTH AMERICA STANDARD

Plug No. LY-11AR  
Type For Class II Appliance  
Std. IRAM2063, IRAM-NM 60884-1  
Max.Rating 10A, 250V  
Safety Approval IRAM



Cable Type	Size	Rating
H03VV-F/H03VVH2-F/ H05VVH2-F	2X0.75mm <sup>2</sup>	10A 250V
H05VV-F	2X0.75mm <sup>2</sup> ~1.0mm <sup>2</sup>	10A 250V





Lee Yuen

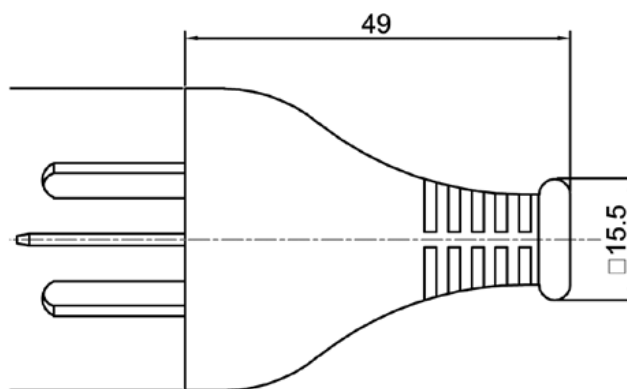
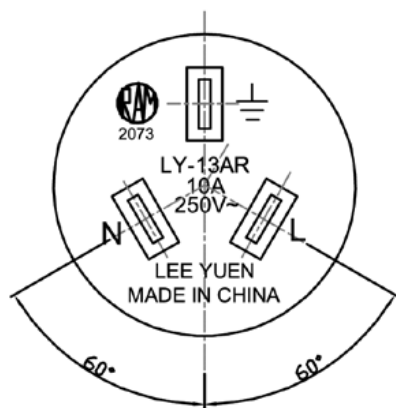


### SOUTH AMERICA STANDARD

Plug No. LY-13AR  
 Type For Class I Appliance  
 Std. IRAM2063, IRAM-NM 60884-1  
 Max.Rating 10A, 250V  
 Safety Approval IRAM



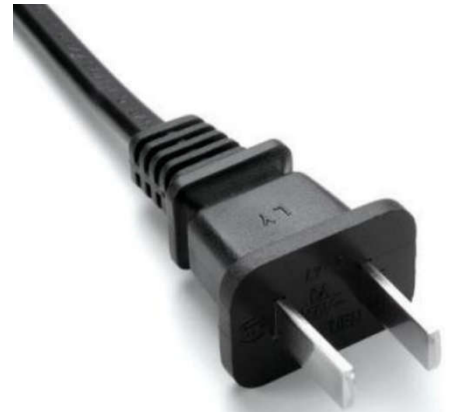
Cable Type	Size	Rating
H03VV-F	3X0.75mm <sup>2</sup>	10A 250V
H05VV-F	3X0.75mm <sup>2</sup> ~1.5mm <sup>2</sup>	10A 250V





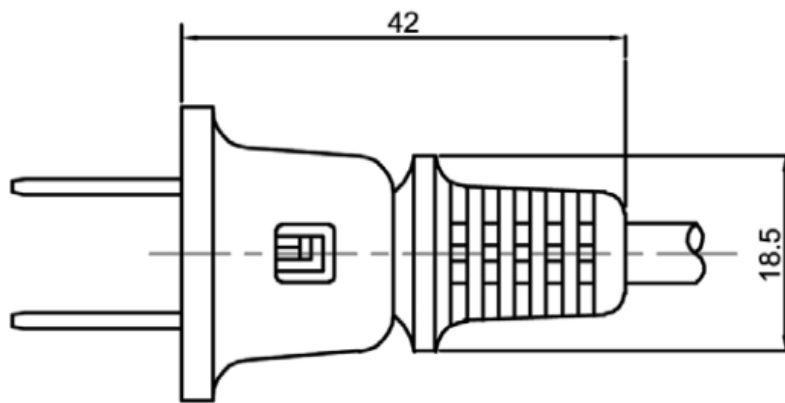
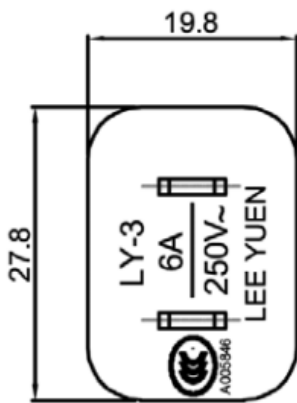
Lee Yuen

# CHINASTANDARD



Plug No. LY-3  
 Type For Class II Appliances  
 Std. GB/T 2099  
 Max.Rating 6A 250V  
 Safety Approval CCC

Cable Type	Size	Rating
60227 IEC52 RVV 300/300V FLAT	2 X0.5mm <sup>2</sup>	2.5A 250V
60227 IEC52 RVV 300/300V FLAT	2 X0.75mm <sup>2</sup>	6A 250V
60227 IEC53 RVV 300/500V FLAT	2X0.75mm <sup>2</sup>	6A 250V





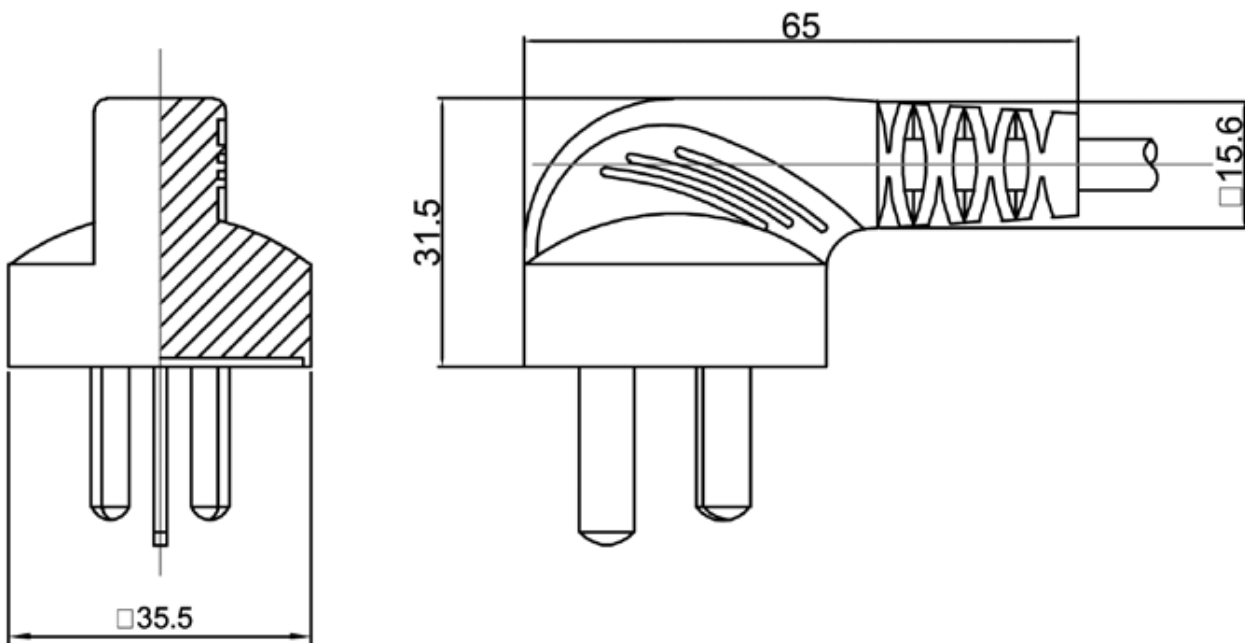
Lee Yuen

CHINASTANDARD

Plug No. LY-3A  
 Type For Class I Appliances  
 Std. GB/T 2099  
 Max.Rating 10A 250V  
 Safety Approval CCC



Cable Type	Size	Rating
60227 IEC52 RVV 300/300V	3X0.75mm <sup>2</sup>	10A 250V
60227 IEC53 RVV 300/500V	3 X0.75mm <sup>2</sup> 3X1.0mm <sup>2</sup>	10A 250V





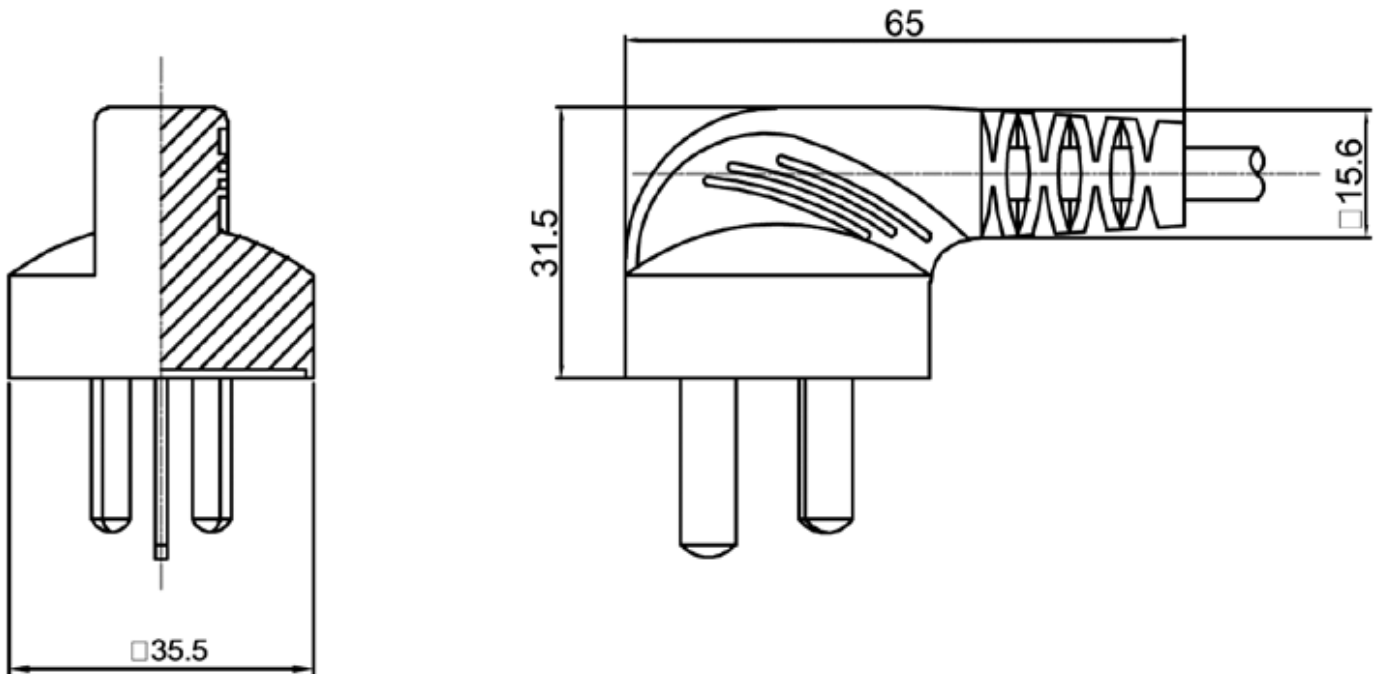
Lee Yuen

## CHINASTANDARD

Plug No. LY-3B  
Type For Class I Appliances  
Std. GB/T 2099  
Max.Rating 6A 250V  
Safety Approval CCC



Cable Type	Size	Rating
60227 IEC52 RVV 300/300V	3 X0.5mm <sup>2</sup> 3X0.75mm <sup>2</sup>	2.5A 250V 6A 250V
60227 IEC53 RVV 300/500V	3 X0.75mm <sup>2</sup>	6A 250V





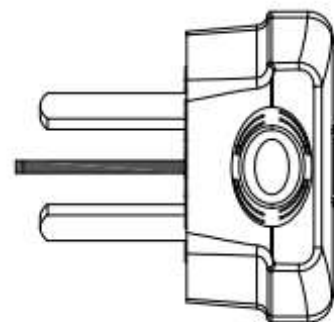
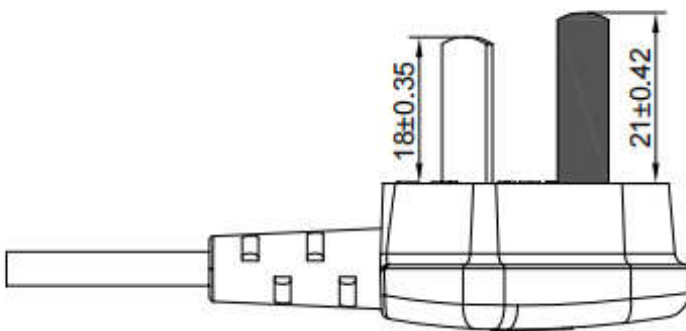
Lee Yuen

# CHINASTANDARD

Plug No. LY-3D  
 Type For Class II Appliances  
 Std. GB/T 2099  
 Max.Rating 10A 250V  
 Safety Approval CCC



Cable Type	Size	Rating
60227 IEC52 RVV 300/300V	2 X0.5mm <sup>2</sup> 2 X0.75mm <sup>2</sup>	2.5A 250V 10A 250V
60227 IEC52 RVV300/300V FLAT	2 X0.5mm <sup>2</sup> 2 X0.75mm <sup>2</sup>	2.5A 250V 10A 250V
60227 IEC53 RVV300/500V	2 X0.75mm <sup>2</sup> 2 X1.0mm <sup>2</sup>	10A 250V
60227 IEC53 RVV300/500V FLAT	2 X0.75mm <sup>2</sup> 2 X1.0mm <sup>2</sup>	10A 250V





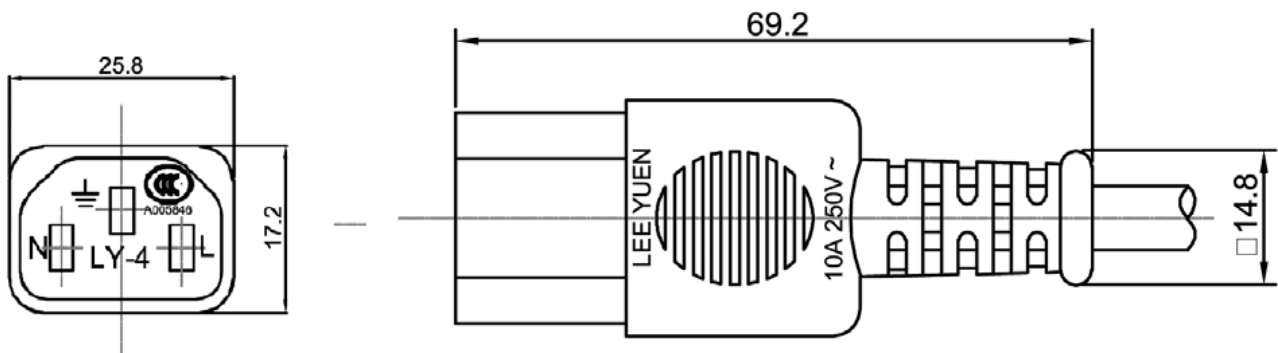
Lee Yuen

## CHINA STANDARD

Plug No.	LY-4
Type	For Class I Appliances
Std.	GB/T 17465
Max. Rating	10A 250V
Safety Approval	CCC



Cable Type	Size	Rating
60227 IEC53 RVV300/500V	3X0.75mm <sup>2</sup>	10A 250V
60227 IEC53 RVV300/500V	3X1.0mm <sup>2</sup>	10A 250V

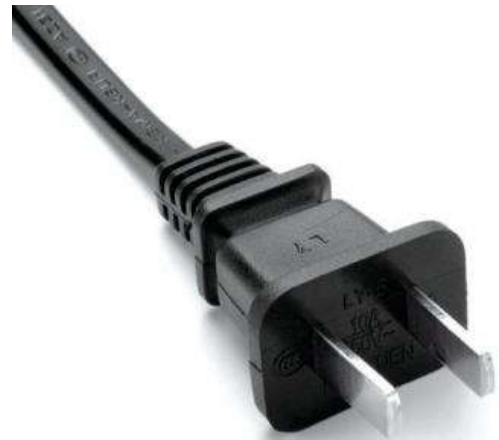




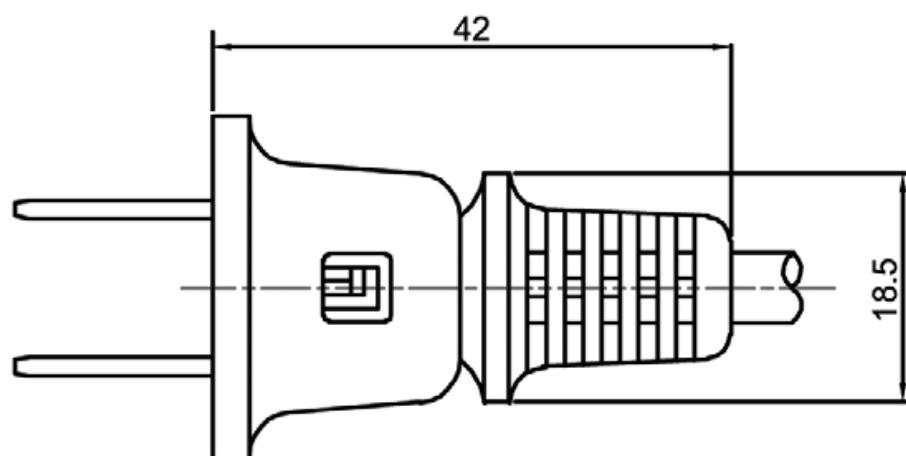
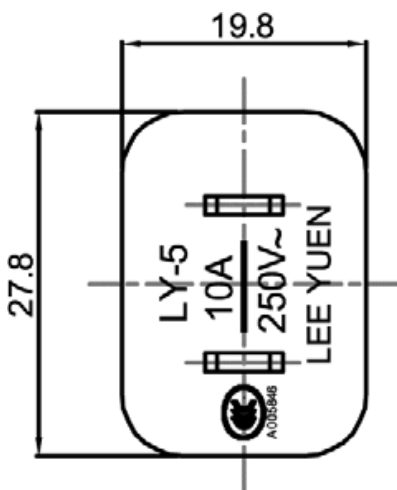
Lee Yuen

## CHINA STANDARD

Plug No.	LY-5
Type	For Class II Appliances
Std.	GB/T 2099
Max.Rating	10A 250V
Safety Approval	CCC



Cable Type	Size	Rating
60227 IEC52 RVV 300/300V FLAT	2X0.75mm <sup>2</sup>	10A 250V
60227 IEC53 RVV 300/500V FLAT	2 X0.75mm <sup>2</sup> 2X1.0mm <sup>2</sup>	10A 250V
60227 IEC53 RVV 300/500V	2 X0.75mm <sup>2</sup> 2X1.0mm <sup>2</sup>	10A 250V







CHINA STANDARD

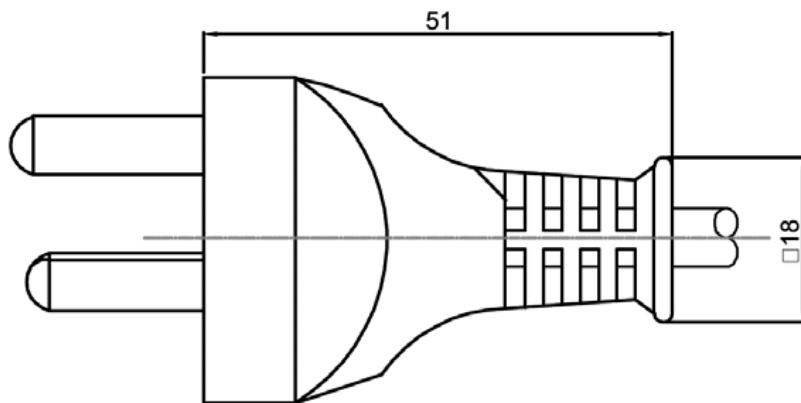
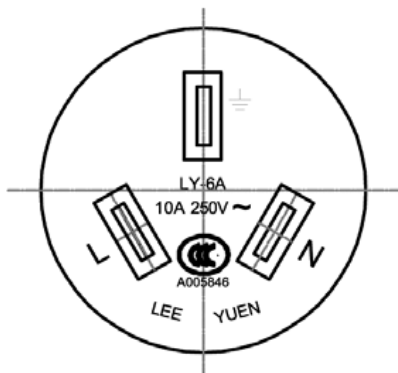


Lee Yuen

Plug No. LY-6A  
 Type For Class I Appliances  
 Std. GB/T 2099  
 Max.Rating 10A 250V  
 Safety Approval CCC



Cable Type	Size	Rating
60227 IEC52 RVV 300/300V	3X0.75mm <sup>2</sup>	10A 250V
60227 IEC53 RVV 300/500V	3 X0.75mm <sup>2</sup> 3 X1.0mm <sup>2</sup>	10A 250V
60227 IEC53 RVV 300/500V	3X0.75mm <sup>2</sup>	10A 250V





Lee Yuen

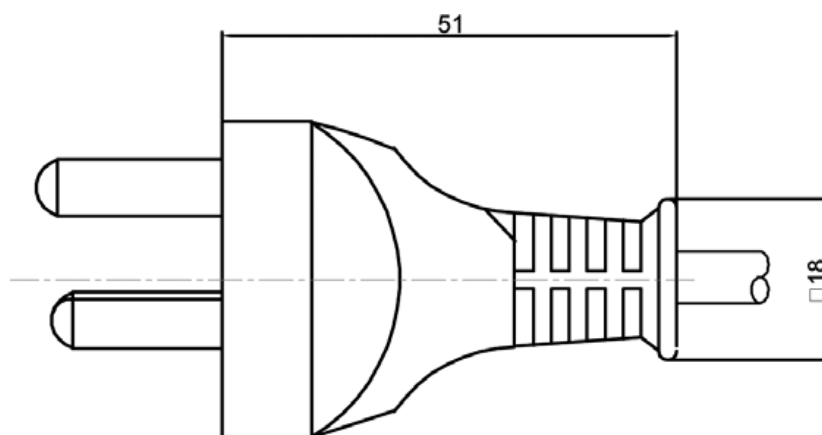
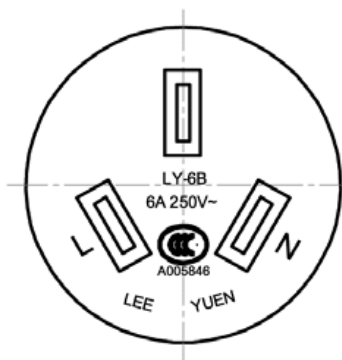


### CHINA STANDARD

Plug No. LY-6B  
 Type For Class I Appliances  
 Std. GB/T 2099  
 Max.Rating 6A 250V  
 Safety Approval CCC



Cable Type	Size	Rating
60227 IEC52 RVV 300/300V	3X0.5mm <sup>2</sup> 3X0.75mm <sup>2</sup>	2.5A 250V 6A 250V
60227 IEC53 RVV 300/500V	3 X0.75mm <sup>2</sup>	6A 250V





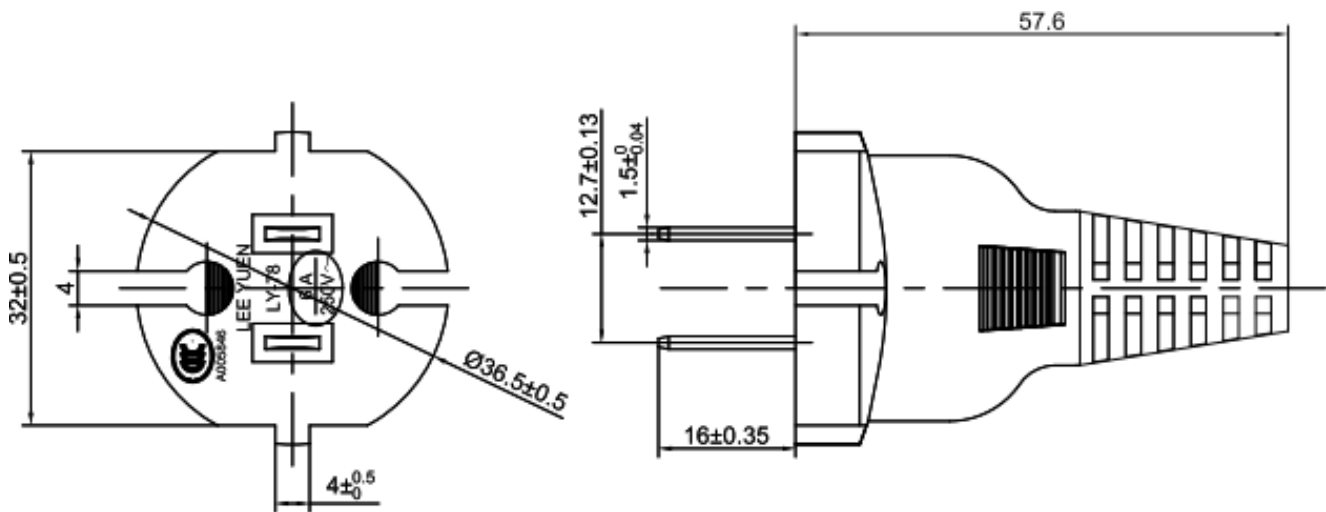
Lee Yuen

# CHINA STANDARD

Plug No. LY-78  
 Type For Class II Appliances  
 Std. GB/T 2099  
 Max. Rating 10A 250V  
 Safety Approval CCC



Cable Type	Size	Rating
60227 IEC52 RVV300/300V FLAT	2X0.75mm <sup>2</sup>	10A250V
60227 IEC53 RVV300/500V FLAT	2X0.75mm <sup>2</sup>	10A250V
60227 IEC53 RVV300/500V	2X1.0mm <sup>2</sup>	10A250V
60227 IEC52 RVV300/300V FLAT	2X0.75mm <sup>2</sup>	10A250V





Lee Yuen

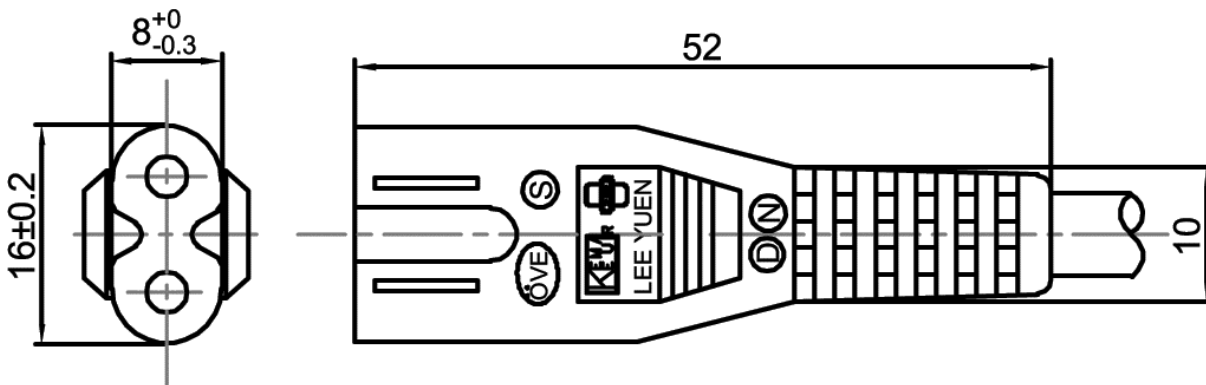
## CHINA STANDARD

Plug No. LY-22  
 Type  
 Std. GB/T 17465  
 Max.Rating 2.5A 250V  
 Safety Approval CCC



Remarks: only available as in cord set

Cable Type	Size	Rating
60227 IEC52 RVV300/300V FLAT	2X0.5mm <sup>2</sup>	2.5A250V
60227 IEC52 RVV300/300V FLAT	2X0.75mm <sup>2</sup>	2.5A250V
60227 IEC52 RVV300/500V	2X0.75mm <sup>2</sup>	2.5A250V

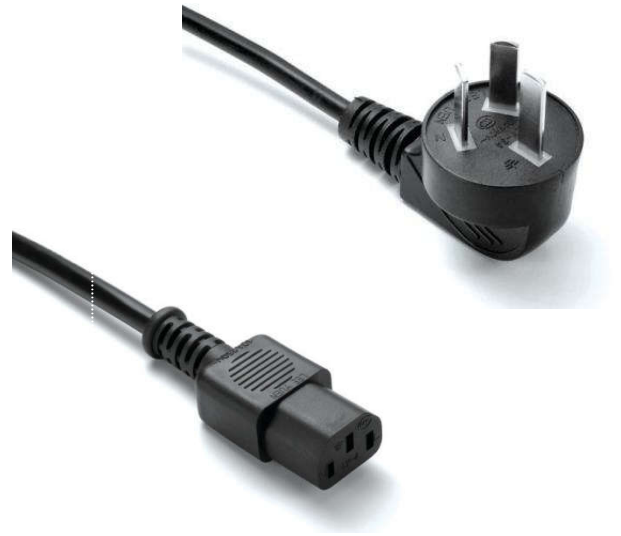




Lee Yuen

## CHINA STANDARD

Plug No. LY-3A / LY-4  
Type For Class I Appliances  
Std. GB/T 15934  
Max.Rating 10A250V  
Safety Approval CCC



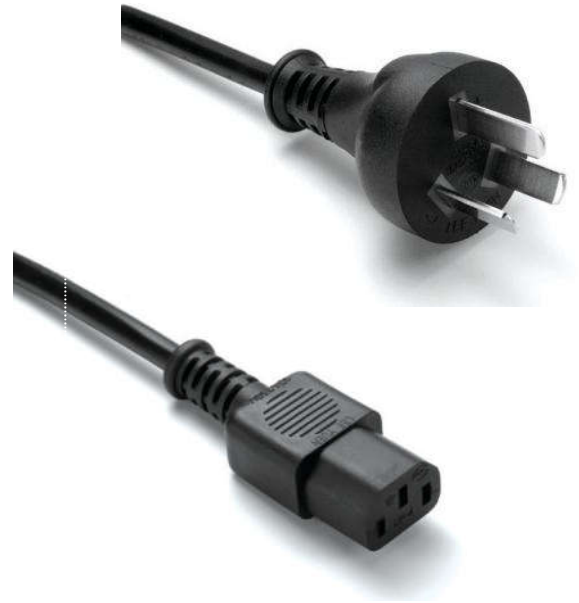
Cable Type	Size	Rating
60227 IEC53RVV300/500V	3X0.75mm <sup>2</sup>	10A250V
60227 IEC53RVV300/500V	3X1.0mm <sup>2</sup>	10A250V



Lee Yuen

## CHINA STANDARD

Plug No. LY-6A / LY-4  
Type For Class I Appliances  
Std. GB/T 15934  
Max.Rating 10A250V  
Safety Approval CCC



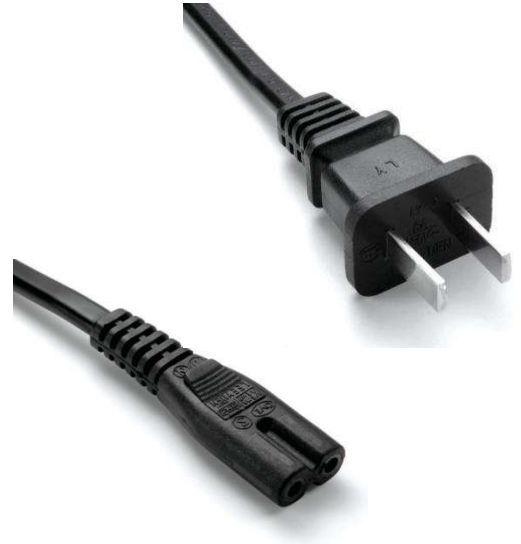
Cable Type	Size	Rating
60227 IEC53RVV300/500V	3X0.75mm <sup>2</sup>	10A250V
60227 IEC53RVV300/500V	3X1.0mm <sup>2</sup>	10A250V



Lee Yuen

*CHINA STANDARD*

Plug No. LY-5 / LY-22  
Type For Class II Appliances  
Std. GB/T 15934  
Max.Rating 2.5A250V  
Safety Approval CCC



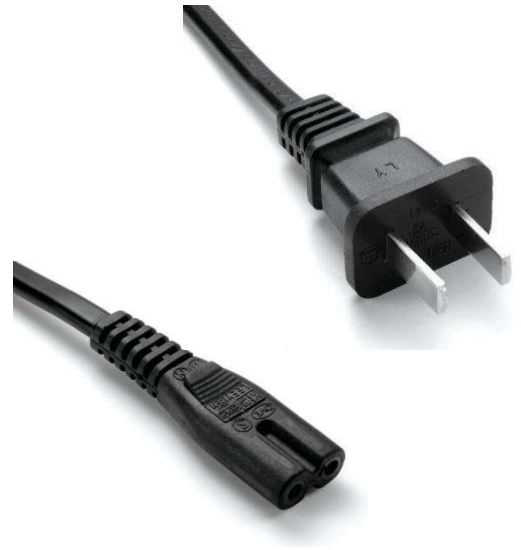
Cable Type	Size	Rating
60227 IEC52RVV300/300V FLAT	2X0.75mm <sup>2</sup>	2.5A250V
60227 IEC53RVV300/500V FLAT	2X0.75mm <sup>2</sup>	2.5A250V



Lee Yuen

## CHINA STANDARD

Plug No.	LY-3 / LY-22
Type	For Class II Appliances
Std.	GB/T 15934
Max.Rating	2.5A250V
Safety Approval	CCC



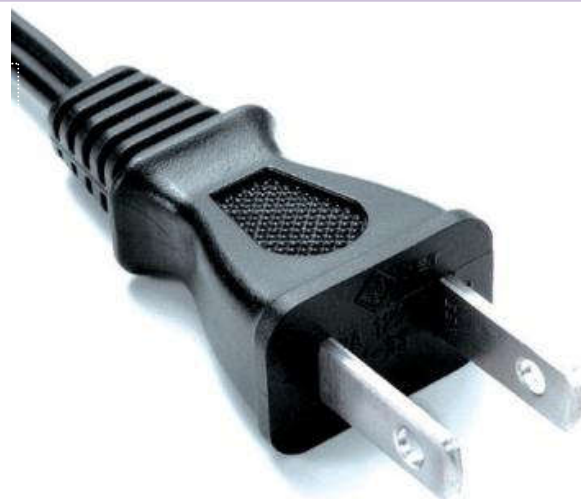
Cable Type	Size	Rating
60227 IEC52RVV300/300V FLAT	2X 0.5-0.75mm <sup>2</sup>	2.5A250V
60227 IEC53RVV300/500V FLAT	2X0.75mm <sup>2</sup>	2.5A250V



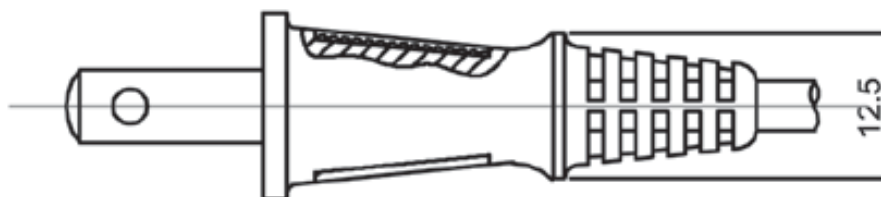
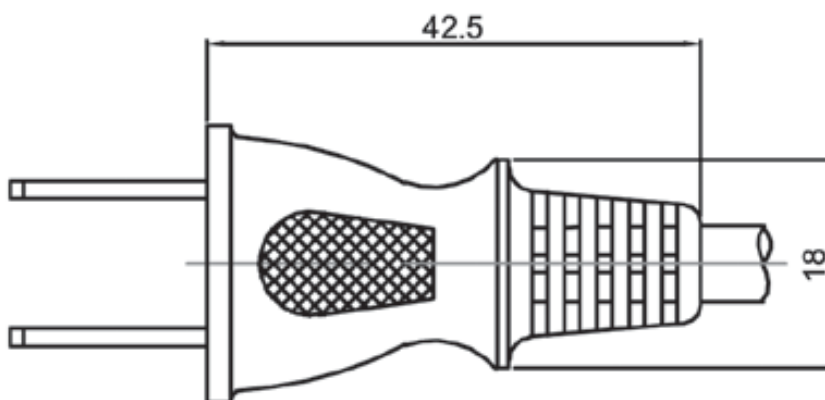
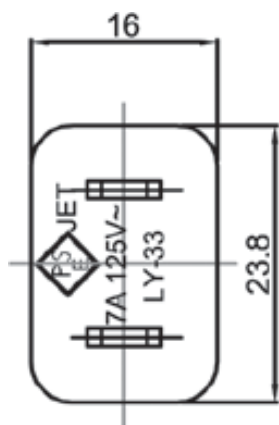


### JAPAN STANDARD

Plug No. LY-33  
 Type For Class II Appliances  
 Std. JISC8303& JISC8306  
 Max.Rating 7A 125V  
 Safety Approval PSE



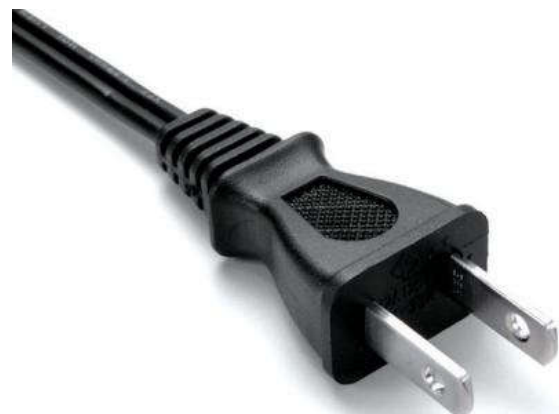
Cable Type	Size	Rating
VFF/HVFF/VCTFK/ HVCTFK/VCTF/HVCTF/ H03VVH2- F/HHFF	2X0.75mm <sup>2</sup>	7A 125V



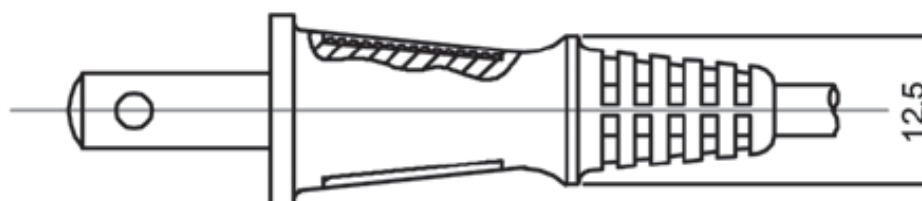
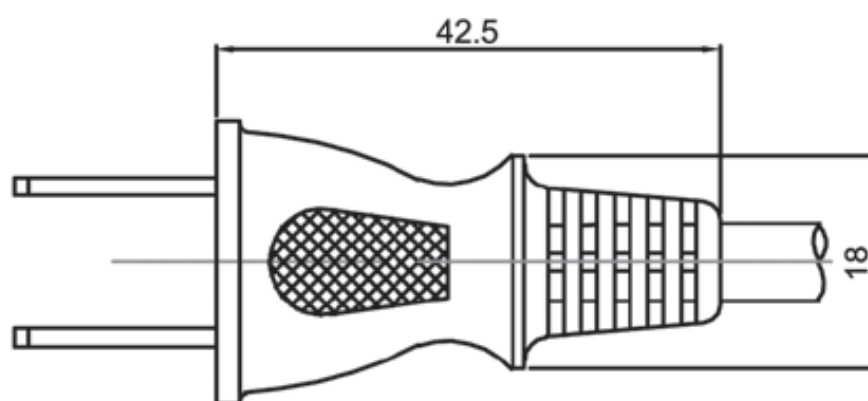
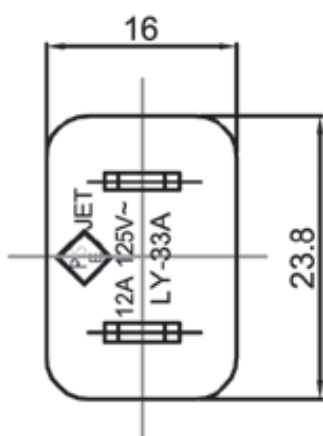


### JAPAN STANDARD

Plug No. LY-33A  
 Type For Class II Appliances  
 Std. JISC8303& JISC8306  
 Max.Rating 12A 125V  
 Safety Approval PSE



Cable Type	Size	Rating
VFF/HVFF/VCTFK/ HVCTFK/VCTF/HVCTF/HHFF	2X1.25mm <sup>2</sup>	12A 125V



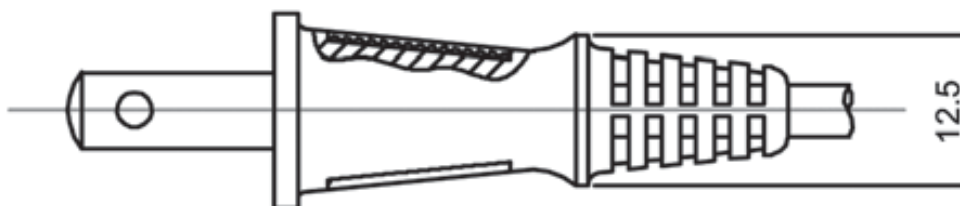
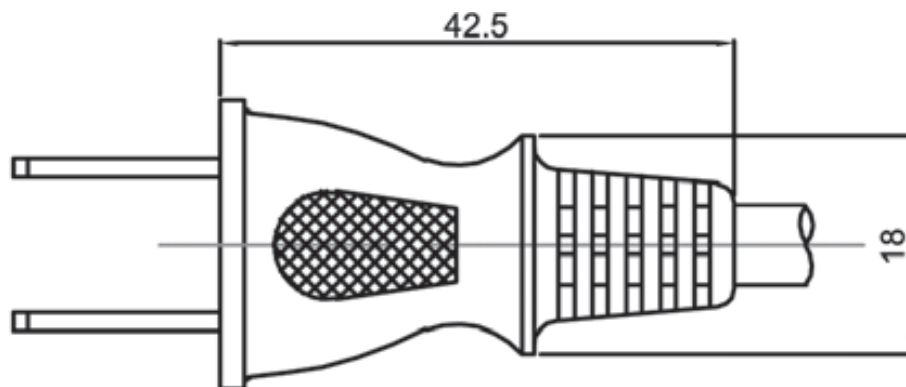
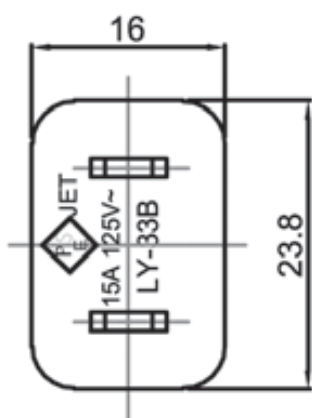


# JAPAN STANDARD



Plug No. LY-33B  
 Type For Class II Appliances  
 Std. JISC8303& JISC8306  
 Max.Rating 15A 125V  
 Safety Approval PSE

Cable Type	Size	Rating
VFF/HVFF/VCTFK/HVCTFK/VCTF/HVCTF/ HHFF	2X2.0mm <sup>2</sup>	15A 125V



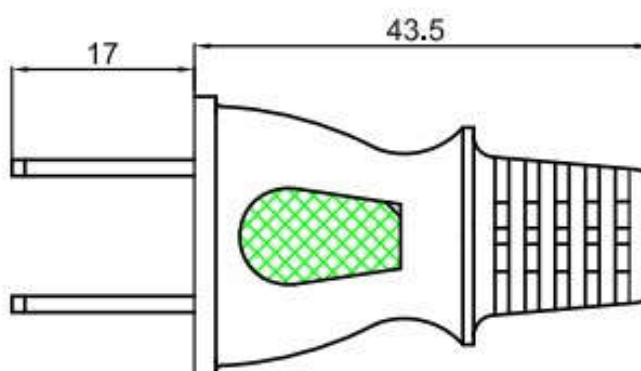
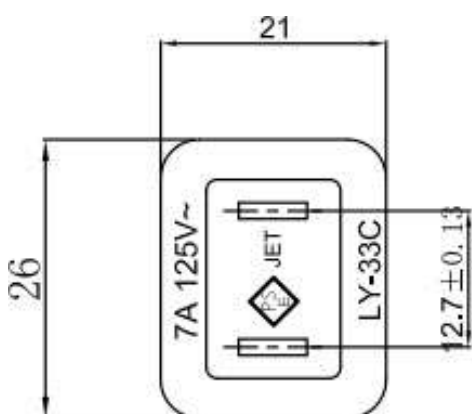


### JAPAN STANDARD

Plug No. LY-33C  
 Type For Class II Appliances  
 Std. JISC8303& JISC8306  
 Max.Rating 7A 125V  
 Safety Approval PSE



Cable Type	Size	Rating
VFF/HVFF/VCTFK/ HVCTFK/VCTF/HVCTF/ H03VVH2- F/HHFF	2X0.75mm <sup>2</sup>	7A 125V



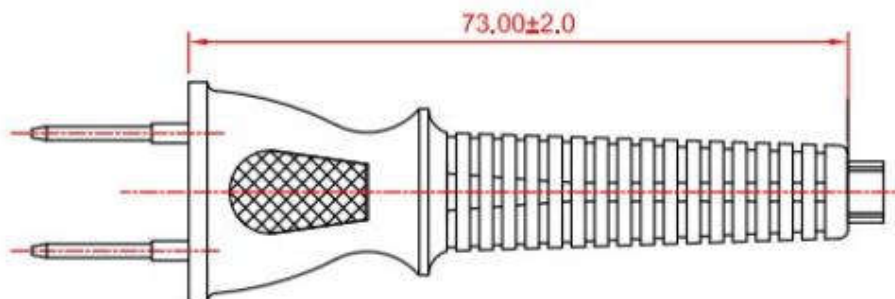
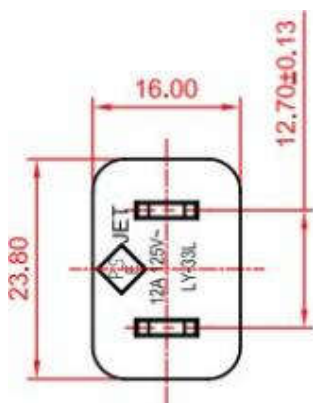


# JAPAN STANDARD



Plug No. LY-33L  
 Type For Class II Appliances  
 Std. JISC8303& JISC8306  
 Max.Rating 15A 125V  
 Safety Approval PSE

Cable Type	Size	Rating
VFF/HVFF/VCTFK	2X0.75mm <sup>2</sup>	7A 125V
HVCTFK/VCTF	2X1.25mm <sup>2</sup>	12A 125V
HVCTF /HHFF	2X2.0mm <sup>2</sup>	15A 125V
H03VVH2-F	2X0.75mm <sup>2</sup>	7A 125V



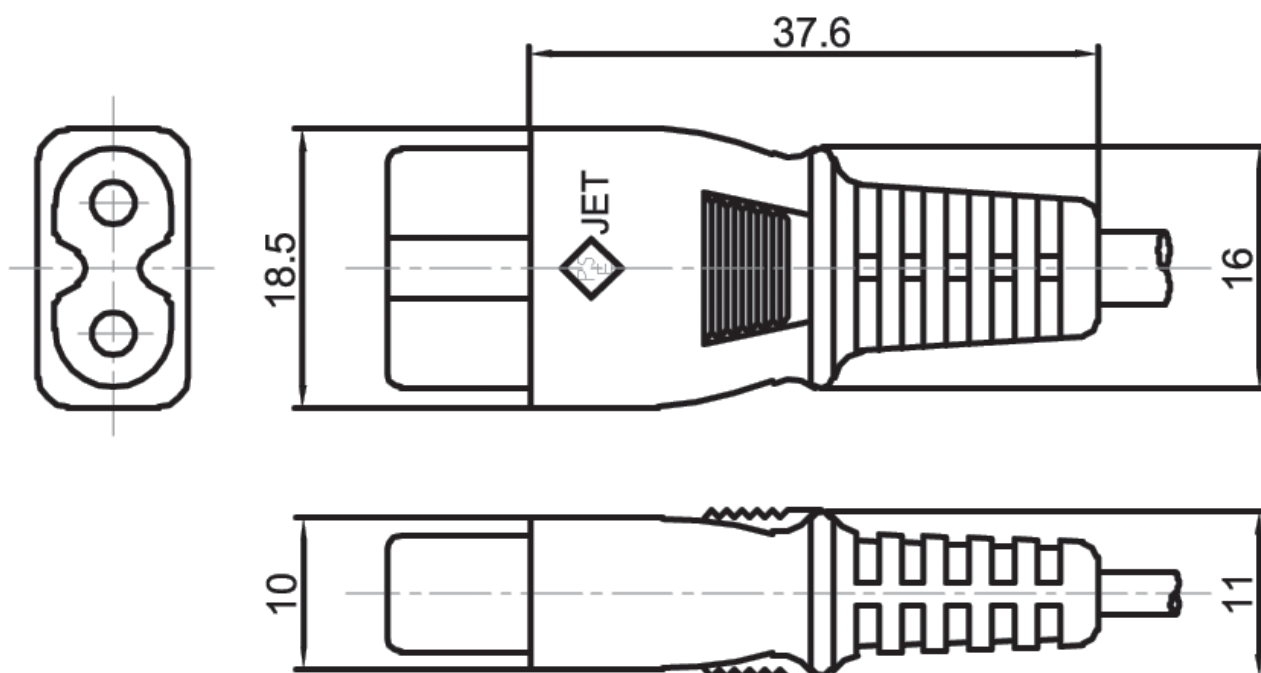


JAPAN STANDARD



Plug No. LY-34  
 Type For Class II Appliances  
 Std. JISC8303& JISC8306  
 Max.Rating 15A 125V  
 Safety Approval PSE

Cable Type	Size	Rating
VFF/HVFF/VCTFK/ HVCTFK/VCTF/HVCTF/ H03VVH2- F/HHFF	2X0.75mm <sup>2</sup>	7A 125V



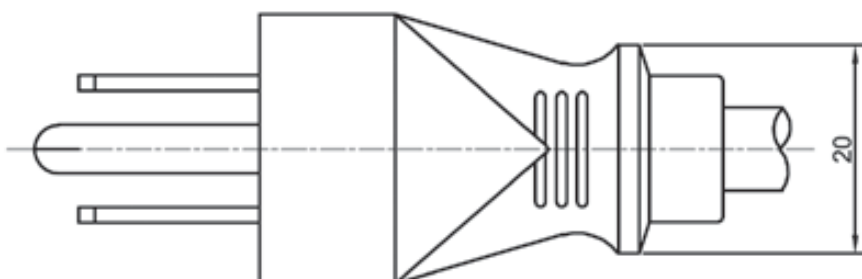
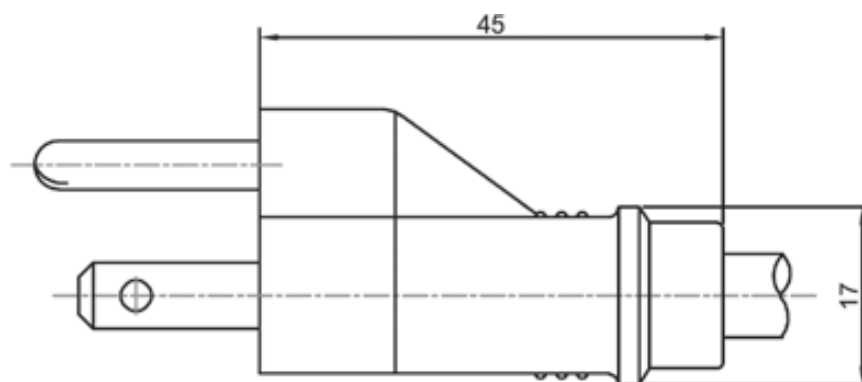
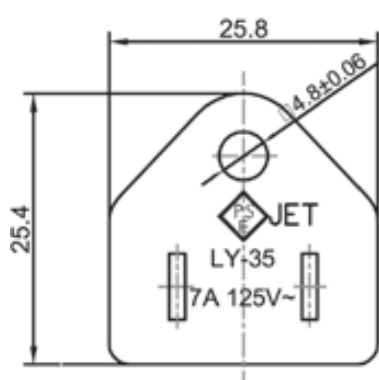


### JAPAN STANDARD

Plug No. LY-35  
 Type For Class I Appliances  
 Std. JISC8303& JISC8306  
 Max.Rating 7A 125V  
 Safety Approval PSE



Cable Type	Size	Rating
VCTF/HVCTF/HVCT/ VCT	3X0.75mm <sup>2</sup>	7A 125V



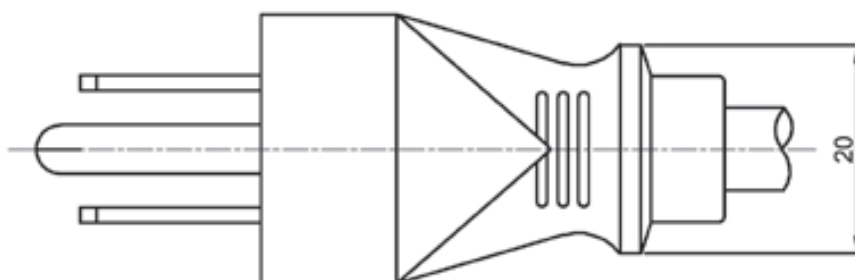
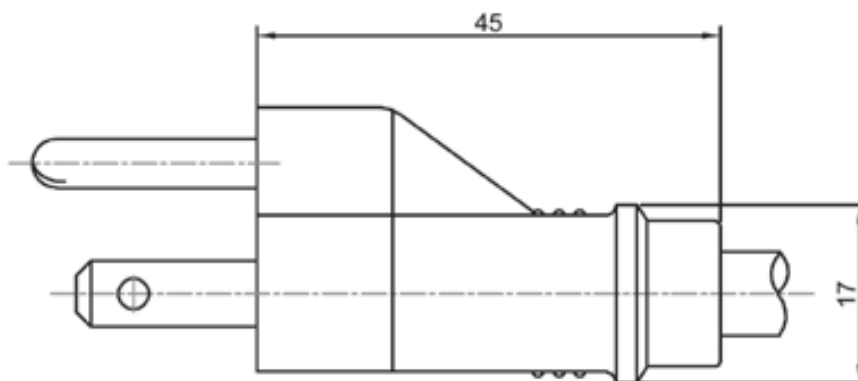
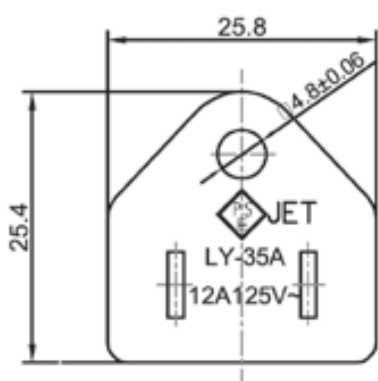


### JAPAN STANDARD



Plug No. LY-35A  
 Type For Class I Appliances  
 Std. JISC8303& JISC8306  
 Max.Rating 12A 125V  
 Safety Approval PSE

Cable Type	Size	Rating
VCTF/HVCTF/HVCT/ VCT	3X1.25mm <sup>2</sup>	12A 125V





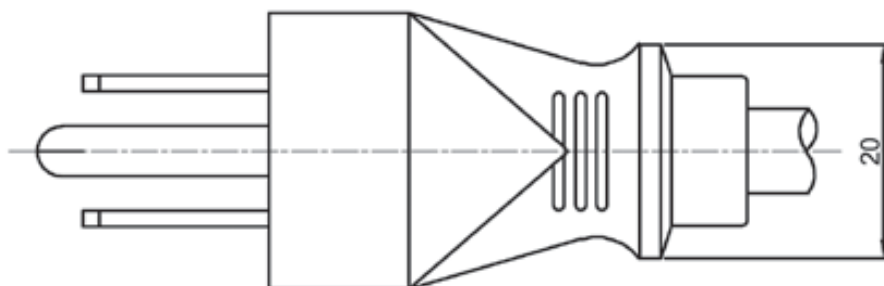
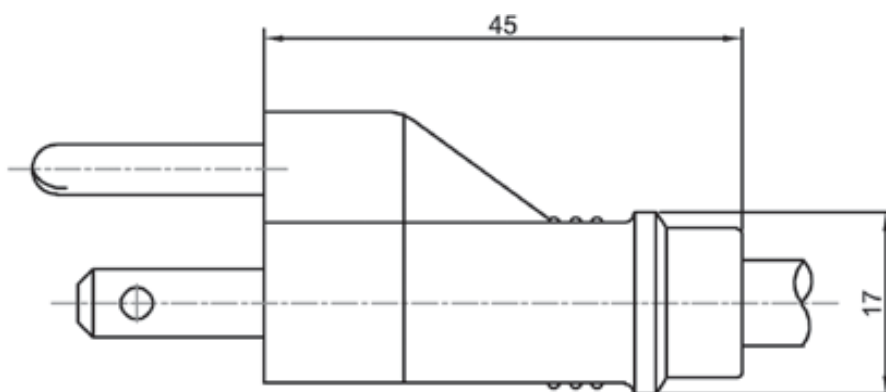
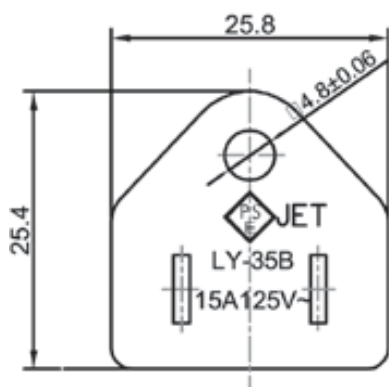


# JAPAN STANDARD

Plug No. LY-35B  
 Type For Class I Appliances  
 Std. JISC8303& JISC8306  
 Max.Rating 15A 125V  
 Safety Approval PSE



Cable Type	Size	Rating
VCTF/HVCTF/HVCT/ VCT	3X2.00mm <sup>2</sup>	15A 125V



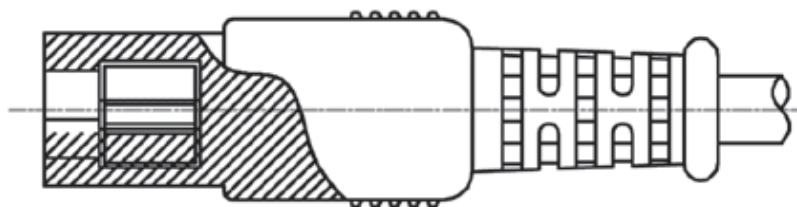
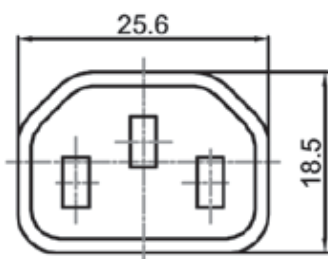
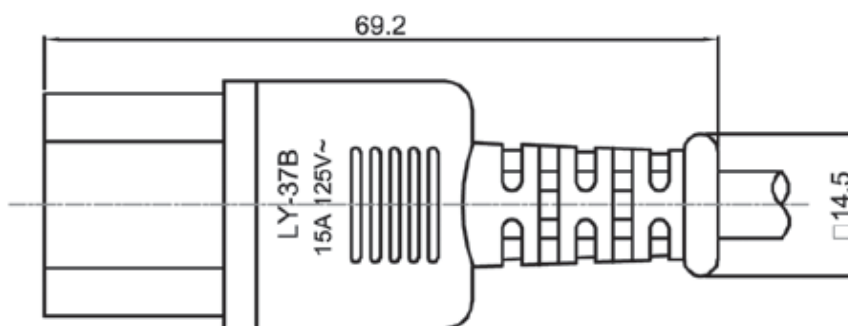


### JAPAN STANDARD

Plug No. LY-37B  
 Type C13  
 Std. IEC 60320  
 Max.Rating 15A 125V  
 Safety Approval PSE



Cable Type	Size	Rating
VCTF/HVCTF/HVCT/ VCT	3X2.00mm <sup>2</sup>	15A 125V



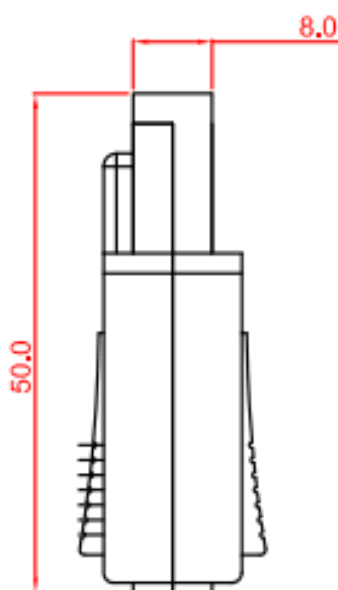
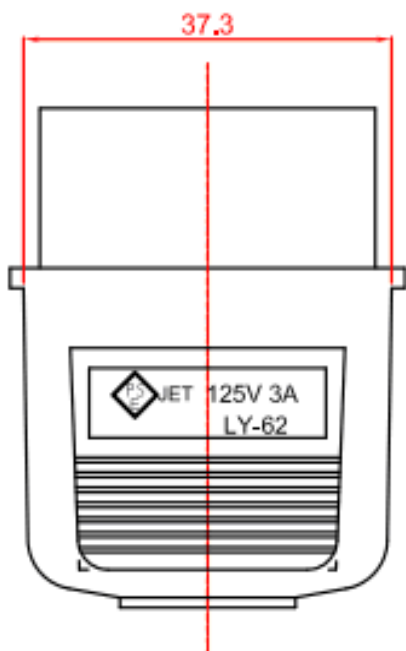
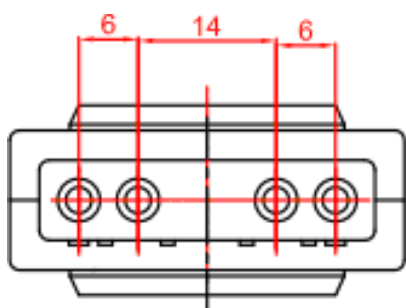


### JAPAN STANDARD

Plug No. LY-62  
Type C13  
Max.Rating 3A 125V



Cable Type	Size	Rating
VFF	2X0.50+2X0.75mm <sup>2</sup>	3A 125V



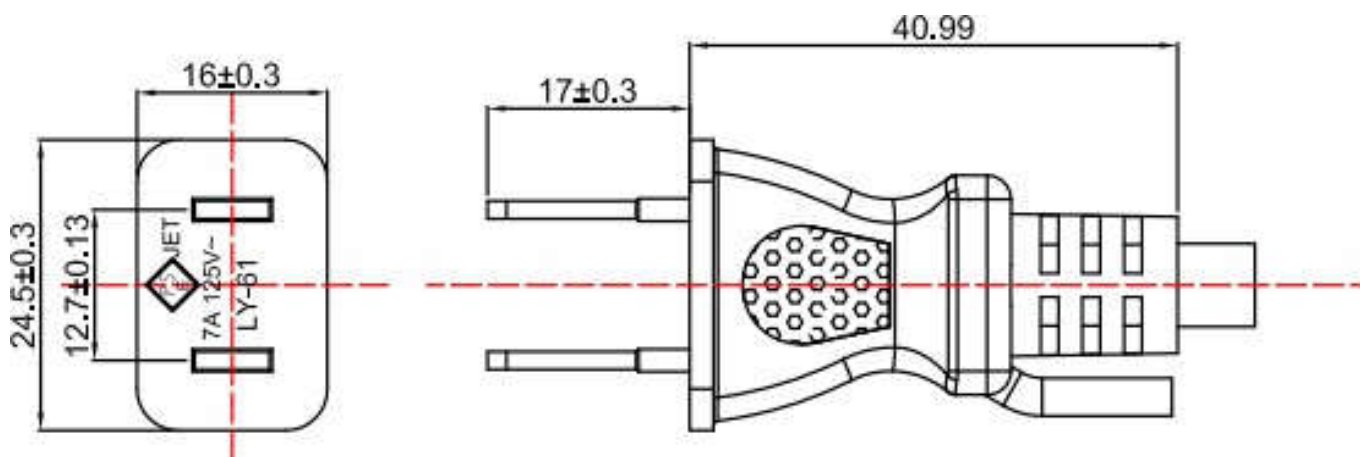


### JAPAN STANDARD

Plug No. LY-61  
 Type For Class I Appliances  
 Std. JIS C8303& JIS C8306  
 Max.Rating 7A 125V  
 Safety Approval PSE



Cable Type	Size	Rating
VCTF/HVCTF	3X0.75mm <sup>2</sup>	7A 125V



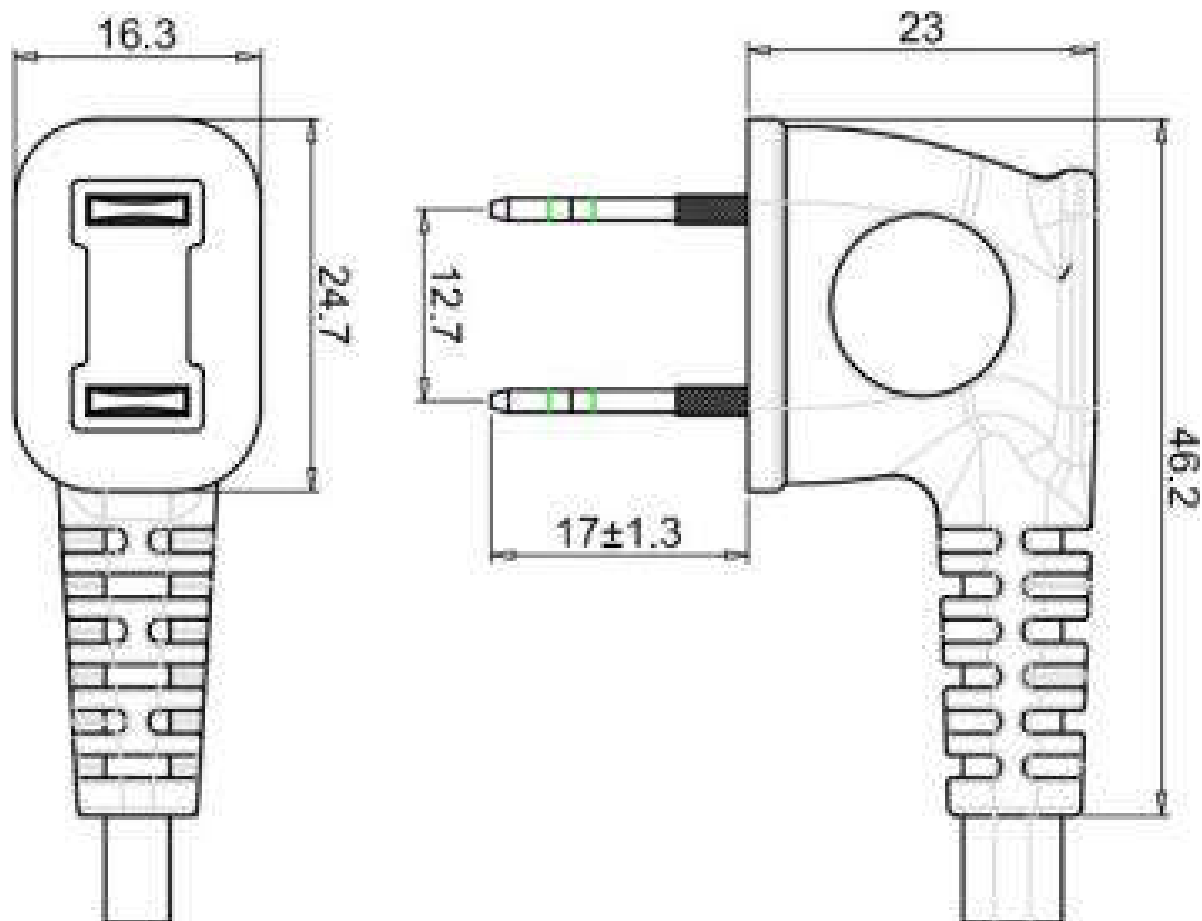


### JAPAN STANDARD

Plug No. LY-33R  
 Type For Class II Appliances  
 Std. JIS C8303& JIS C8306  
 Max.Rating 7A 125V  
 Safety Approval PSE



Cable Type	Size	Rating
VCTFK/HVCTFK/VFF/HVFF/HHFF	2X0.75mm <sup>2</sup>	7A 125V





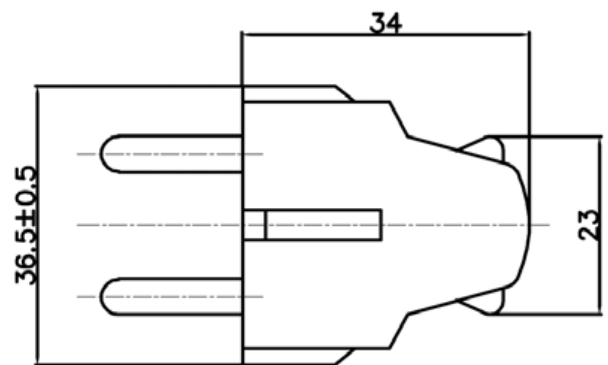
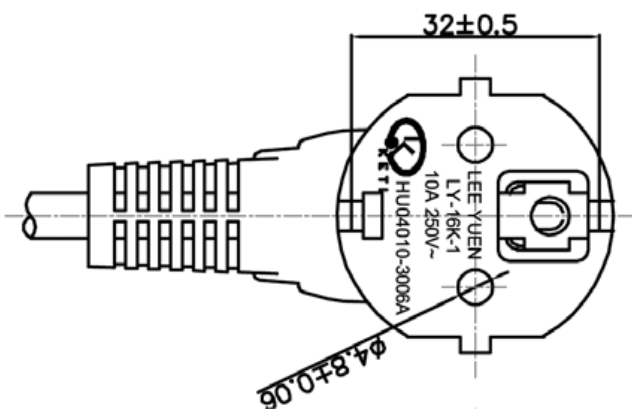
Lee Yuen

### KOREA STANDARD

Plug No. LY-16  
 Type For Class I Appliances  
 Std. K60884-1, KSC 8305  
 Max. Rating 16A 125V  
 Safety Approval KC



Cable Type	Size	Rating
H03VV-F/H03V2V2-F	3X0.75mm <sup>2</sup>	16A 250V
H05VV-F	3X0.75~1.5mm <sup>2</sup>	16A 250V
H05RR-F/ H05RN-F	3X0.75~1.0mm <sup>2</sup>	16A 250V
H05V2V2-F	3X0.75~1.5mm <sup>2</sup>	16A 250V





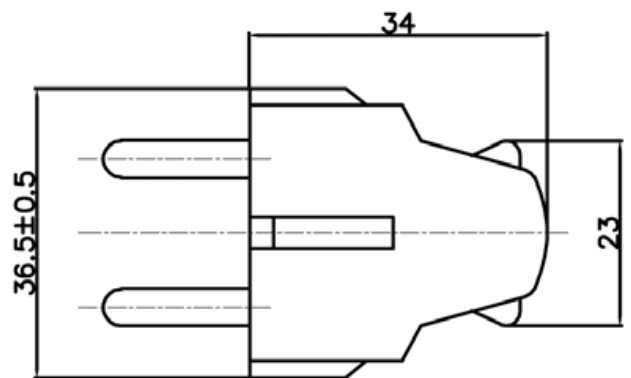
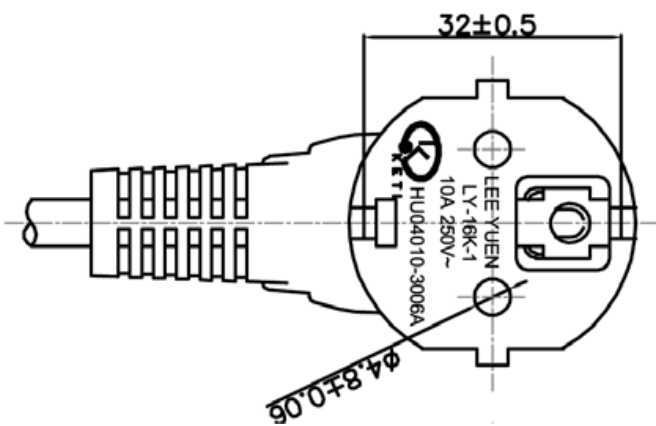
Lee Yuen

### KOREA STANDARD

Plug No. LY-16-1  
 Type For Class I Appliances  
 Std. K60884-1, KSC 8305  
 Max. Rating 10A 250V  
 Safety Approval KC



Cable Type	Size	Rating
H05VV-F	3X0.75mm <sup>2</sup>	10A 250V
H05VV-F	3X1.0mm <sup>2</sup>	10A 250V

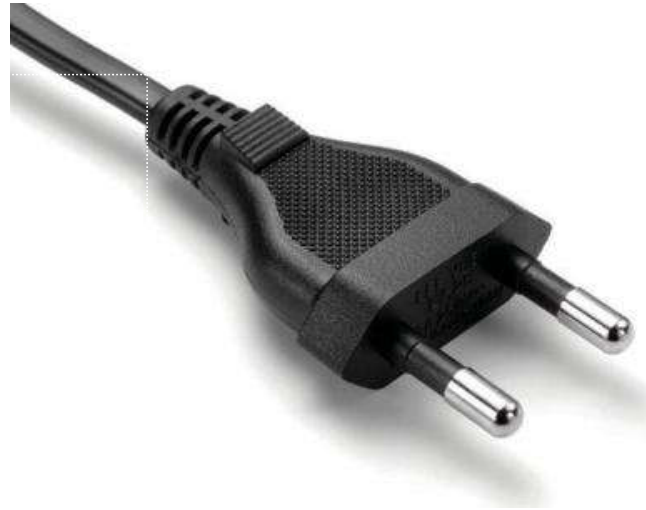




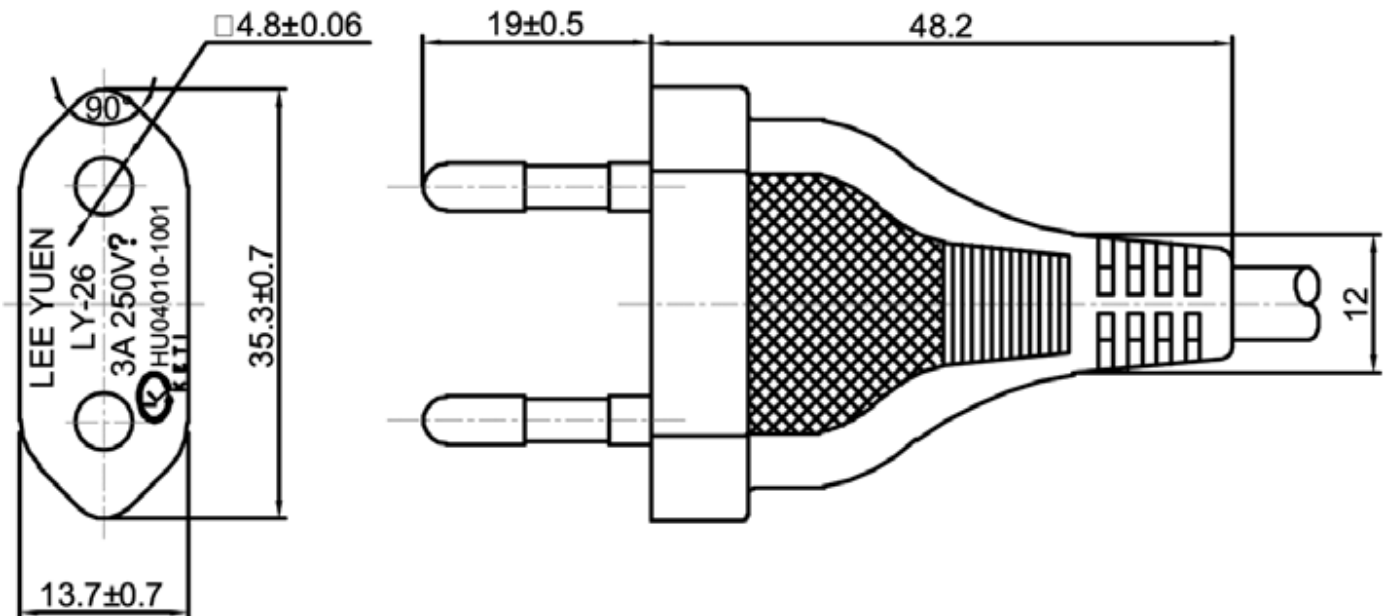
Lee Yuen

### KOREA STANDARD

Plug No. LY-26B  
 Type For Class II Appliances  
 Std. K60884-1, KSC 8305  
 Max. Rating 2.5A 250V  
 Safety Approval KC



Cable Type	Size	Rating
H03VVH2-F	2X0.50mm <sup>2</sup> (MAX 2.0m)	2.5A 250V
H03VVH2-F/ H05VVH2-F	2X0.75mm <sup>2</sup>	2.5A 250V
H05VVH2-F	2X1.00mm <sup>2</sup>	2.5A 250V







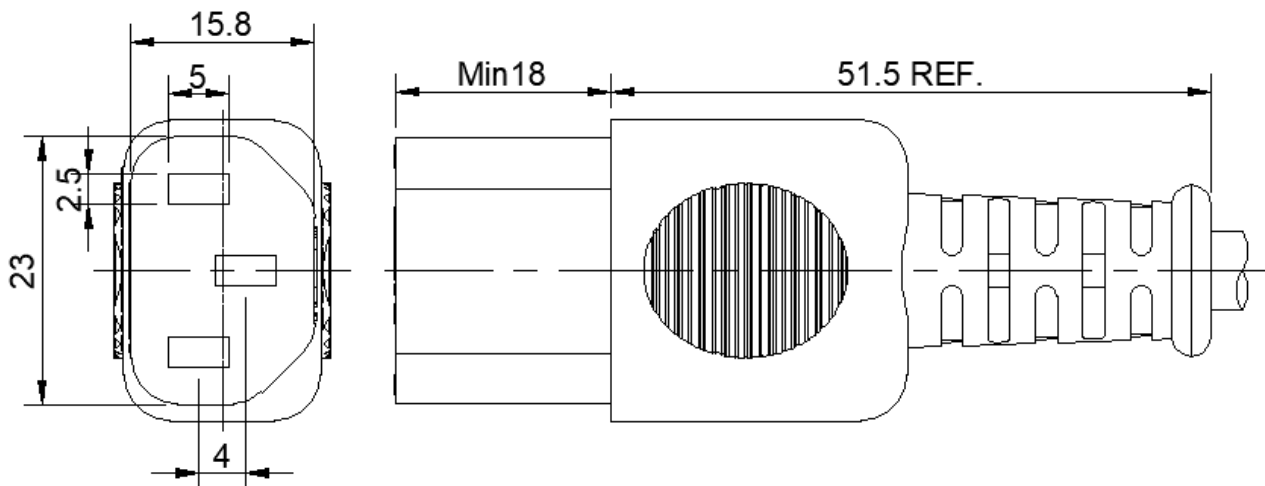
Lee Yuen

## KOREA STANDARD

Plug No. LY-18  
Type C13  
Std. K60320-1  
Max.Rating 10A250V  
Safety Approval KC



Cable Type	Size	Rating
H05VV-F	3X0.75mm <sup>2</sup> (MAX 2m)	10A250V
H05VV-F	3X1.0mm <sup>2</sup>	10A250V





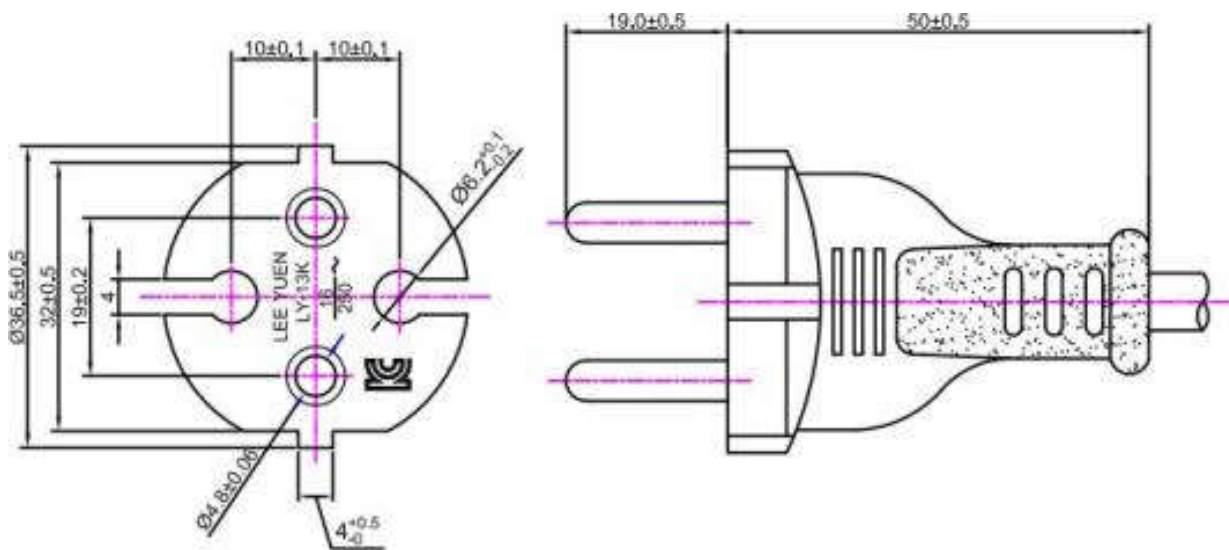
Lee Yuen

### KOREA STANDARD

Plug No. LY-13K  
 Type  
 Std. K60884-1, KSC8305  
 Max. Rating 10A250V  
 Safety Approval KC



Cable Type	Size	Rating
H03VVH2-F	2X0.75mm <sup>2</sup>	10A250V
H05VVH2-F	2X0.75mm <sup>2</sup>	10A250V
H05VV-F	2X0.75mm <sup>2</sup>	10A250V
H05VV-F	2X1.0mm <sup>2</sup>	10A250V
H05VV-F	2X1.5mm <sup>2</sup>	10A250V





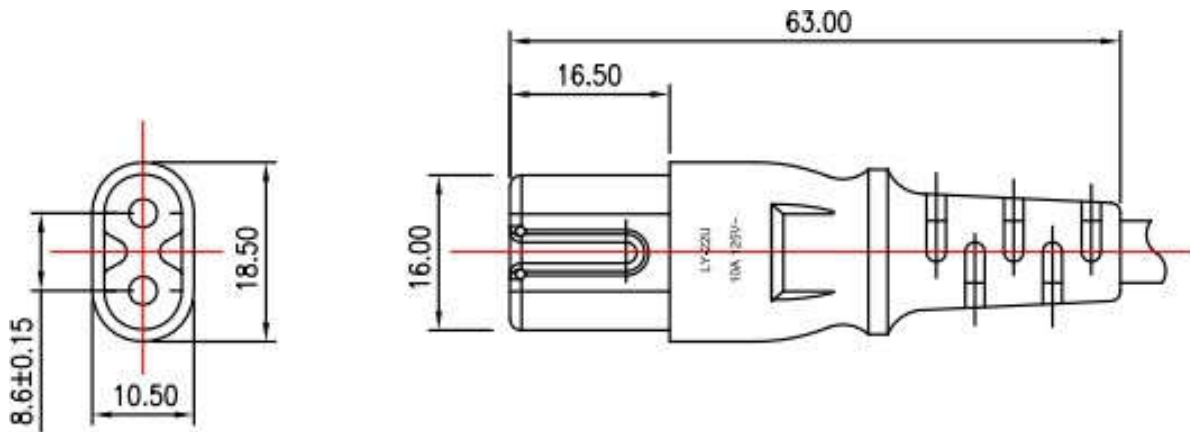
Lee Yuen

## KOREA STANDARD

Plug No. LY-22V  
Type C7  
Std. K60320-1  
Max.Rating 2.5A 250V  
Safety Approval KC



Cable Type	Size	Rating
H05VVH2-F	2X0.75mm <sup>2</sup>	2.5A 250V~
H03VVH2-F	2X0.5~0.75mm <sup>2</sup>	2.5A 250V~





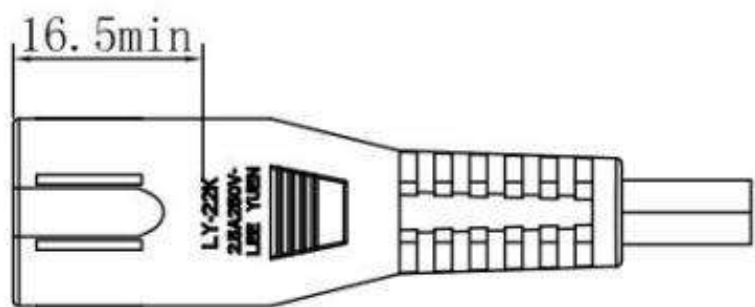
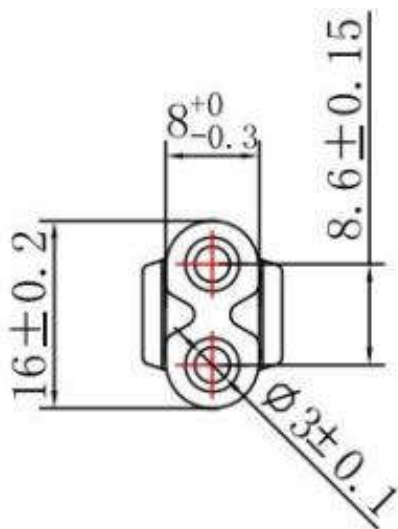
Lee Yuen

### KOREA STANDARD

Plug No. LY-22K  
 Type C7  
 Std. K60320-1  
 Max.Rating 2.5A 250V  
 Safety Approval KC



CableType	Size	Rating
H03VVH2-F/H03VV-F	2X0.50mm <sup>2</sup> (MAX2.0m)	2.5A250V
H03VVH2-F	2X0.75mm <sup>2</sup>	2.5A250V





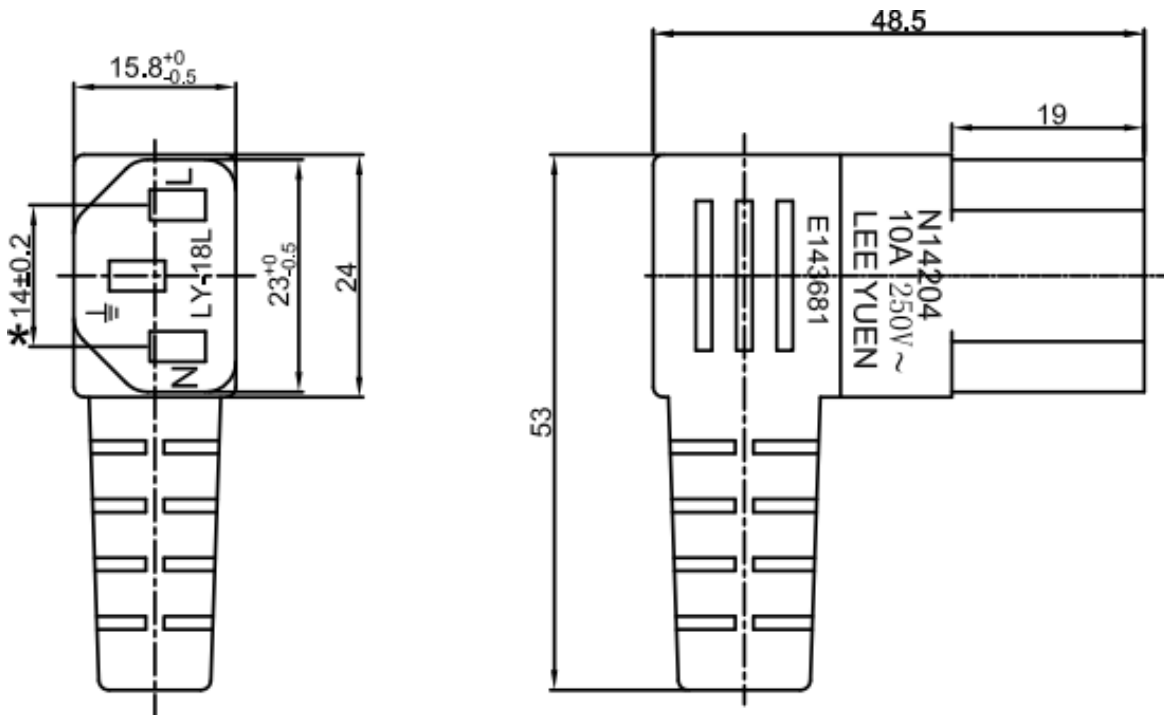
Lee Yuen

**KOREA STANDARD**

Plug No. LY-18L  
 Type C13  
 Std. K60320-1  
 Max.Rating 10A250V  
 Safety Approval KC



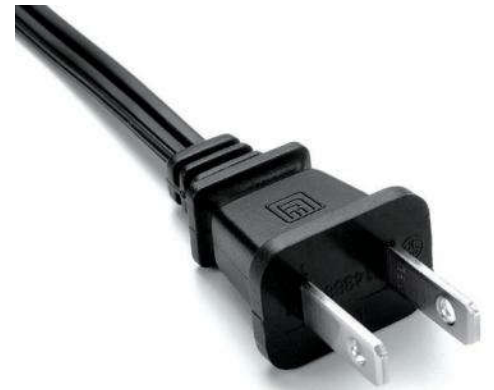
CableType	Size	Rating
H05VV-F	3X0.75mm <sup>2</sup>	250V10A
H05VV-F	3X1.0mm <sup>2</sup>	250V10A





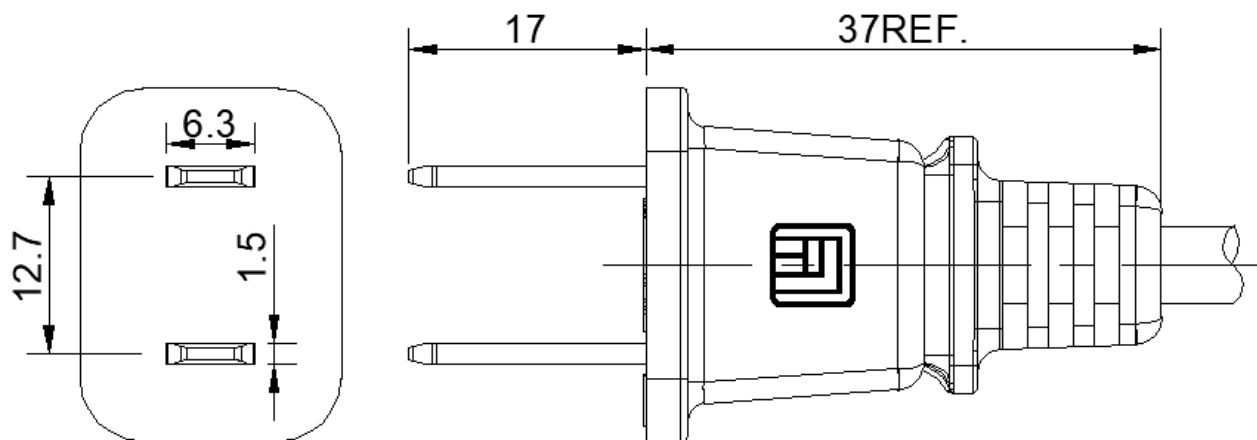
Lee Yuen

*US/CANADA STANDARD*



Plug No. LY-1  
 Type NEMA 1-15P  
 Std. UL 817  
 Max.Rating 13A 125V  
 Safety Approval UL, CUL, CSA

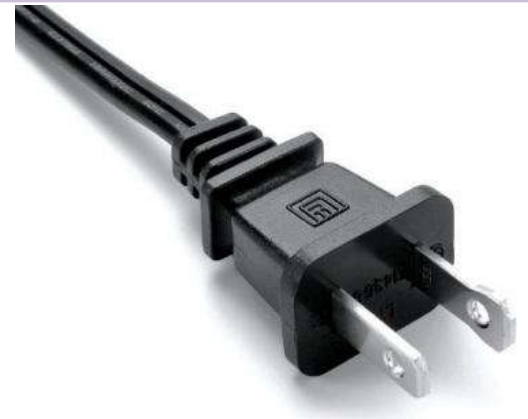
CableType	Size	Rating	Remarks
XTW, CXTW	20AWG X 2C	3A 125V	UL
SPT-1	20AWG X 2C	3A 125V	CSA
SPT-1, SPT-2, NISPT-2	18AWG X 2C	10A 125V	CSA
SPT-1W , SPT-2W, SPT-2-R	18AWG X 2C	10A 125V	UL
SPT-1 , SPT-2, NISPT-1 , NISPT-2	18AWG X 2C	10A 125V	UL,CUL
SPT-2W , SPT-2-R	16AWG X 2C	13A 125V	UL
SPT-2 , NISPT-2	16AWG X 2C	13A 125V	UL,CUL, CSA





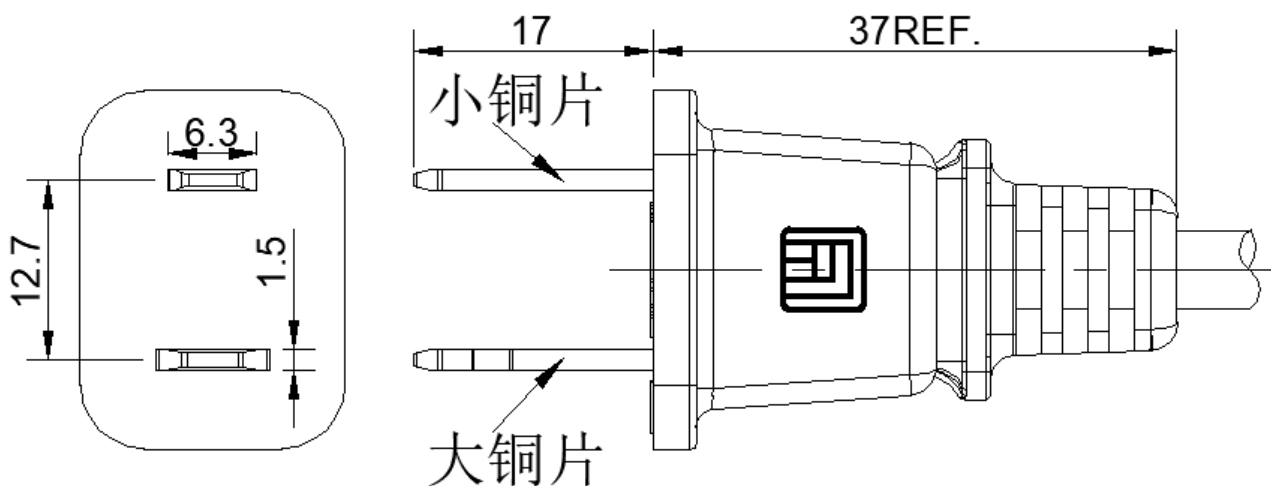
Lee Yuen

*US/CANADA STANDARD*



Plug No. LY-1P  
 Type NEMA 1-15P  
 Std. UL 817  
 Max.Rating 13A 125V  
 Safety Approval UL, CUL, CSA

Cable Type	Size	Rating	Remarks
XTW, CXTW	20AWG X 2C	3A 125V	UL
SPT-1	20AWG X 2C	3A 125V	CSA
SPT-1, SPT-2, NISPT-2	18AWG X 2C	10A 125V	CSA
SPT-1W , SPT-2W, SPT-2-R	18AWG X 2C	10A 125V	UL
SPT-1 , SPT-2, NISPT-1 , NISPT-2	18AWG X 2C	10A 125V	UL,CUL
SPT-2W , SPT-2-R	16AWG X 2C	13A 125V	UL
SPT-2 , NISPT-2	16AWG X 2C	13A 125V	UL,CUL, CSA

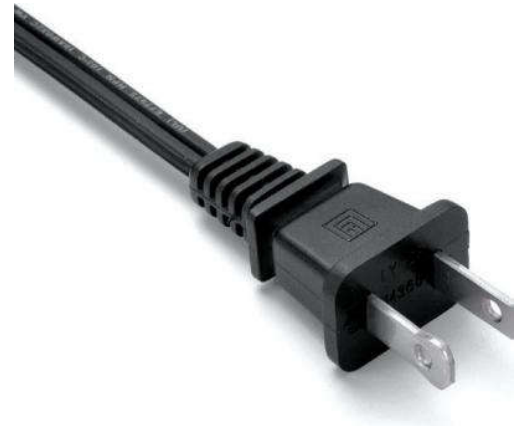




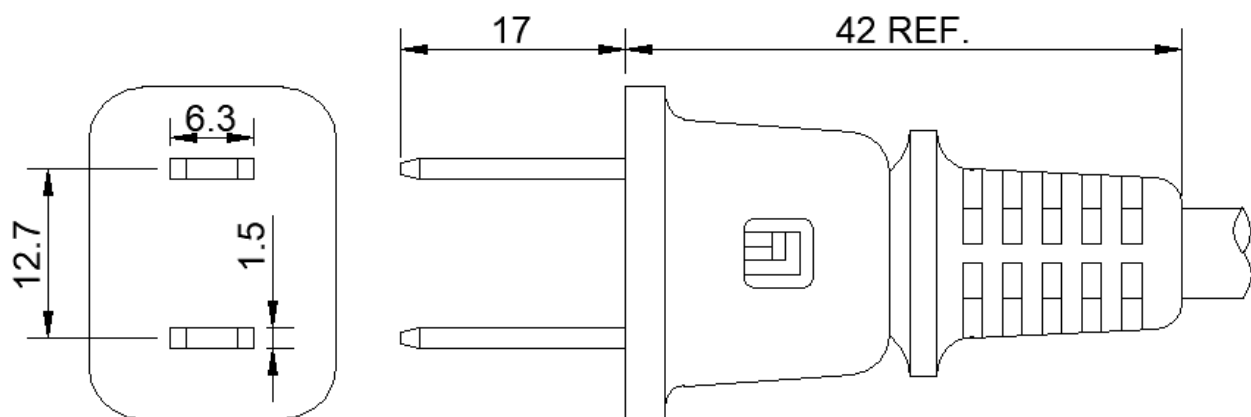
Lee Yuen

*US/CANADA STANDARD*

Plug No. LY-2  
 Type NEMA 1-15P  
 Std. UL 817  
 Max.Rating 15A 125V  
 Safety Approval UL, CUL, CSA



Cable Type	Size	Rating	Remarks
HPN	18AWG X 2C	10A 125V	CSA
HPN	16AWG X 2C	13A 125V	CSA
20856	14AWG X 2C	15A 125V	UL,CUL

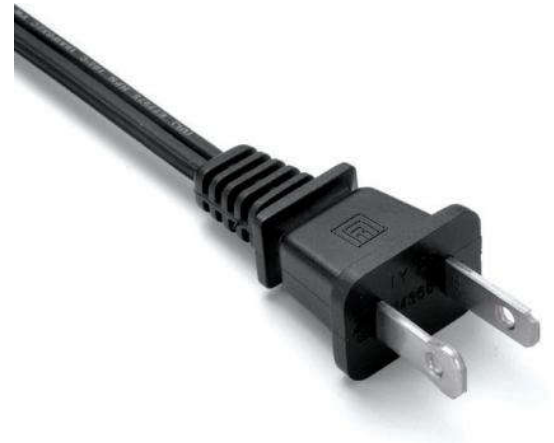






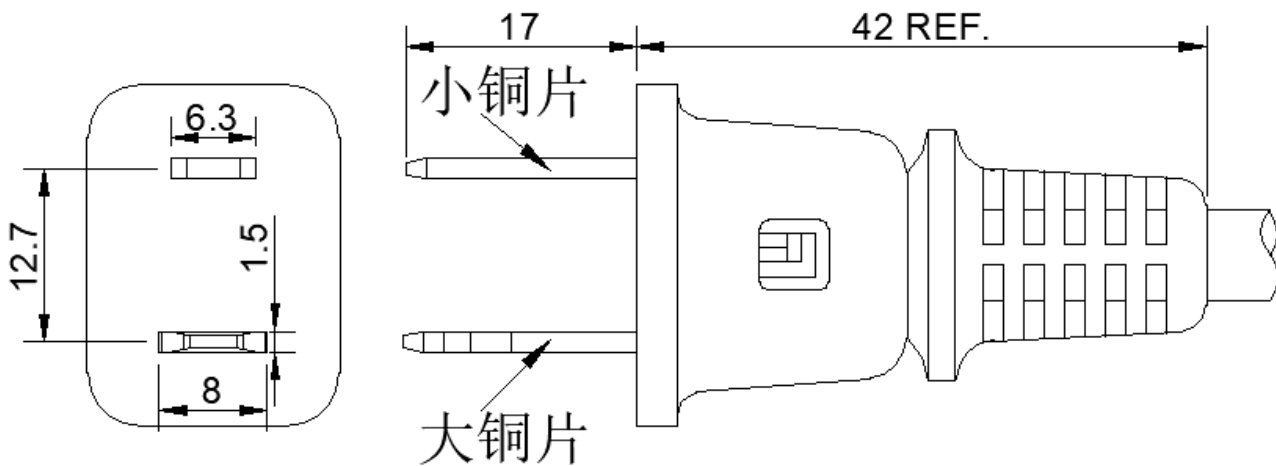
Lee Yuen

*US/CANADA STANDARD*



Plug No. LY-2P  
 Type NEMA 1-15P  
 Std. UL 817  
 Max.Rating 15A 125V  
 Safety Approval UL, CUL, CSA

CableType	Size	Rating	Remarks
HPN	18AWG X 2C	10A 125V	CSA
HPN	16AWG X 2C	13A 125V	CSA
20856	14AWG X 2C	15A 125V	UL,CUL





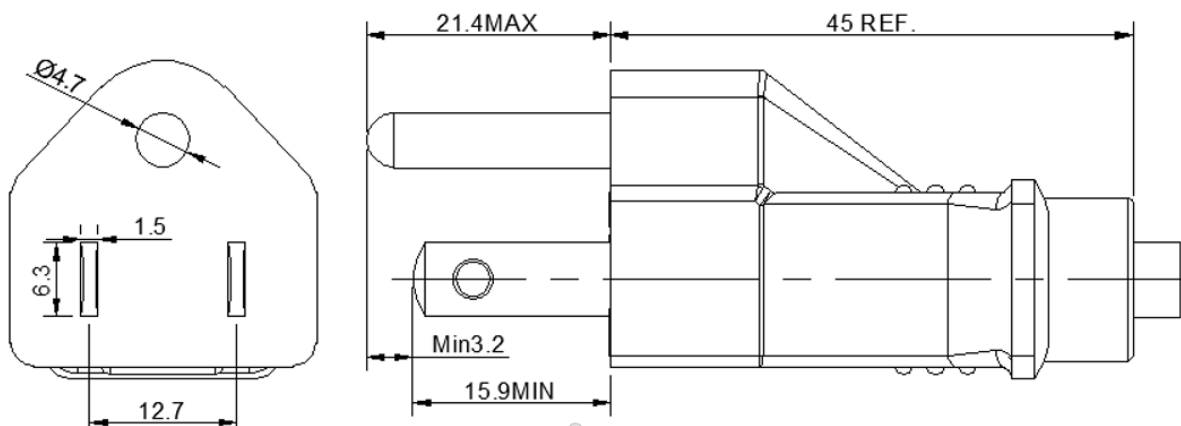
Lee Yuen

**US/CANADA STANDARD**

Plug No. LY-13  
 Type NEMA 5-15P  
 Std. UL 817  
 Max.Rating 15A 125V  
 Safety Approval UL, CUL, CSA



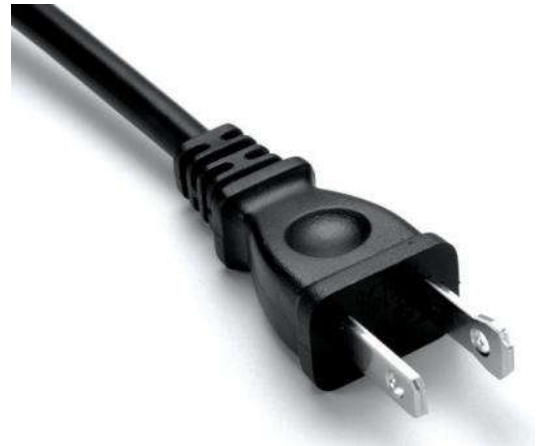
CableType	Size	Rating	Remarks
SPT-1, SPT-2, SPT-3, SVT, SVTO, SJT, SJTO, SJTW, SJTOW, STW, STO, STOW,	18AWG X 3C	10A 125V	UL,CUL,CSA
HPN	18AWG X 3C	10A 125V	UL,CUL
SPT-2, SPT-3, SVT, SVTO, SJT, SJTO, SJTW, SJTOW, STW, STO, STOW	16 AWG X 3C	13A 125V	UL,CUL,CSA
HPN	16 AWG X 3C	13A 125V	UL,CUL
SPT-3, SJT, SJTO, SJTW, SJTOW, STW, STO, STOW	14AWG X 3C	15A 125V	UL,CUL,CSA





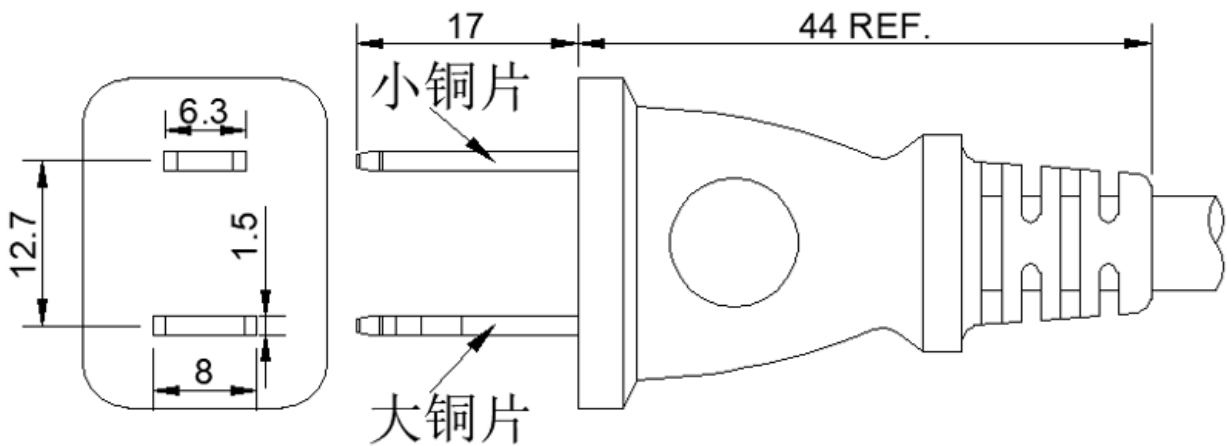
Lee Yuen

US/CANADA STANDARD



Plug No. LY-13B  
 Type NEMA 5-15P  
 Std. UL 817  
 Max.Rating 10A 125V  
 Safety Approval UL, CUL, CSA

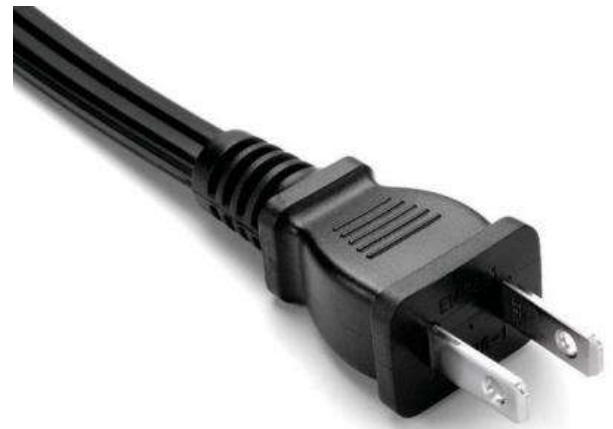
Cable Type	Size	Rating	Remarks
SVT, SJT, STO, SVTO, SJTO, SJWT, SJTOW, STW, STOW	18AWG X 2C	7A 125V	CSA
SVT, STW, SVTO, SJT, SJTO, SJWT, SJTOW, STO, STOW	18 AWG X 2C	10A 125V	UL,CUL



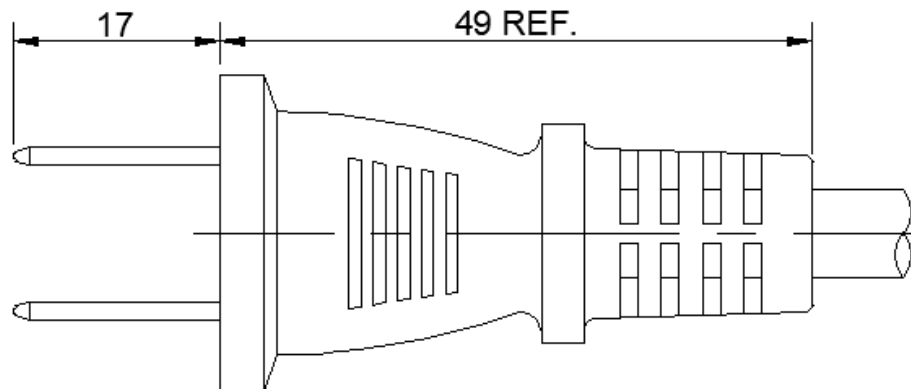
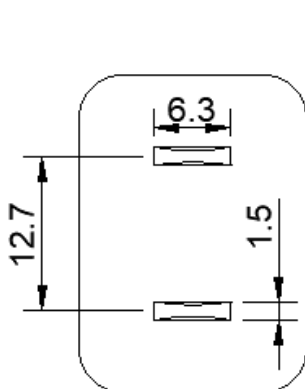


*US STANDARD*

Plug No. LY-13B-1  
 Type NEMA 1-15P  
 Std. UL 817  
 Max.Rating 10A 125V  
 Safety Approval UL



Cable Type	Size	Rating	Remarks
SPT-3, SJT, SJTW, SJTOW	14AWG X 2C	15A 125V	UL





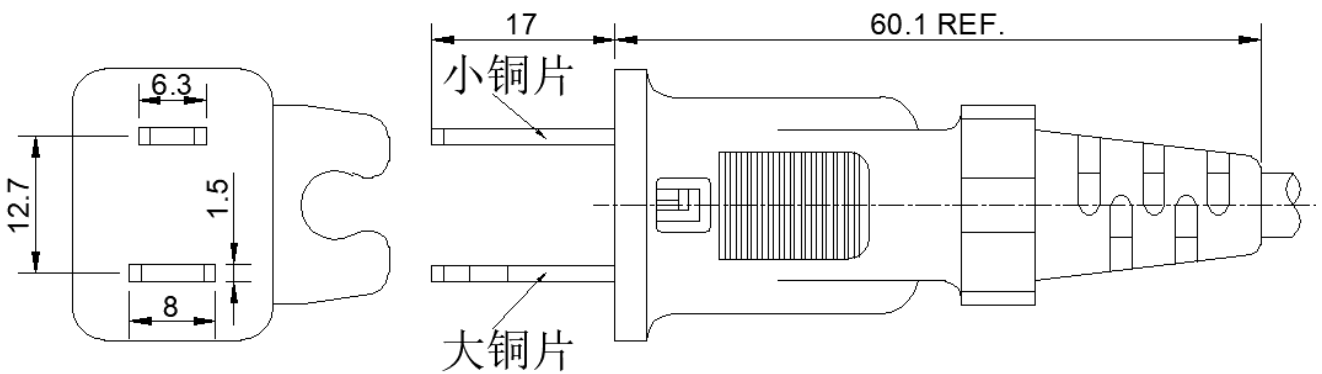
Lee Yuen

*US/CANADA STANDARD*

Plug No. LY-13C  
 Type NEMA 5-15P  
 Std. UL817  
 Max.Rating 13A 125V  
 Safety Approval UL, CUL, CSA



Cable Type	Size	Rating	Remarks
SVT, SVTO, SJT, SJTO, SJTW, SJTOW, STW, STO, STOW	18AWG X 2C	10A 125V	UL,CUL, CSA
SVTO, SJT, SJTO, SJTW, SJTOW, STW, STO, STOW	16AWG X 2C	13A 125V	UL,CUL, CSA





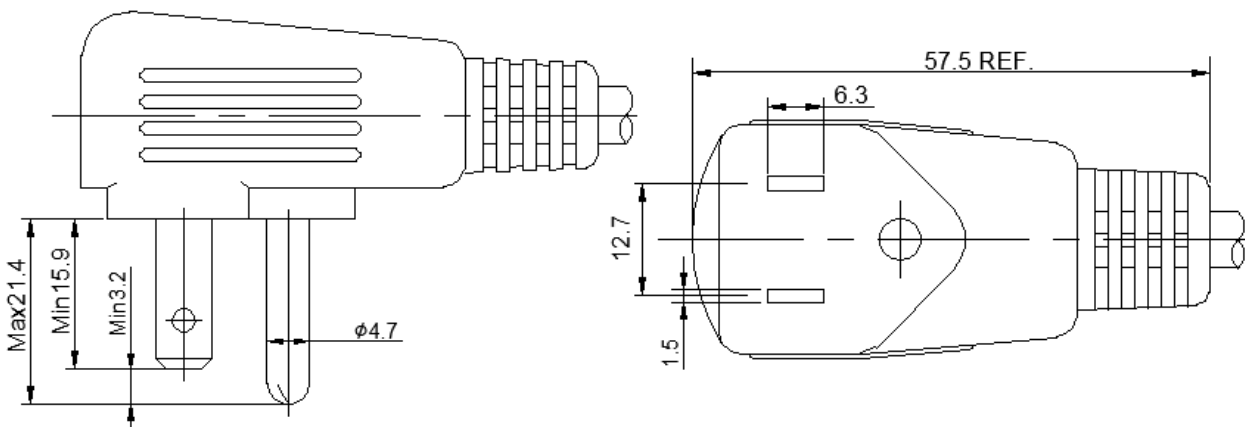
Lee Yuen

*US/CANADA STANDARD*

Plug No. LY-13L  
 Type NEMA 5-15P  
 Std. UL817  
 Max.Rating 15A 125V  
 Safety Approval UL, CUL, CSA



Cable Type	Size	Rating	Remarks
SPT-1, SPT-2, SPT-3, SVT, SVTO, SJT, SJTW, SJTO, SJTOW, STW, STO, STOW	18AWG X 3C	10A 125V	UL,CUL, CSA
SPT-2, SPT-3, SVTO, SJT, SJTW, SJTO, SJTOW, STO, STOW	16AWG X 3C	13A 125V	UL,CUL, CSA
SVT,STW	16AWG X 3C	13A 125V	CSA
SPT-2, SPT-3, SJT, STO, SJTO, SJTW, SJTOW, STW, STOW	14AWG X 3C	13A 125V	CSA





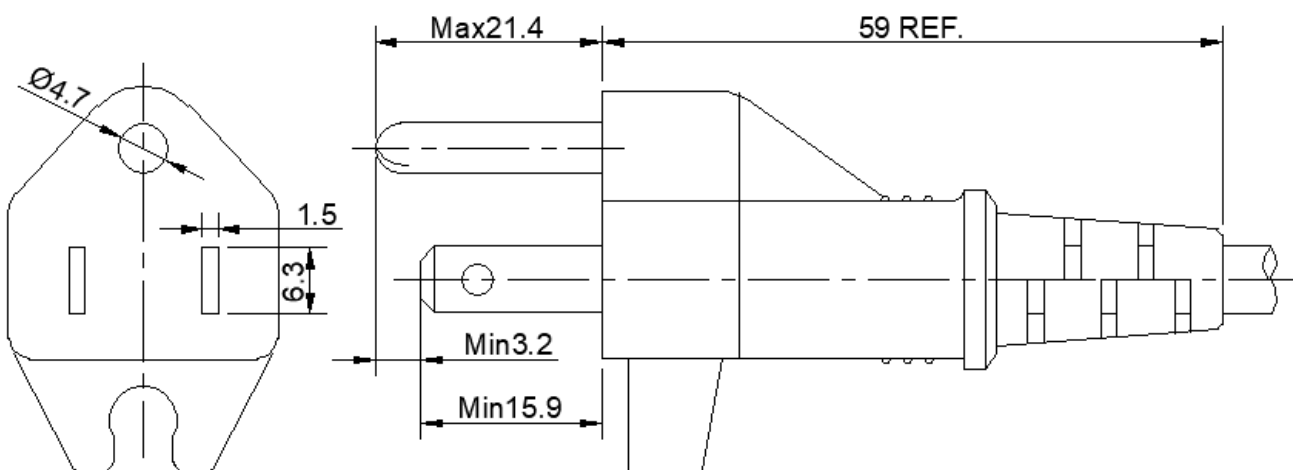
Lee Yuen

*US/CANADA STANDARD*

Plug No. LY-54  
 Type NEMA 5-15P  
 Std. UL817  
 Max.Rating 13A 125V  
 Safety Approval UL, CUL



Cable Type	Size	Rating	Remarks
SVT/SJT	18AWG X 3C	10A 125V	UL,CUL
SVT	17AWG X 3C	12A 125V	UL,CUL
SVT/SJT	16AWG X 3C	13A 125V	UL,CUL

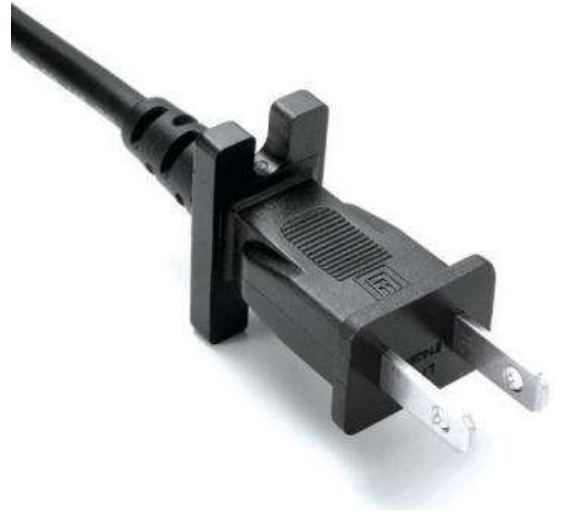




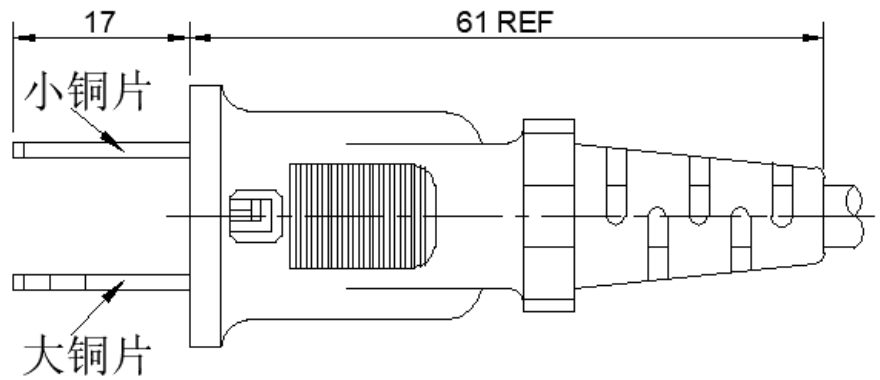
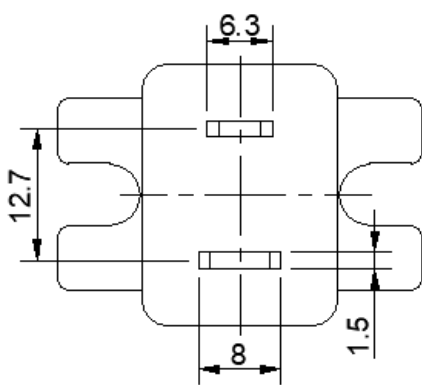
Lee Yuen

US/CANADA STANDARD

Plug No. LY-55  
 Type NEMA 1-15P  
 Std. UL817  
 Max.Rating 13A 125V  
 Safety Approval UL



Cable Type	Size	Rating	Remarks
SVT	16AWG X 2C	13A 125V	UL







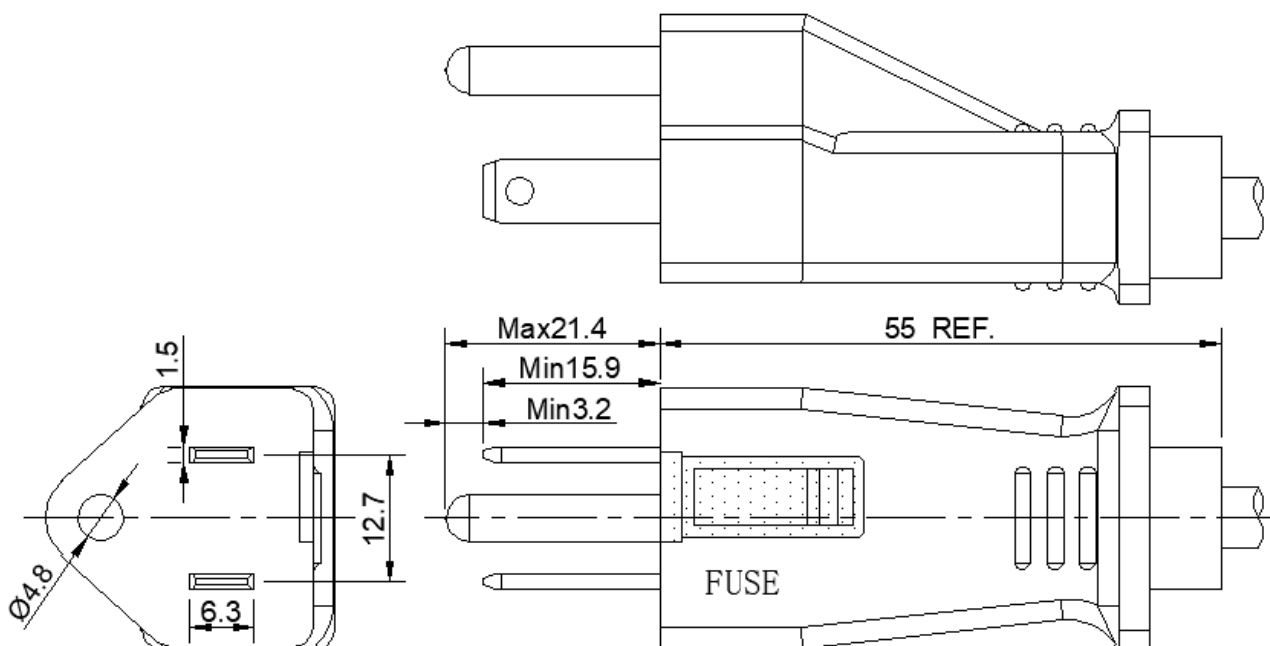
Lee Yuen

*US/CANADA STANDARD*

Plug No. LY-92  
 Type NEMA 5-15P  
 Std. UL817  
 Max.Rating 13A 125V  
 Safety Approval UL, CUL  
 Remarks: With 5A fuse



Cable Type	Size	Rating	Remarks
SPT-2, HPN, SVT, SJT, SJTW, SJTOW	18AWG X 3C	10A 125V	UL
SPT-2, HPN, SVT, SJT, SJTW, SJTOW	16AWG X 3C	13A 125V	UL
SPT-2-R, HPN-R, SVT-R, SJT-R, SJTW-R, SJTOW-R	18AWG X 3C	10A 125V	UL,CUL
SPT-2-R, HPN-R, SVT-R, SJT-R, SJTW-R, SJTOW-R	16AWG X 3C	13A 125V	UL,CUL





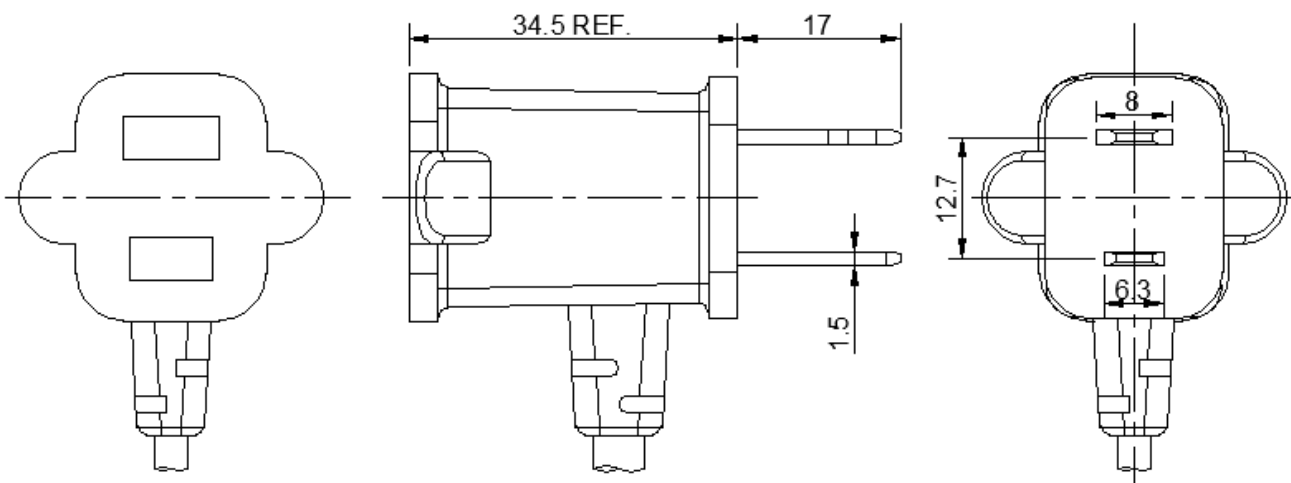
Lee Yuen

*US/CANADA STANDARD*

Plug No. LY-98  
 Type NEMA 1-15P/NEMA 1-15  
 Std. UL817  
 Max.Rating 13A 125V  
 Safety Approval Non. Std.



Cable Type	Size	Rating	Remarks
SPT-1, SPT-2, NISPT-1, NISPT-2, HPN	18AWG X 2C	10A 125V	Non. Std.
SPT-2, NISPT-2, HPN	16AWG X 2C	13A 125V	Non. Std.





Lee Yuen

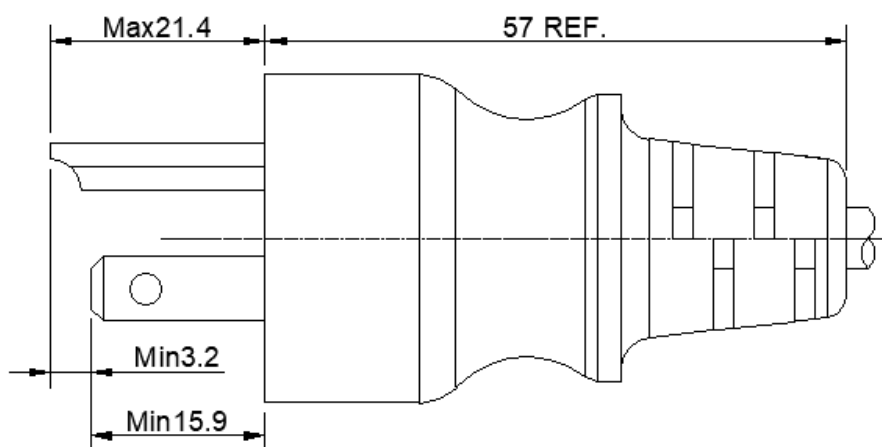
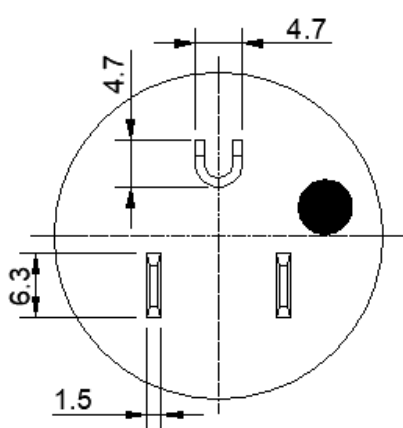


### US/CANADA STANDARD

Plug No. LY-103  
 Type NEMA 5-15P  
 Std. UL817  
 Max.Rating 15A 125V  
 Safety Approval UL, CUL  
 Remarks: Used in Medical Device



Cable Type	Size	Rating	Remarks
SVT, SJT	18AWG X 3C	10A 125V	UL,CUL
SVT	17AWG X 3C	12A 125V	UL,CUL
SVT, SJT	16AWG X 3C	13A 125V	UL,CUL
SJT	14AWG X 3C	15A 125V	UL,CUL





Lee Yuen

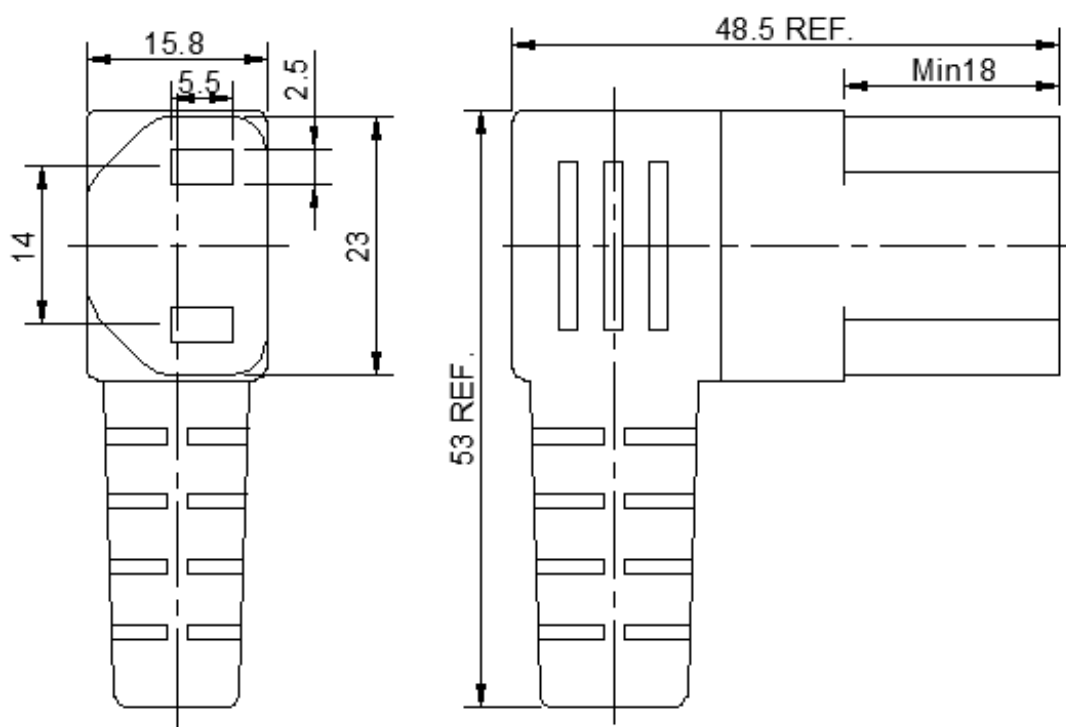


### US/CANADA STANDARD

Plug No. LY-C17L  
 Type C17  
 Std. UL498,UL60320  
 Max.Rating 13A 125V  
 Safety Approval UL, CUL



Cable Type	Size	Rating	Remarks
SPT-2-R, NISPT-2-R, HPN-R, SVT-R, SJT-R	18AWG X 3C	10A 125V	UL
ST-2-R, NISPT-2-R, HPN-R, SVT-R, SJT-R	16AWG X 3C	13A 125V	UL
SPT-1, SPT-2, NISPT-1, NISPT-2, HPN, SVT, SJT	18AWG X 3C	10A 125V	UL,CUL
SPT-2, NISPT-2, HPN, SVT, SJT	16AWG X 3C	13A 125V	UL,CUL





Lee Yuen

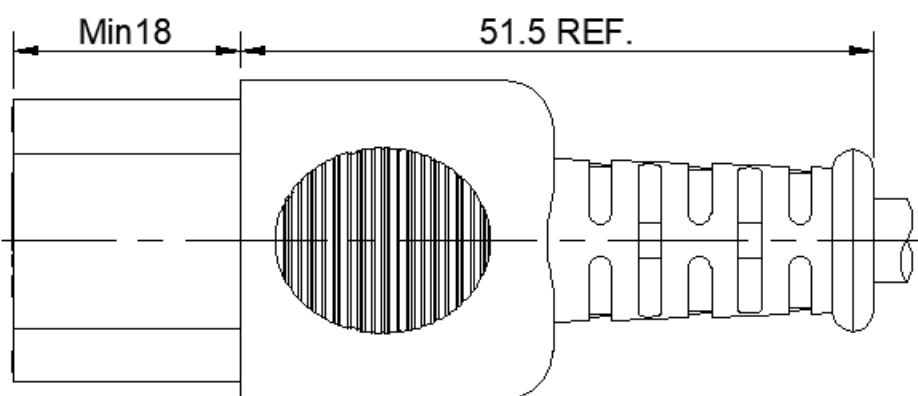
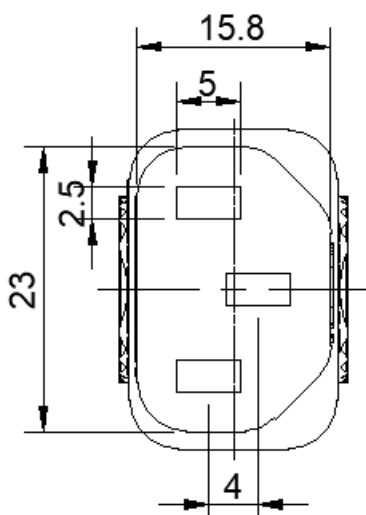


### US/CANADA STANDARD

Plug No. LY-18  
 Type C13  
 Std. UL 60320  
 Max.Rating 15A 125V  
 Safety Approval UL, CUL,CSA



Cable Type	Size	Rating	Remarks
SVT, SVTO, SJT	18AWG X 3C	10A 125V	UL,CUL
SVT, SVTO, SJT, SJTO, SJTOW, STO, STOW	16AWG X 3C	13A 125V	UL,CUL
SJT, SJTO, SJTOW, STO, STOW	14AWG X 3C	15A 125V	UL
SVT, SJT	16AWG X 3C	13A 125V	CSA
SVT, SJT	14AWG X 3C	15A 125V	CSA
SVT, SJT	16AWG X 3C	13A 125V	CSA





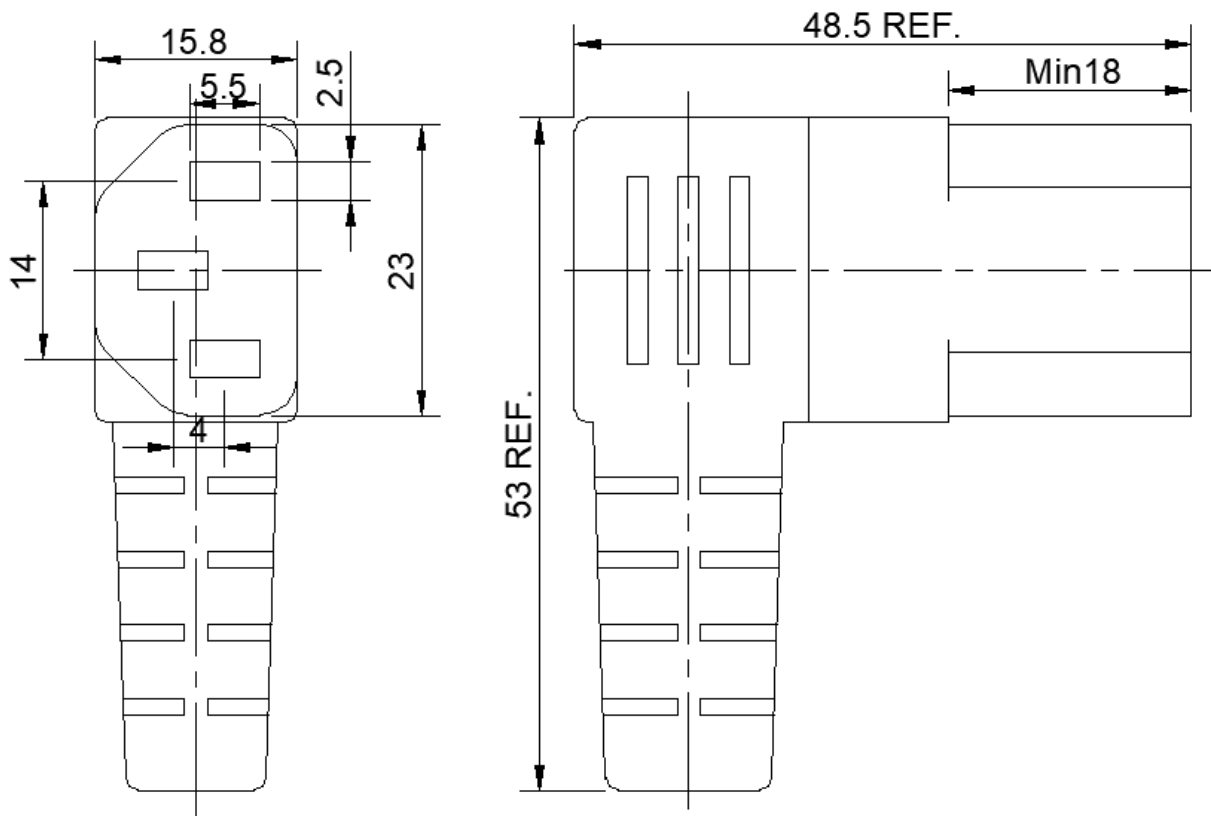
Lee Yuen

*US/CANADA STANDARD*

Plug No. LY-18L  
 Type C13  
 Std. UL 60320  
 Max.Rating 13A 250V  
 Safety Approval UL, CUL



Cable Type	Size	Rating	Remarks
SVT, SJT	18AWG X 3C	10A 125V or 250V	UL,CUL
SVT, SJT	16AWG X 3C	13A 125V or 250V	UL,CUL





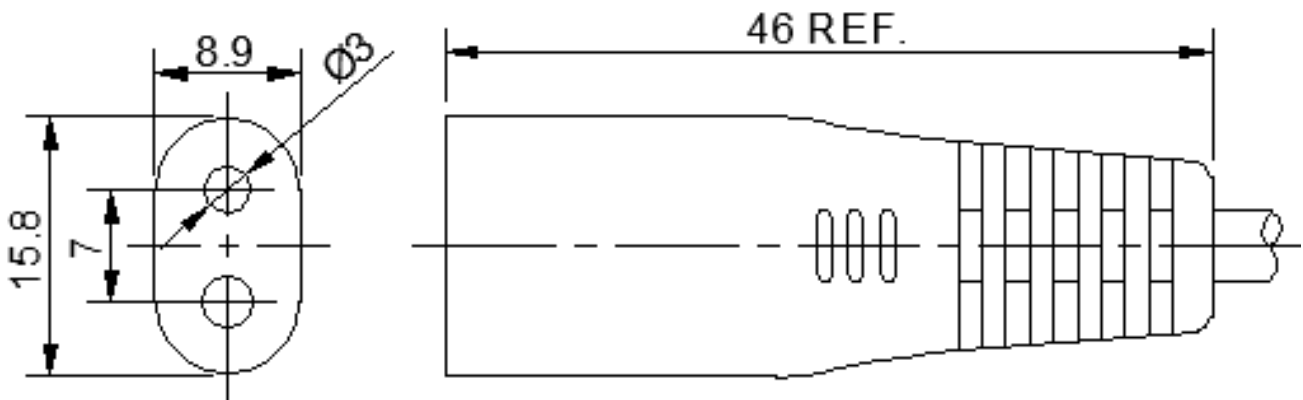
Lee Yuen

*US/CANADA STANDARD*

Plug No. LY-22P  
 Type C7- Polarized (Non.Std.)  
 Std. UL 60320  
 Max.Rating 13A 125V  
 Safety Approval UL, CUL,CSA



Cable Type	Size	Rating	Remarks
SPT-1,SPT-2, NISPT-1	18AWG X 2C	10A 125V	UL,CUL,CSA
SPT-2, NISPT-2	16AWG X 2C	13A 125V	UL,CUL,CSA
CSA cord set : LY-1+ LY-22P		7A 125V	





Lee Yuen

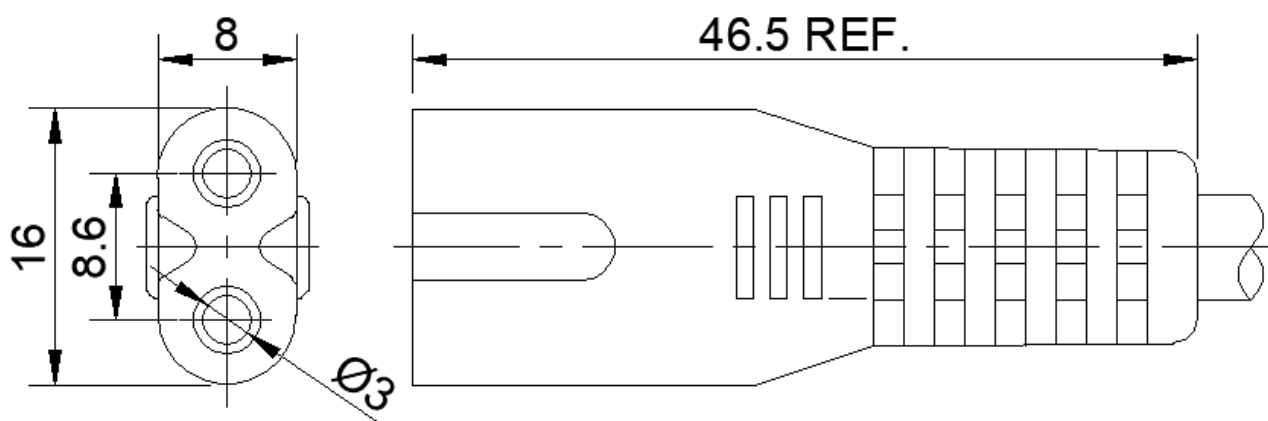


### US/CANADA STANDARD

Plug No. LY-22S  
 Type C7  
 Std. UL 60320  
 Max.Rating 10A 125V  
 Safety Approval UL, CUL,CSA



Cable Type	Size	Rating	Remarks
SPT-1, SPT-2 NISPT-1, NISPT-2	18AWG X 2C	10A 125V	UL,CUL,CSA
CSA cord set : LY-1P+ LY-22S		10A 125V	







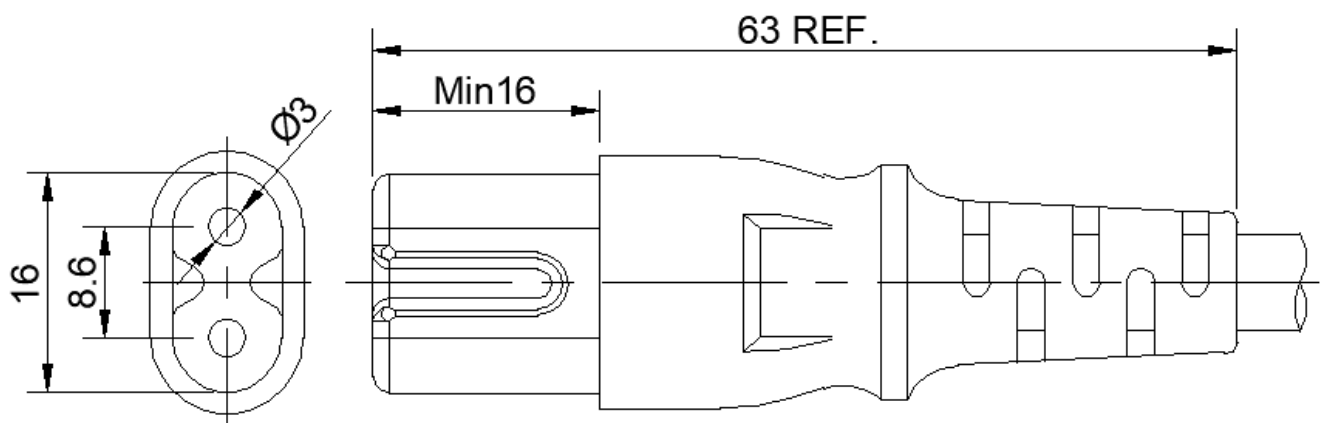
Lee Yuen

*US/CANADA STANDARD*

Plug No. LY-22U  
 Type C7  
 Std. UL 60320  
 Max.Rating 7A 125V  
 Safety Approval UL, CUL, CSA



Cable Type	Size	Rating	Remarks
SPT-1, SPT-2 NISPT-1, NISPT-2	18AWG X 2C	7A 125V or 2.5A 250V	UL,CUL,CSA





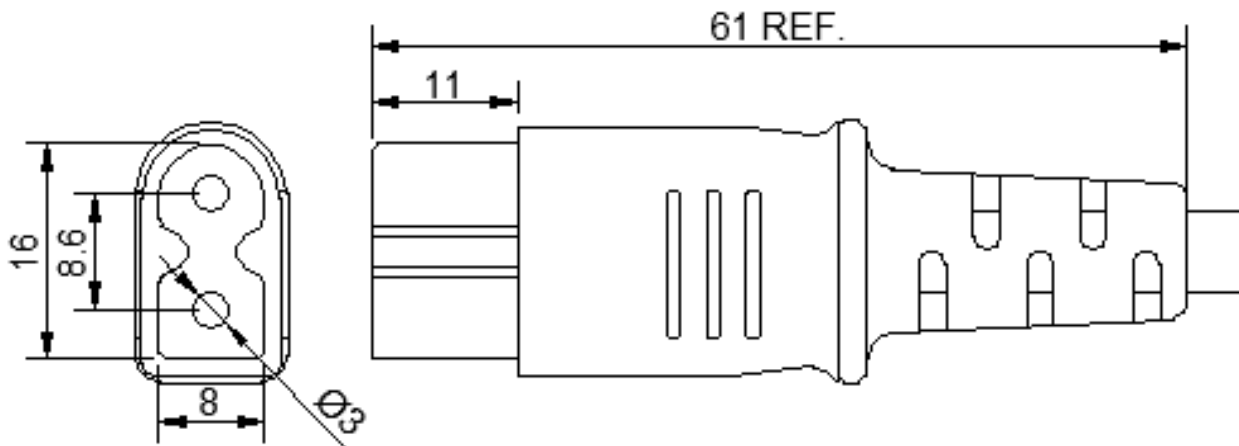
Lee Yuen

*US/CANADA STANDARD*

Plug No. LY-22UP  
 Type C7- Polarized (Non.Std)  
 Std. UL 60320  
 Max.Rating 7A 125V  
 Safety Approval UL, CUL



Cable Type	Size	Rating	Remarks
SPT-1, SPT-2 NISPT-1, NISPT-2	18AWG X 2C	7A 125V or 2.5A 250V	UL,CUL





Lee Yuen

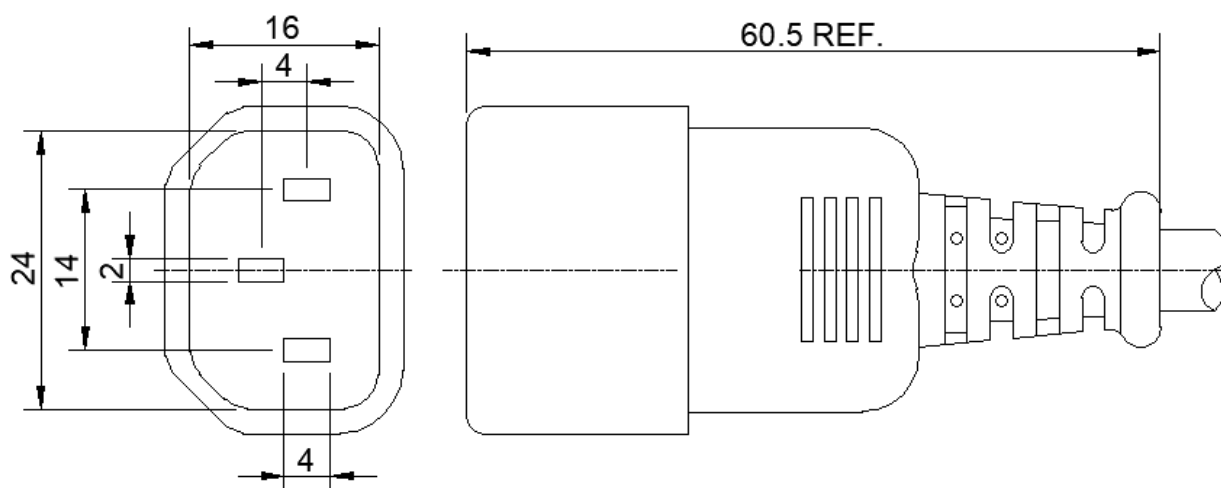


### US/CANADA STANDARD

Plug No. LY-23  
 Type C14  
 Std. UL 60320  
 Max.Rating 15A 125V  
 Safety Approval UL, CUL



Cable Type	Size	Rating	Remarks
SVT, SVTO, SJT	18AWG X 3C	10A 125V	UL,CUL
SVT, SVTO, SJT, SJTO, SJTOW, STO, STOW	16AWG X 3C	13A 125V	UL,CUL
SJT, SJTW, SJTO, SJTOW, STO, STOW	14AWG X 3C	15A 125V	UL,CUL





Lee Yuen

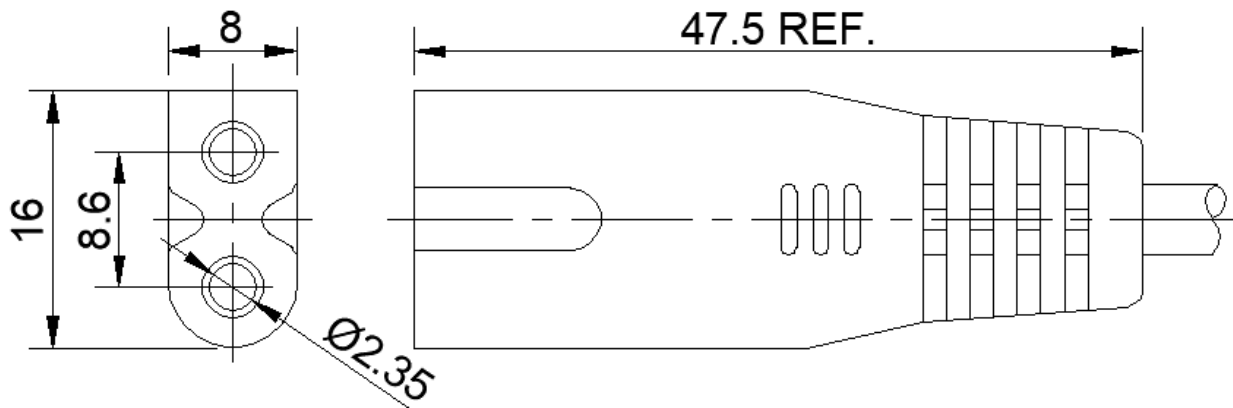


*US/CANADA STANDARD*

Plug No. LY-53  
 Type C7- Polarized (Non.Std)  
 Std. UL 60320  
 Max.Rating 10A 125V  
 Safety Approval UL, CUL



Cable Type	Size	Rating	Remarks
SPT-2, NISPT-2	18AWG X 2C	10A 125V	UL,CUL





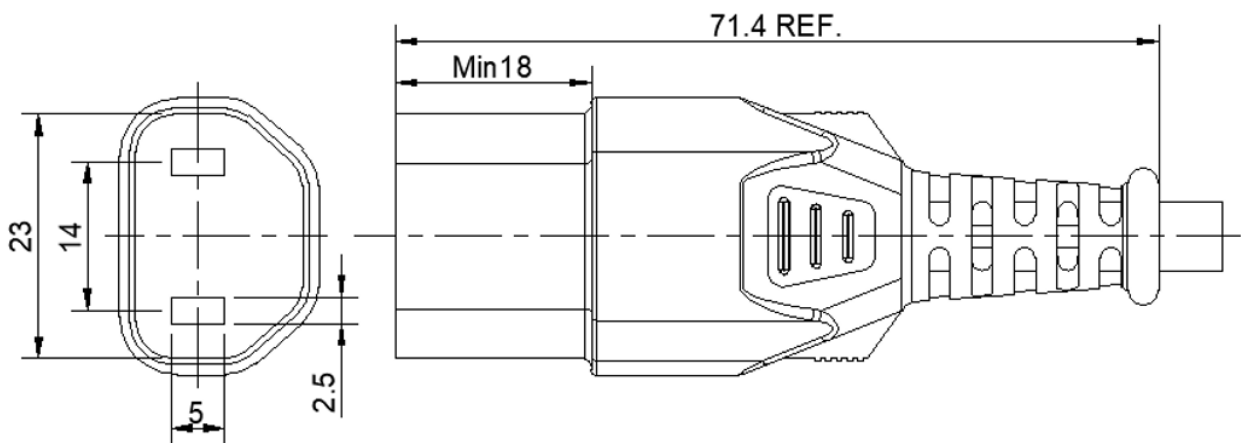
Lee Yuen

*US/CANADA STANDARD*

Plug No. LY-79  
 Type C17  
 Std. UL 60320  
 Max.Rating 10A 125V  
 Safety Approval UL, CUL



Cable Type	Size	Rating	Remarks
SVT, SJT	18AWG X 2C	10A 125V	UL,CUL





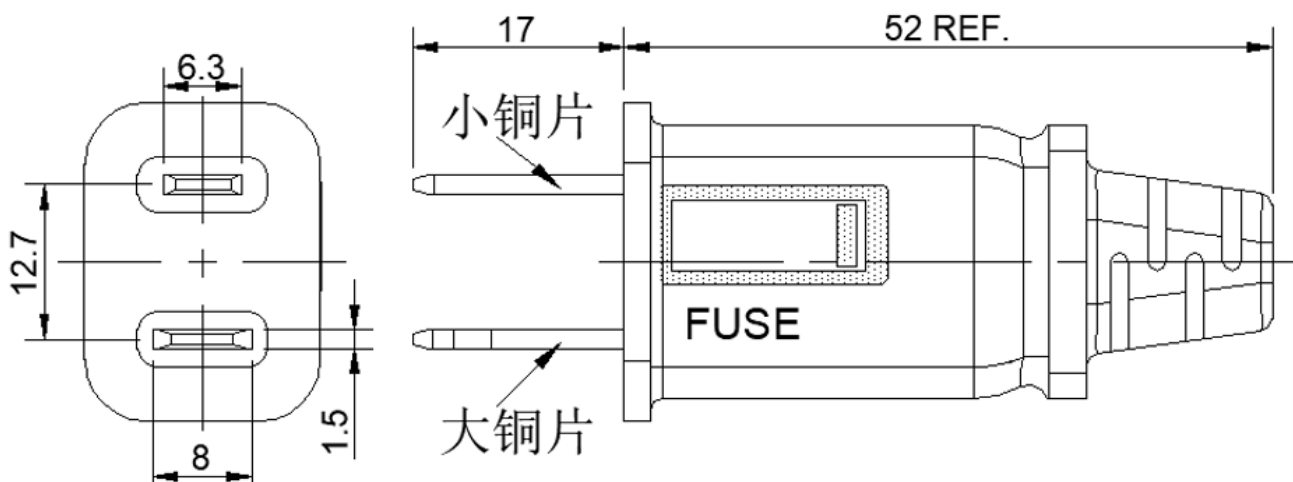
Lee Yuen

*US/CANADA STANDARD*

Plug No. LY-91  
 Type NEMA 5-15P  
 Std. UL 817  
 Max.Rating 5A 125V  
 Safety Approval UL, CUL



Cable Type	Size	Rating	Remarks
SPT-2, NISPT-2, HPN	18AWG X 2C	5A 125V	UL,CUL
SPT-2, NISPT-2, HPN	16AWG X 2C	5A 125V	UL,CUL
SPT-2-R, NISPT-2-R, HPN-R	18/16 AWG X 2C	5A 125V	UL
SPT-2-R, NISPT-2-R, HPN-R	16AWG X 2C	5A 125V	UL





Lee Yuen

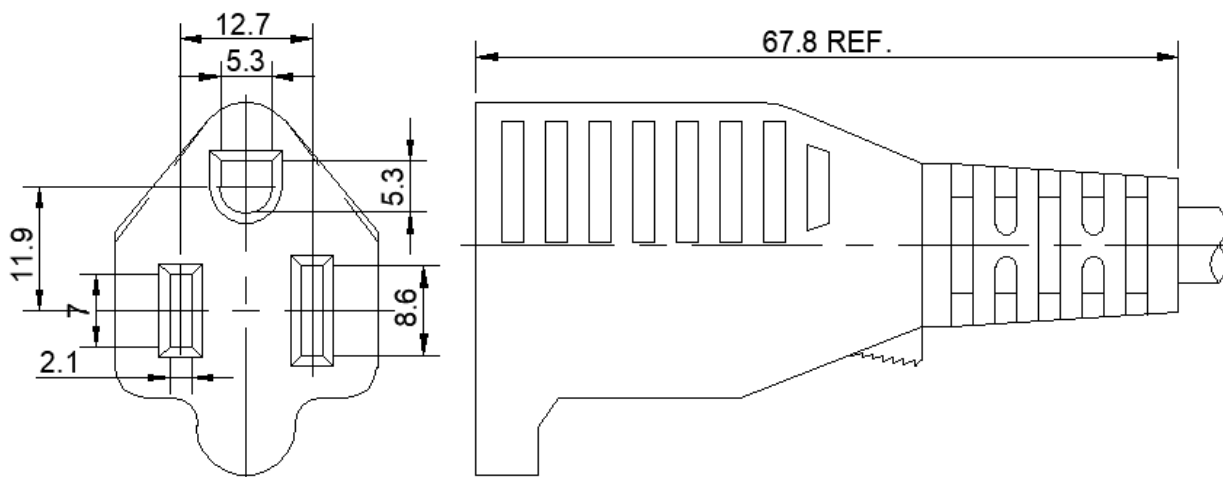


### US/CANADA STANDARD

Plug No. LY-56  
 Type NEMA 5-15P  
 Std. UL 817  
 Max.Rating 13A 125V  
 Safety Approval Non.Std



Cable Type	Size	Rating	Remarks
SVT	18AWG X 3C	10A 125V	Non. Std
SJT, SJTW	16AWG X 3C	13A 125V	Non. Std





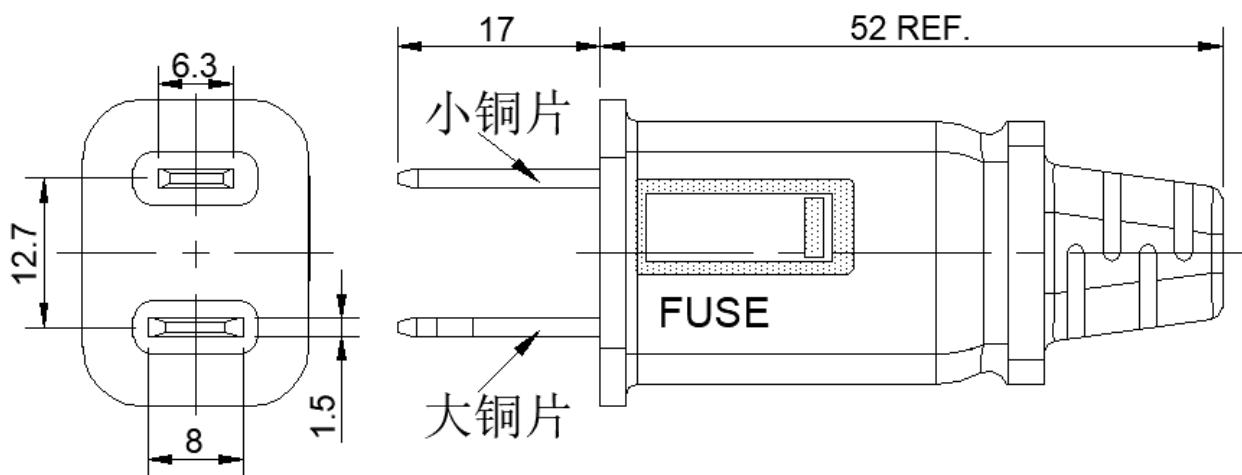
Lee Yuen

**US/CANADA STANDARD**

Plug No. LY-95  
 Type NEMA 5-15P  
 Std. UL 817  
 Max.Rating 5A 125V  
 Safety Approval UL,CUL



Cable Type	Size	Rating	Remarks
SPT-2, NISPT-2, HPN	18AWG X 2C	2.5A 125V	UL,CUL
SPT-2, NISPT-2, HPN	16AWG X 2C	2.5A 125V	UL,CUL
SPT-2-R, NISPT-2-R, HPN-R	18/16 AWG X 2C	5A 125V	UL
SPT-2-R, NISPT-2-R, HPN-R	16AWG X 2C	5A 125V	UL







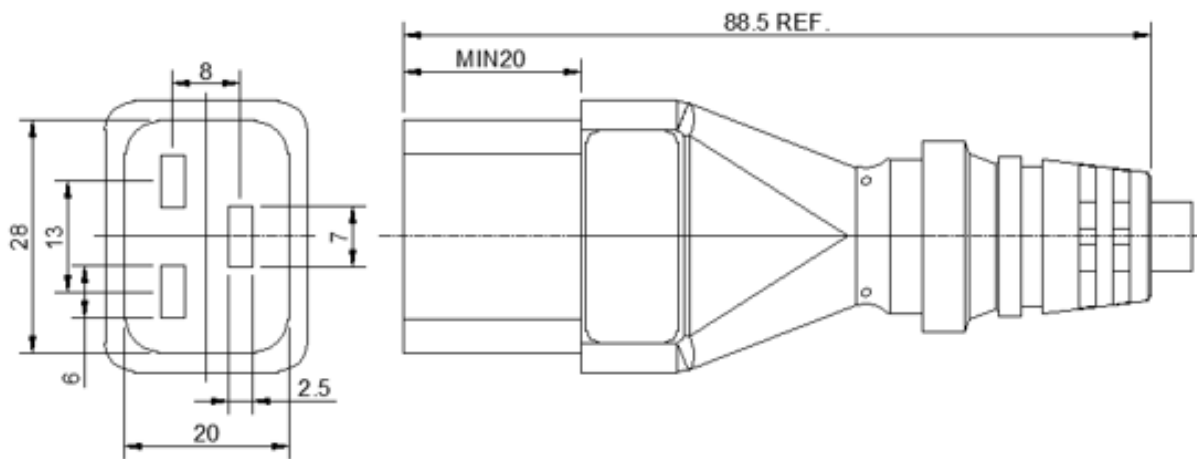
Lee Yuen

**US/CANADA STANDARD**

Plug No. LY-108  
 Type C19  
 Std. UL 60320  
 Max.Rating 18A 250V  
 Safety Approval UL, CUL



Cable Type	Size	Rating	Remarks
SJT, SJTW, SJTOW, SJOOW, SPT-3, HPN	16AWG X 3C	13A 125V OR 250V	UL,CUL
SJT, SJTW, SJTOW, SJOOW, SPT-3, HPN	14AWG X 3C	18A 125V OR 250V	UL,CUL





Lee Yuen

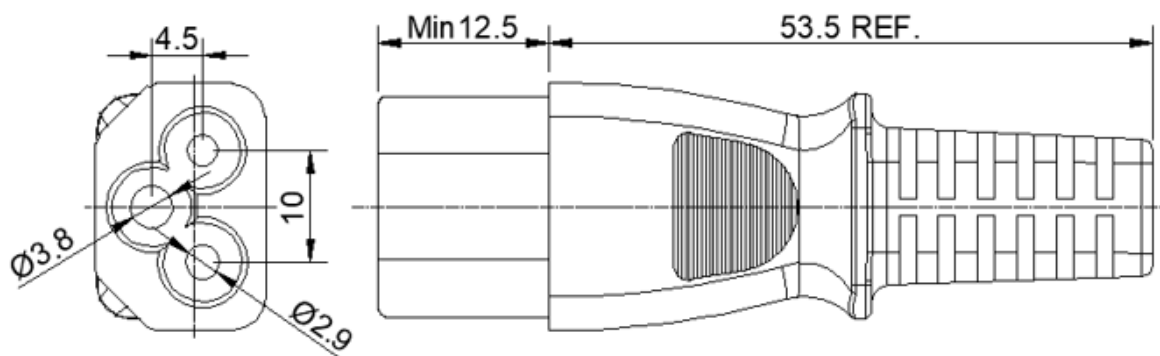


### US/CANADA STANDARD

Plug No. LY-28  
 Type C5  
 Std. UL 60320  
 Max.Rating 18A 250V  
 Safety Approval UL, CUL



Cable Type	Size	Rating	Remarks
SPT-1, SPT-2, SVT, SJT, SJTO, SJTW	18AWG X 3C	7A 250V or 2.5A 250V	UL,CUL
SJT, SJTO, SJTW	16AWG X 3C	7A 250V or 2.5A 250V	UL,CUL





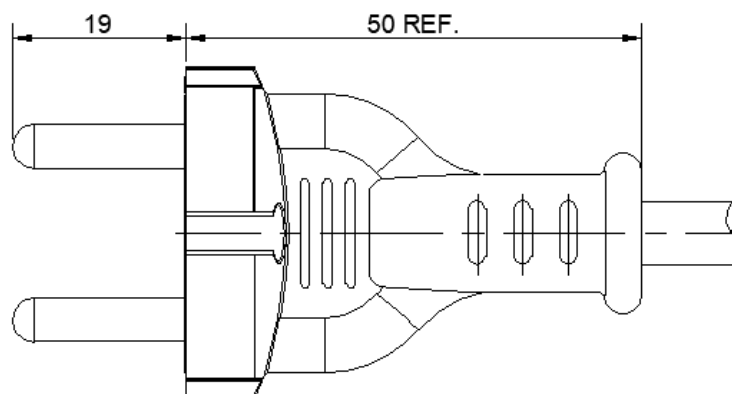
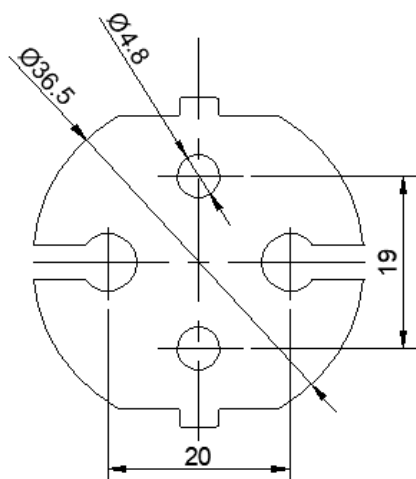
Lee Yuen

**EUROPE STANDARD**



Plug No. LY-13  
 Type CEE 7/17  
 Std. Din VDE 0620-01:2016-01/ IEC 60884-1:2002/A2:2013  
 Max.Rating 16A 250V  
 Safety Approval DEMKO,FIMKO,,NEMKO,KEMA,CE  
 BEC.NF,OVE,VDE,IMQ

Cable Type	Size	Rating	Remarks
H03VVH2-F H05VVH2-F H03VV-F H05VV-F H03VVH2H8-F H05VVH2H8-F H03VVH8-F H05VVH8-F	2X0.75mm <sup>2</sup>	16A 250V	DEMKO,FIMKO,,NEMKO,KEMA,CEBEC.NF,OVE,VDE,IMQ DEMKO,FIMKO,,NEMKO,KEMA,CEBEC.NF,OVE,VDE,IMQ
H05VV-F H05VVH2-F H05VVH8-F	2X1.0mm <sup>2</sup>	16A 250V	
H05RR-F	2X0.75mm <sup>2</sup>	16A 250V	
H05RR-F	2X1.0mm <sup>2</sup>	16A 250V	
H05RN-F	2X0.75mm <sup>2</sup>	16A 250V	
H05RN-F	2X1.0mm <sup>2</sup>	16A 250V	





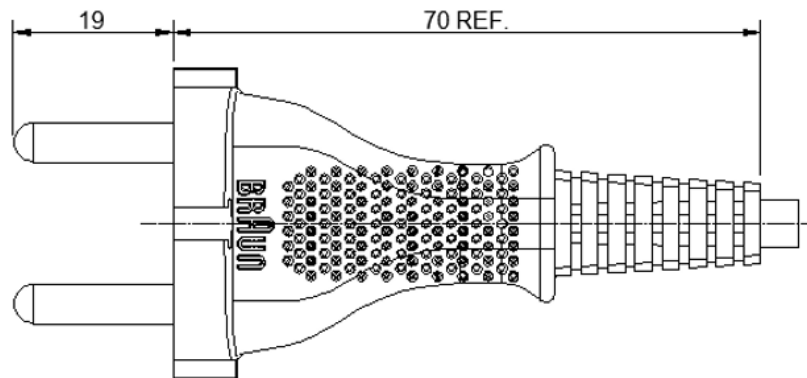
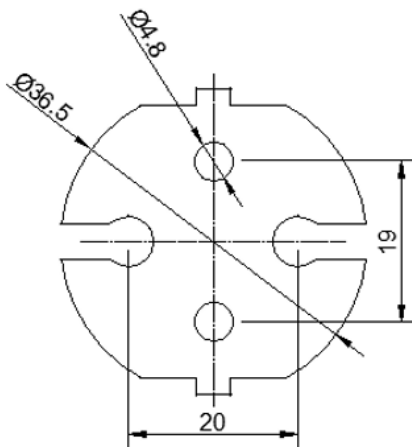
Lee Yuen

### EUROPE STANDARD



Plug No. LY-51  
 Type CEE 7/17(polarized plug)  
 Std. Din VDE 0620-1:2013-03  
 Max.Rating 16A 250V  
 Safety Approval VDE

Cable Type	Size	Rating	Remarks
H03VVH2-F	2X0.75mm <sup>2</sup>	16A 250V	VDE
H05VVH2-F	2X0.75mm <sup>2</sup>	16A 250V	VDE





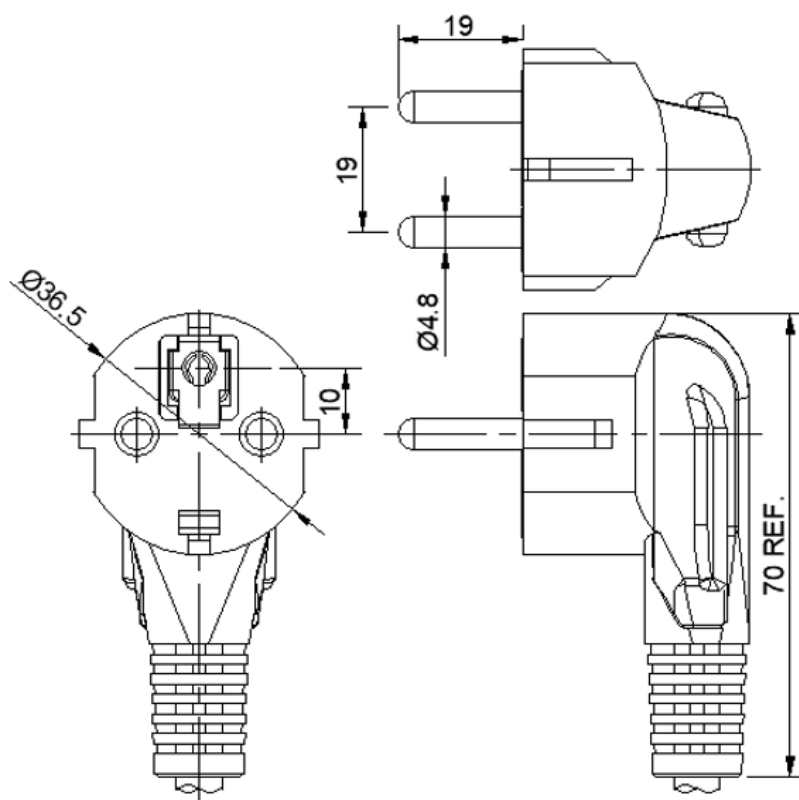
Lee Yuen

**EUROPE STANDARD**



Plug No. LY-16  
 Type CEE 7/17(Schuko plug)  
 Std. Din VDE 0620-01:2016-01/ IEC 60884-1:2002/A2:2013  
 Max.Rating 16A 250V  
 Safety Approval EAC,DEMKO,FIMKO,NEMKO,KEMA,CEBEC,NF,OVE,VDE,IMQ

Cable Type	Size	Rating	Remarks
H03VV-F	3X0.75mm <sup>2</sup>	16A 250V	EAC,DEMKO,FIMKO,NEMKO,KEMA,CEBEC,NF,OVE,VDE,IMQ
H05VV-F, H05V2V2-F	3X0.75mm <sup>2</sup> 3X1.0mm <sup>2</sup> 3X1.5mm <sup>2</sup>	16A 250V	
H05RR-F, H05RN-F	3X0.75mm <sup>2</sup> 3X1.0mm <sup>2</sup>	16A 250V	
H03RT-H	3X0.75mm <sup>2</sup> 3X1.0mm <sup>2</sup> 3X1.5mm <sup>2</sup>	16A 250V	





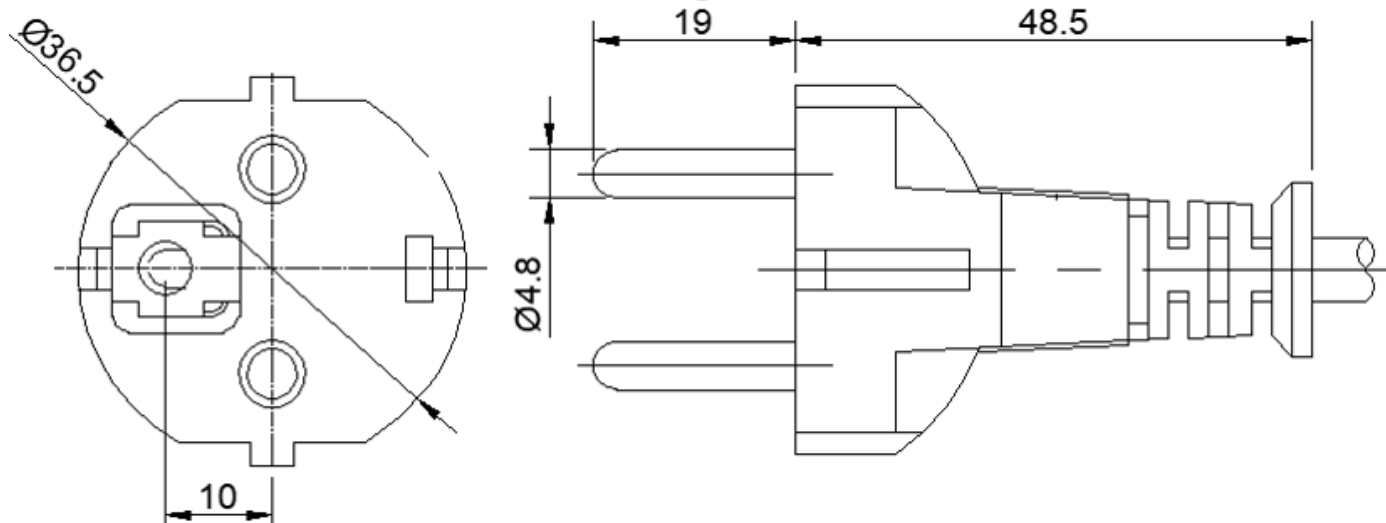
Lee Yuen

**EUROPE STANDARD**



Plug No. LY-16A  
 Type CEE 7/17(Schuko plug)  
 Std. Din VDE 0620-01:2016-01/ IEC 60884-1:2002/A2:2013  
 Max.Rating 16A 250V  
 Safety Approval EAC,DEMKO,FIMKO,NEMKO,KEMA,CEBEC,NF,OVE,VDE,IMQ

Cable Type	Size	Rating	Remarks
H03VV-F	3X0.75mm <sup>2</sup>	16A 250V	EAC,DEMKO,FIMKO,NEMKO,KEMA,CEBEC,NF,OVE,VDE,IMQ
H05VV-F, H05V2V2-F	3X0.75mm <sup>2</sup> 3X1.0mm <sup>2</sup> 3X1.5mm <sup>2</sup>	16A 250V	
H05RR-F, H05RN-F	3X0.75mm <sup>2</sup> 3X1.0mm <sup>2</sup>	16A 250V	
H03RT-H	3X0.75mm <sup>2</sup> 3X1.0mm <sup>2</sup> 3X1.5mm <sup>2</sup>	16A 250V	





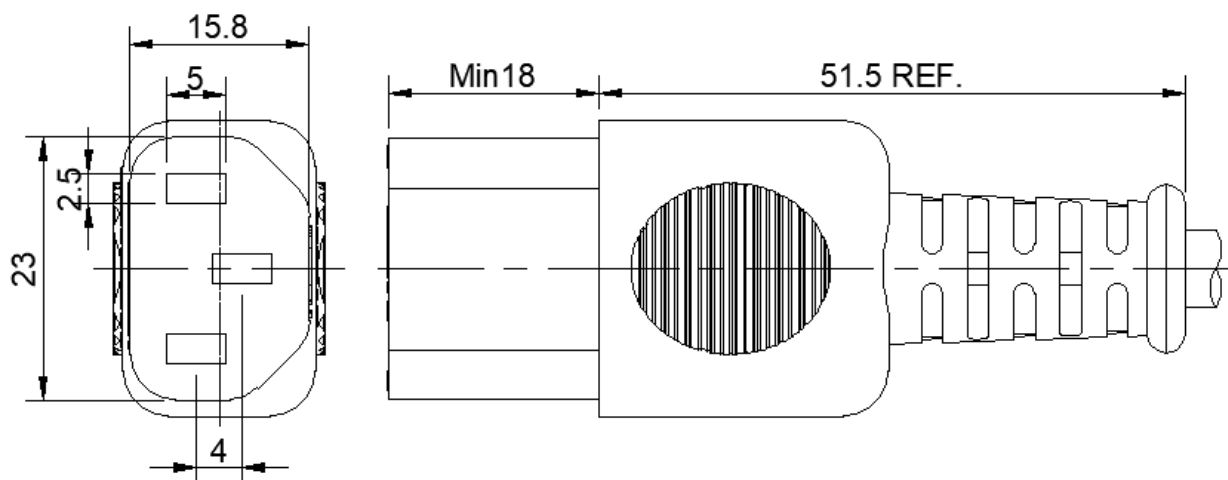
Lee Yuen

**EUROPE STANDARD**



Plug No. LY-18  
 Type C13  
 Std. IEC 60320-1:2015/AMD1:2018  
 Max.Rating 10A 250V  
 Safety Approval SWISS,KEMA,NEMKO,CEBEC,NF, OVE,VDE,ENEC,IMQ

Cable Type	Size	Rating	Remarks
H05VV-F	3X0.75mm <sup>2</sup> (max. 2 m)	10A 250V	SWISS,KEMA,NEMKO,CEBEC,NF,OVE,VDE,ENEC,IMQ
H05VV-F	3X1.0mm <sup>2</sup>	10A 250V	
H05V2V2-F	3X0.75mm <sup>2</sup> (max. 2 m)	10A 250V	
H05V2V2-F	3X1.0mm <sup>2</sup>	10A 250V	





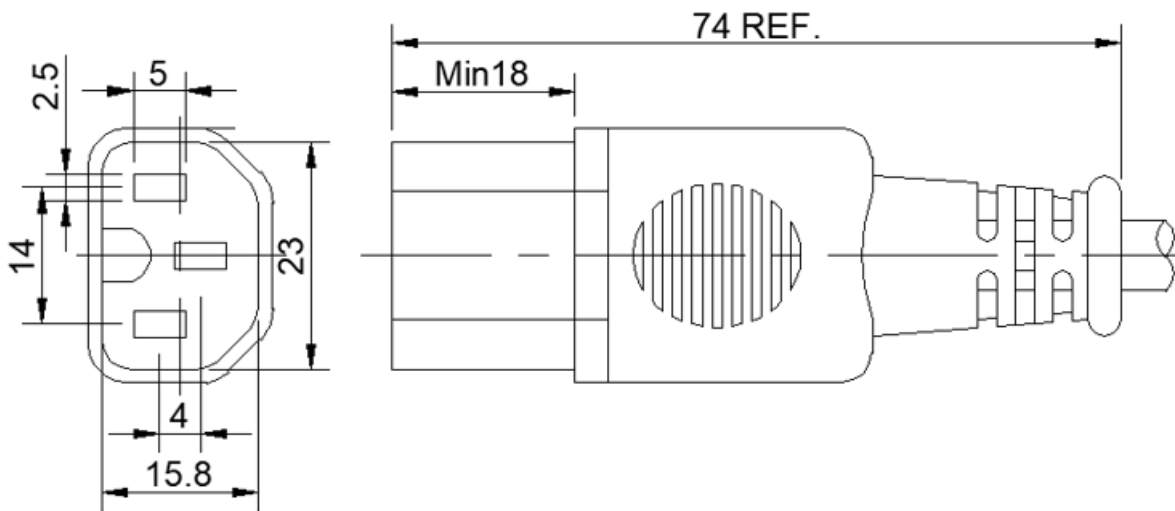
Lee Yuen

### EUROPE STANDARD



Plug No. LY-18A  
 Type C15  
 Std. DIN EN 60320-1 (VDE 0625-1):2016-04; EN 60320-1:2015 + AC:2016, IEC 60320-1:2015  
 Max. Rating 10A 250V  
 Safety Approval VDE

Cable Type	Size	Rating	Remarks
H03RT-H	3X0.75mm <sup>2</sup> (max. 2 m)	10A 250V	VDE
H03RT-H	3X1.0mm <sup>2</sup> 3X1.5mm <sup>2</sup>		
H05RN-F	3X0.75mm <sup>2</sup> (max. 2 m)		
H05RR-F	3X0.75mm <sup>2</sup> (max. 2 m)		
H05RR-F	3X1.0mm <sup>2</sup>		







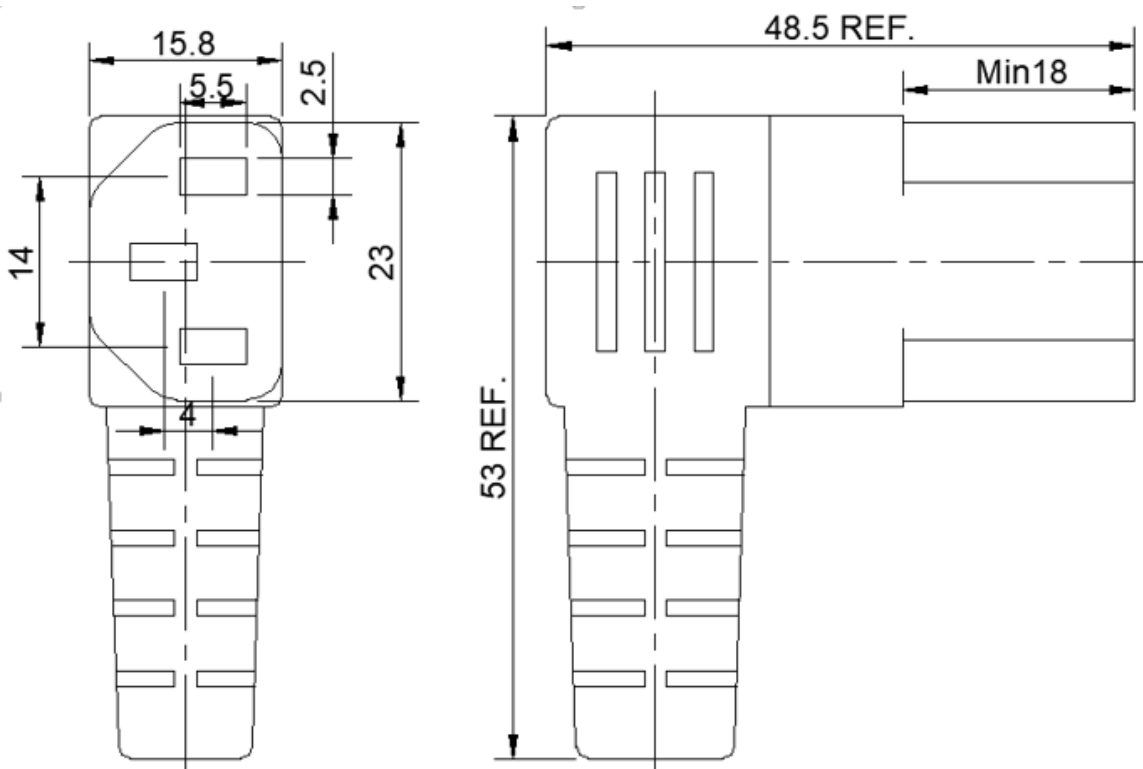
Lee Yuen

*EUROPE STANDARD*

Plug No. LY-18L  
 Type C13  
 Std. IEC 60884-1:2002+A1:20006  
 +A2:2013  
 Max.Rating 10A 250V  
 Safety Approval NEMKO,FIMKO



Cable Type	Size	Rating	Remarks
H05VV-F	3X0.75mm <sup>2</sup> (max. 2 m)	10A 250V	NEMKO,FIMKO
H05VV-F	3X1.0mm <sup>2</sup>	10A 250V	





Lee Yuen

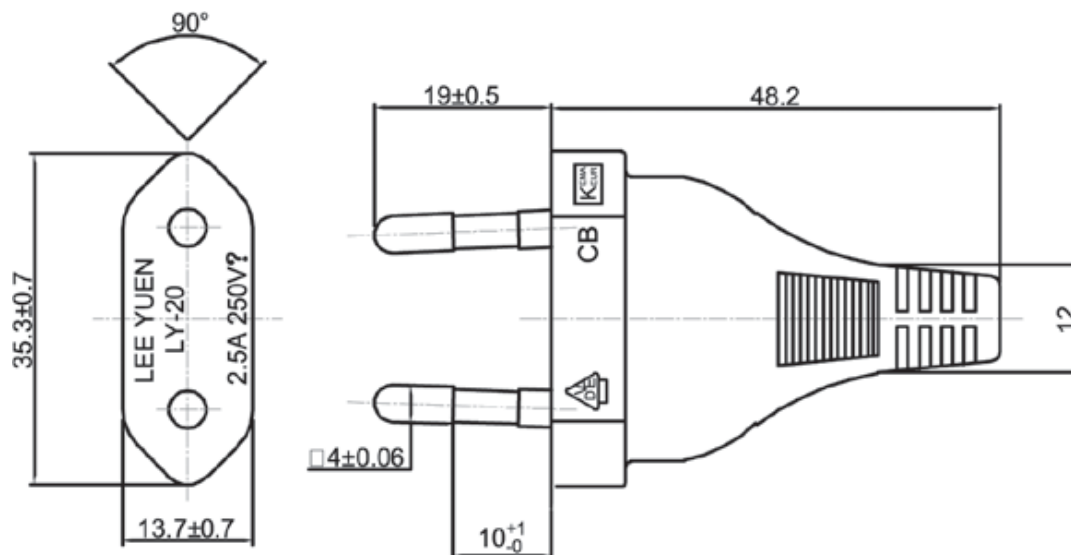


EUROPE STANDARD

Plug No. LY-20  
 Type CEE 7/16  
 Std. EN 50075:1990  
 Max.Rating 2.5A 250V  
 Safety Approval FIMKO



Cable Type	Size	Rating	Remarks
H03VV-F H03VVH2-F H05VV-F H05VVH2-F	2X0.75mm <sup>2</sup>	2.5A 250V	FIMKO





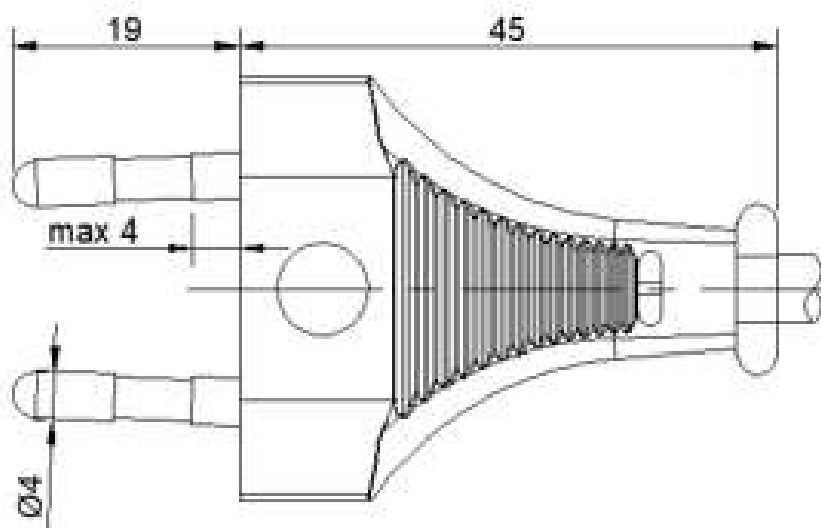
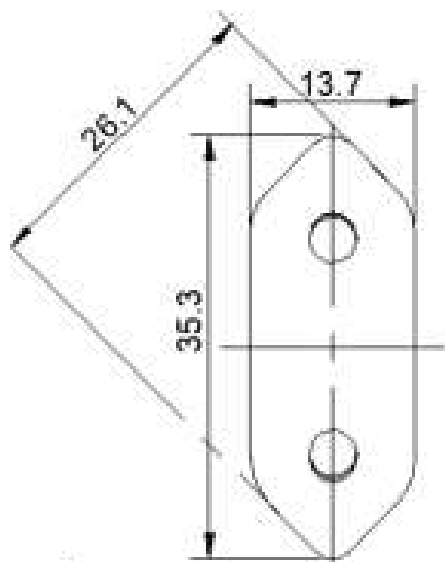
Lee Yuen

*EUROPE STANDARD*



Plug No. LY-21  
 Type CEE 7/17  
 Std. DIN VDE 0620 Teil 101:1992-05; EN 50075:1990  
 Max.Rating 2.5A 250V  
 Safety Approval DEMKO,KEMA,SEMKO,SWISS, NEMKO.CEBEC.NF.OVE.VDE.

Cable Type	Size	Rating	Remarks
H03VVH2-F	2X0.5mm2 (MAX 2.0m)	2.5A 250V	DEMKO,KEMA,SEMKO,SWISS,NEMKO,CEBEC,NF,OVE,VDE, IMQ
H03VVH2-F	2X0.75mm2	2.5A 250V	DEMKO,KEMA,SEMKO,SWISS,NEMKO,CEBEC,NF,OVE,VDE, IMQ
H05VVH2-F	2X0.75mm2	2.5A 250V	SWISS,NEMKO,CEBEC,NF,OVE VDE,IMQ
H05VVH2-F	2X1.0mm2	2.5A 250V	SWISS,NEMKO,NF,OVE,VDE
H03VV-F	2X0.5mm2 (MAX 2.0m)	2.5A 250V	SEMKO,CEBEC,NF,OVE,IMQ
H03VVH2H8-F	2X0.5mm2 (MAX 2.0m)	2.5A 250V	SWISS,NEMKO,NF,OVE
H03VVH2H8-F H05VVH2H8-F	2X0.75mm2	2.5A 250V	SWISS,NEMKO,NF,OVE,VDE
H03RNH2-F	2X0.75mm2	2.5A 250V	VDE





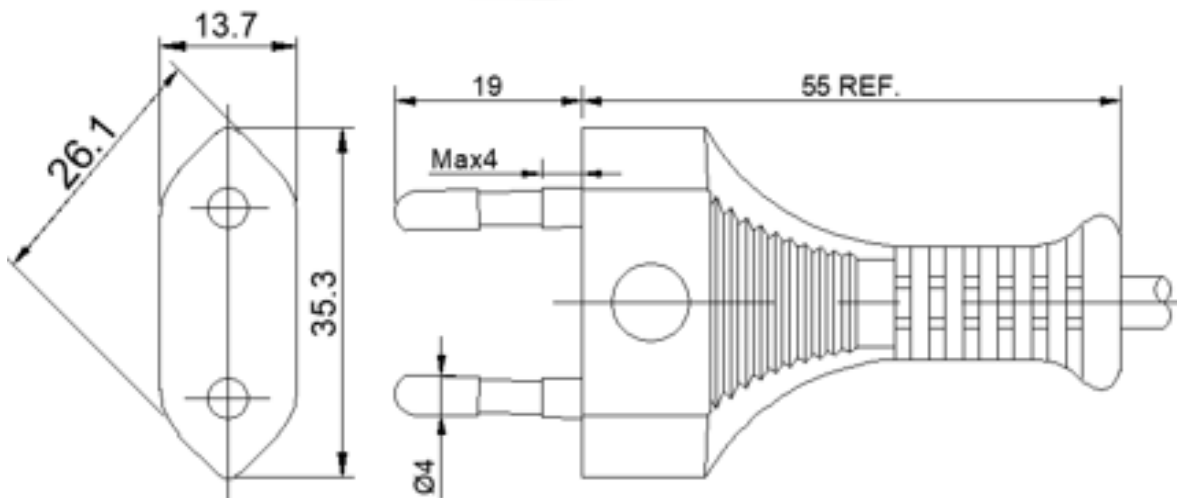
Lee Yuen

*EUROPE STANDARD*

Plug No. LY-21B  
 Type CEE 7/17  
 Std. EN 50075:1990  
 Max.Rating 2.5A 250V  
 Safety Approval NEMKO, IMQ



Cable Type	Size	Rating	Remarks
H03VV-F	2X0.5mm <sup>2</sup> (MAX 2.0m)	2.5A 250V	NEMKO
H03VV-F	2X0.75mm <sup>2</sup>	2.5A 250V	NEMKO,CEBEC
H05VV-F	2X0.75mm <sup>2</sup>	2.5A 250V	NEMKO
H05VV-F	2X1.0mm <sup>2</sup>	2.5A 250V	NEMKO,CEBEC
H03VVH2-F	2X0.75mm <sup>2</sup>	2.5A 250V	DEMKO,KEMA
H05VVH2-F	2X0.75mm <sup>2</sup>	2.5A 250V	DEMKO,KEMA
H03VVH8-F	2X0.5mm <sup>2</sup> (MAX 2.0m)	2.5A 250V	NEMKO
H03VVH8-F	2X0.75mm <sup>2</sup>	2.5A 250V	NEMKO





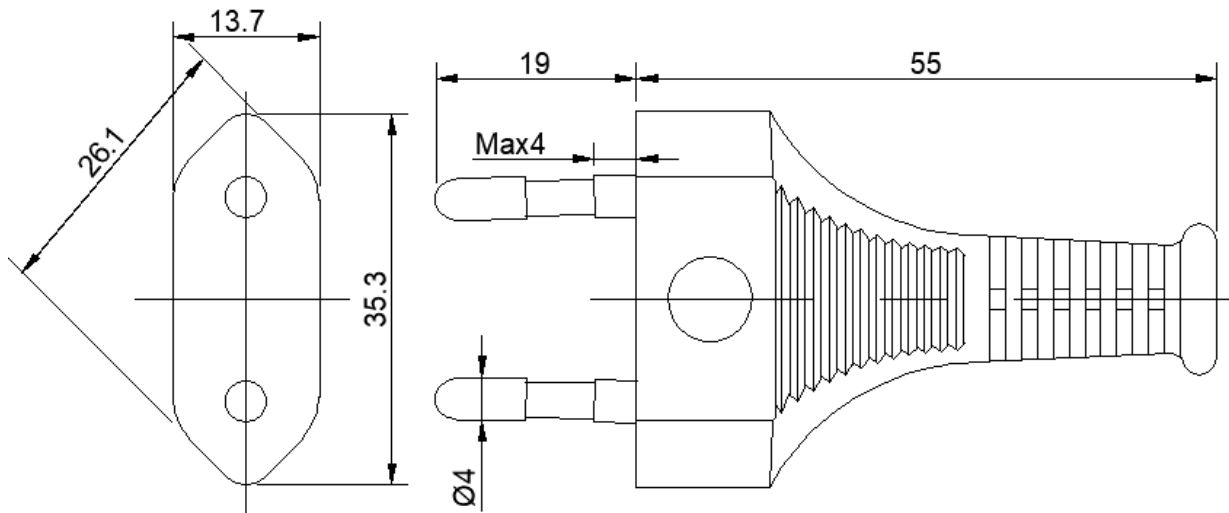
Lee Yuen

*EUROPE STANDARD*



Plug No. LY-21C  
 Type CEE 7/16  
 Std. EN 50075:1990  
 Max.Rating 2.5A 250V  
 Safety Approval FIMKO

Cable Type	Size	Rating	Remarks
H03VVH2-F	2X0.5mm2(MAX 2.0m)	2.5A 250V	FIMKO
H03VV-F	2X0.5mm2(MAX 2.0m)	2.5A 250V	FIMKO





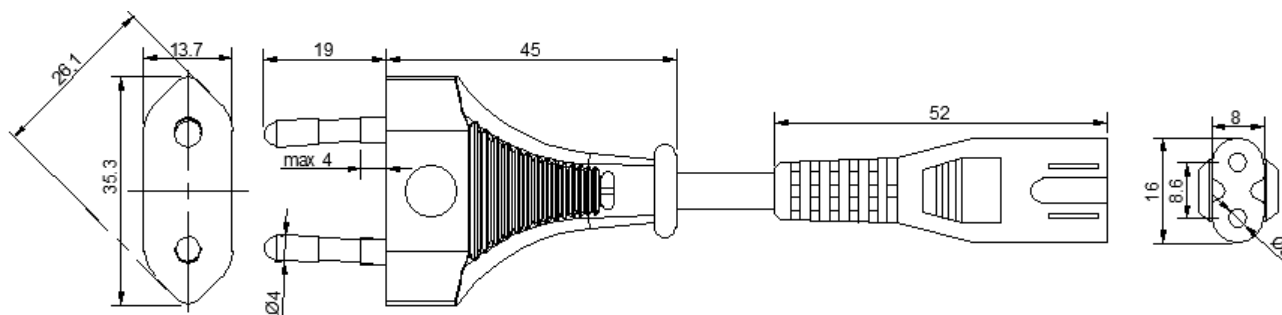
Lee Yuen

*EUROPE STANDARD*

Plug No. LY-21/LY-22  
 Type  
 Std. EN 60799:1998;DIN EN 60799:1999-06  
 Max.Rating 2.5A 250V  
 Safety Approval



Cable Type	Size	Rating	Remarks
H03VVH2-F/ H03VV-F	2X0.5mm2(MAX 2.0m)	2.5A 250V	
H03VVH2-F	2X0.75mm2	2.5A 250V	





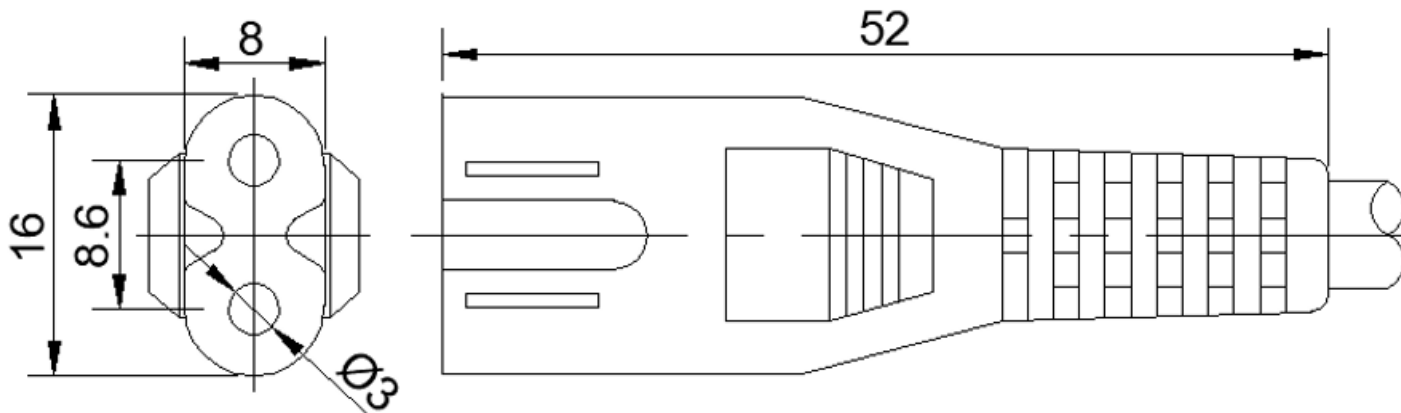
Lee Yuen

*EUROPE STANDARD*

Plug No. LY-22  
 Type C7  
 Std. DIN EN 60320-1 (VDE 0625-1):2016-04; EN 60320-1:2015 + AC:2016  
 IEC 60320-1:2015/AMD1:2018  
 Max.Rating 2.5A 250V  
 Safety Approval KEMA,CEBEC,NF,VDE



Cable Type	Size	Rating	Remarks
H03VVH2-F	2X0.5mm2(MAX 2.0m)	2.5A 250V	KEMA,CEBEC,NF,VDE
H03VVH2-F	2X0.75mm2	2.5A 250V	KEMA,CEBEC,NF,VDE
H05VVH2-F	2X0.75mm2	2.5A 250V	KEMA,ENEC
H03VV-F	2X0.5mm2(MAX 2.0m)	2.5A 250V	CEBEC,NF,VDE,ENEC
H03VV-F	2X0.75mm2	2.5A 250V	ENEC





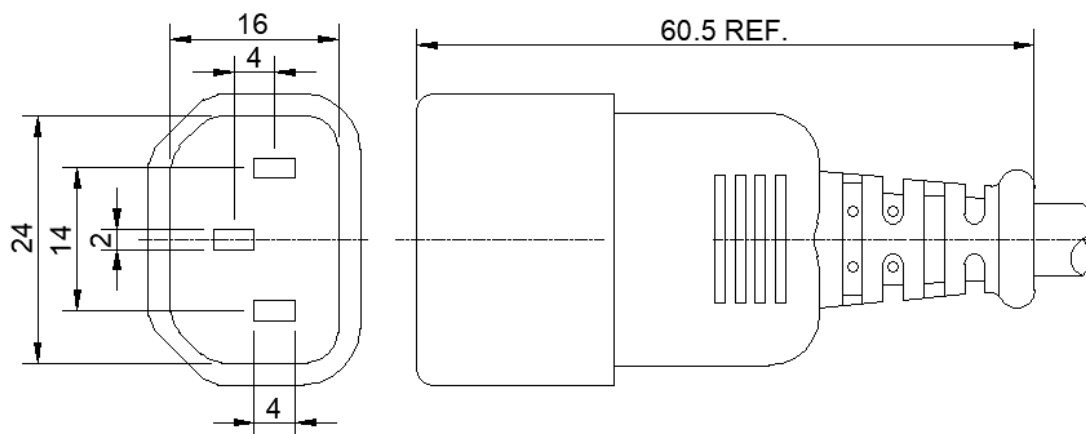
Lee Yuen

**EUROPE STANDARD**



Plug No. LY-23  
 Type C14  
 Std. IEC 60320  
 Max. Rating 2.5A 250V  
 Safety Approval SWISS, KEMA, NEMKO,  
 SEMKO, CEBEC, NF,  
 ENEC

Cable Type	Size	Rating	Remarks
H05VV-F	3X0.75mm <sup>2</sup>	10A 250V	SWISS, KEMA, NEMKO, SEMKO, CEBEC, NF, ENEC
H05VV-F	3X1.0mm <sup>2</sup>	10A 250V	







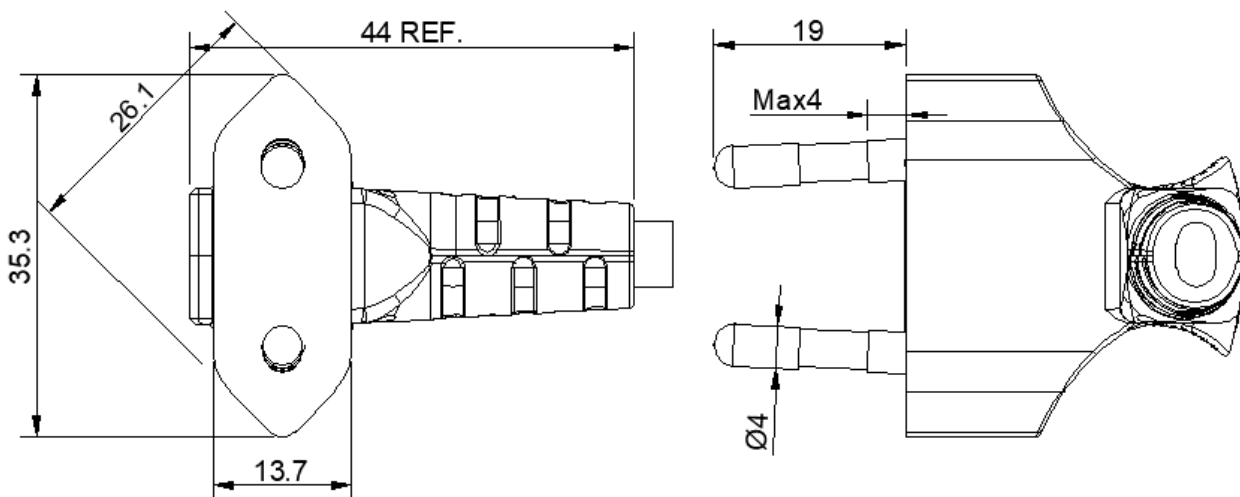
Lee Yuen

### EUROPE STANDARD

Plug No. LY-21L  
 Type CEE 7/17  
 Std. DIN VDE 0620 Teil 101:1992-05;  
 EN 50075:1990  
 IEC 60320-1:2015/AMD1:2018  
 Max.Rating 2.5A 250V  
 Safety Approval VDE



Cable Type	Size	Rating	Remarks
H03VVH2-F	2X0.5mm <sup>2</sup> (max. 2 m)	2.5A 250V	VDE
H03VVH2-F	2X0.75mm <sup>2</sup>	2.5A 250V	
H05VVH2-F	2X0.75mm <sup>2</sup>	2.5A 250V	
H05VVH2-F	2X1.0mm <sup>2</sup>	2.5A 250V	





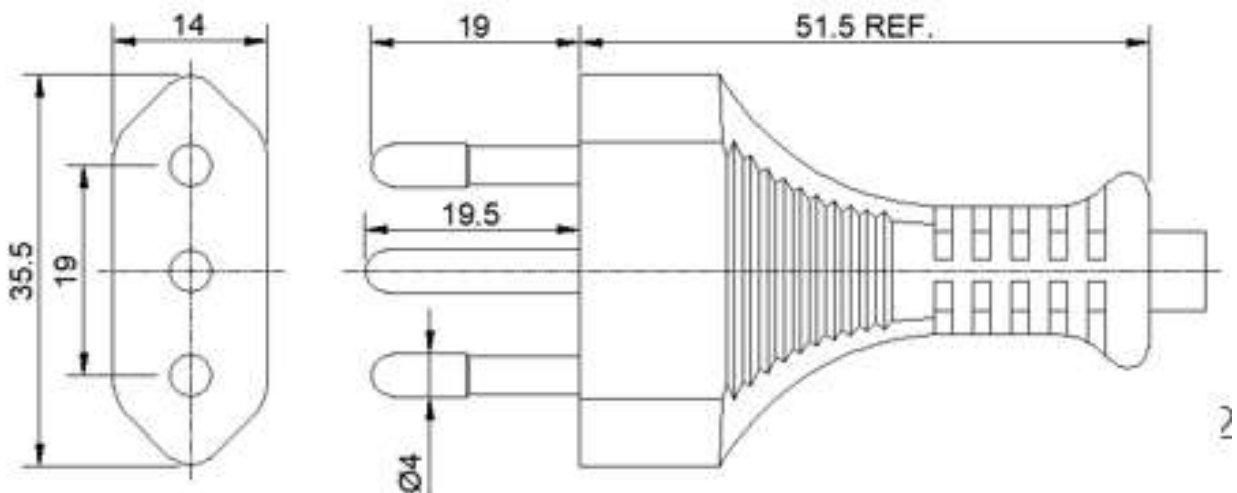
Lee Yuen

## EUROPE STANDARD

Plug No. LY-16-1  
 Type 2P+T S11 / 2P+E S11  
 Std. CEI 23-50 - II Ed. 2007 + V1:2008 +  
 V2:2011 + V3:2015  
 Max. Rating 10A 250V  
 Safety Approval IMQ



Cable Type	Size	Rating	Remarks
H03VV-F	3X0.75mm <sup>2</sup>	10A 250V	IMQ
H05VV-F	3X0.75mm <sup>2</sup>	10A 250V	
H05VV-F	3X1.0mm <sup>2</sup>	10A 250V	
H05V2V2-F	3X0.75mm <sup>2</sup>	10A 250V	
H05V2V2-F	3X1.0mm <sup>2</sup>	10A 250V	
H05RR-F	3X0.75mm <sup>2</sup>	10A 250V	
H05RR-F	3X1.0mm <sup>2</sup>	10A 250V	
H05RN-F	3X0.75mm <sup>2</sup>	10A 250V	
H05RN-F	3X1.0mm <sup>2</sup>	10A 250V	





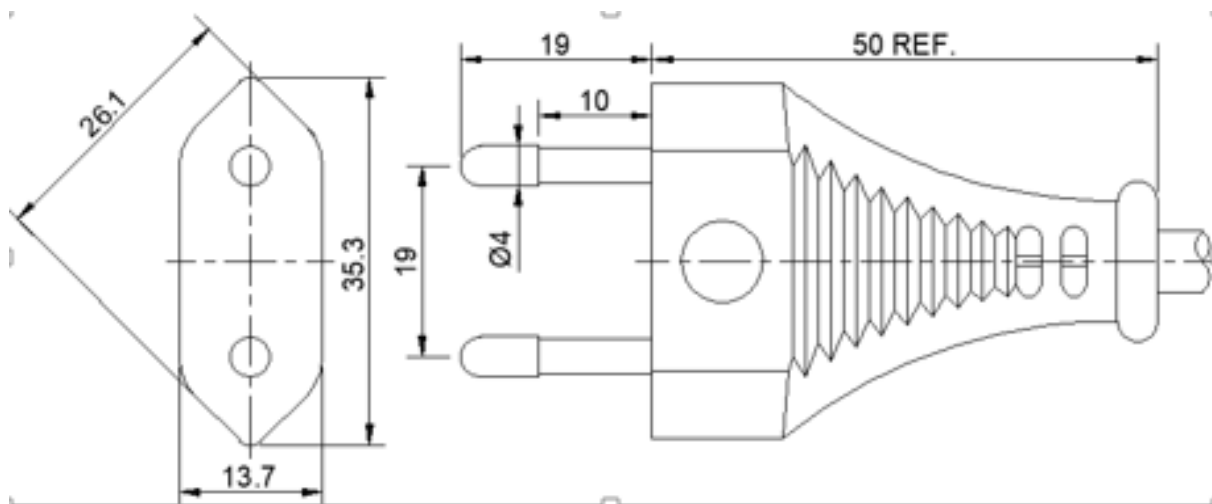
Lee Yuen

## EUROPE STANDARD

Plug No. LY-210  
 Type 2P S10  
 Std. CEI 23-50 - II Ed. 2007 + V1:2008 +  
 V2:2011 + V3:2015  
 Max.Rating 10A 250V  
 Safety Approval IMQ



Cable Type	Size	Rating	Remarks
H03VVH2-F	2X0.75mm <sup>2</sup>	10A 250V	IMQ
H05VVH2-F	2X0.75mm <sup>2</sup>	10A 250V	
H05VVH2-F	2X1.0mm <sup>2</sup>	10A 250V	
H03VV-F	2X0.75mm <sup>2</sup>	10A 250V	
H05VV-F	2X0.75mm <sup>2</sup>	10A 250V	
H05VV-F	2X1.0mm <sup>2</sup>	10A 250V	





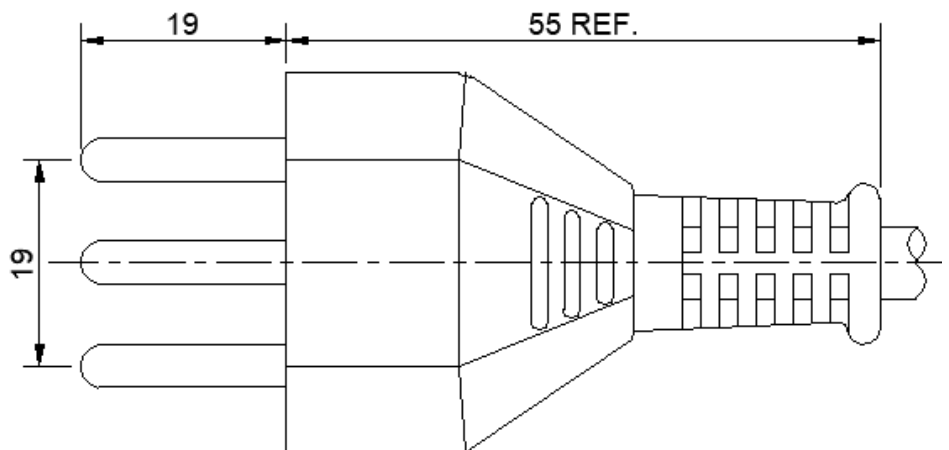
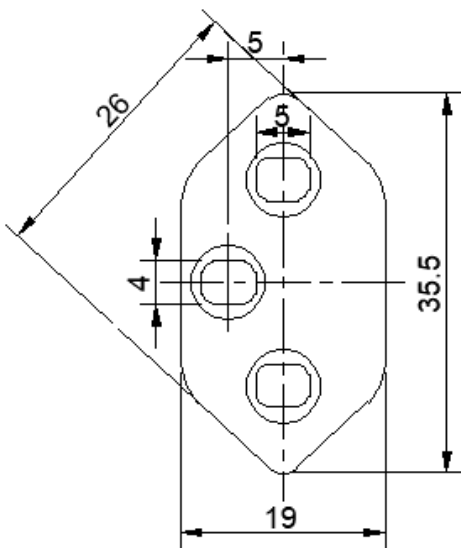
Lee Yuen

## EUROPE STANDARD

Plug No. LY-29A  
Type CH-TYPE23, standard sheet 2023-2  
Std. IEC 60884-1(ed.3):2002+A1:06+A2:13  
SN 441011-1:2019+corr1:19  
SN 441011-2-1:2019+corr1:19  
Max.Rating 16A 250V  
Safety Approval Swiss



Cable Type	Size	Rating	Remarks
H05VV-F	3X1.0mm <sup>2</sup>	16A 250V	Swiss
H05VV-F	3X1.5mm <sup>2</sup>	16A 250V	





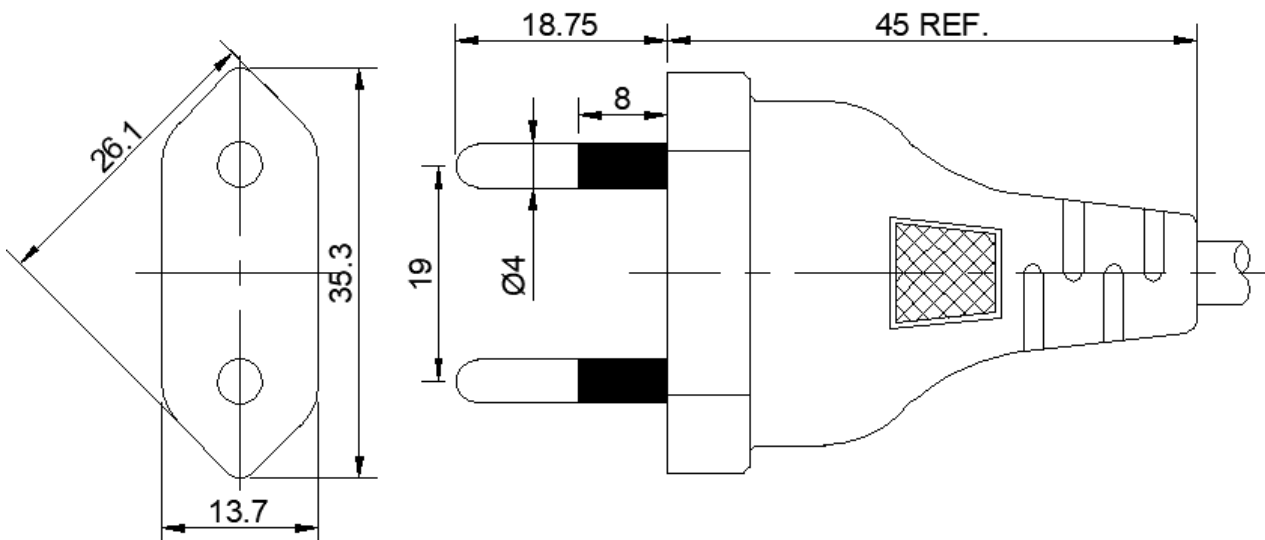
Lee Yuen

### EUROPE STANDARD

Plug No. LY-11BR  
 Type CH-TYPE11, standard sheet 2011-2  
 Std. IEC 60884-1(ed.3):2002+A1:06+A2:13  
 SN 441011-1:2019+corr1:19  
 SN 441011-2-1:2019+corr1:19  
 Max.Rating 10A 250V  
 Safety Approval Swiss

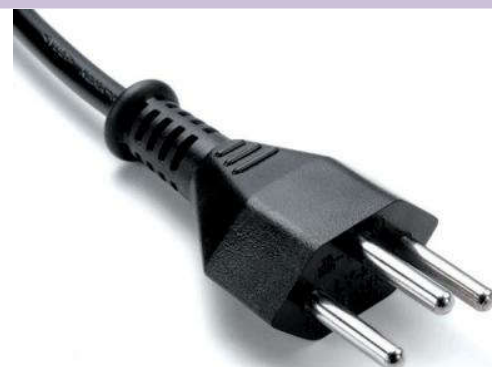


Cable Type	Size	Rating	Remarks
H03VV-F	2x0.75mm <sup>2</sup>	10A 250V	Swiss
H05VV-F	2x0.75mm <sup>2</sup>	10A 250V	
H05VV-F	2x1.0mm <sup>2</sup>	10A 250V	
H03VVH2-F	2x0.75mm <sup>2</sup>	10A 250V	
H05VVH2-F	2x0.75mm <sup>2</sup>	10A 250V	
H05VVH2-F	2x1.0mm <sup>2</sup>	10A 250V	



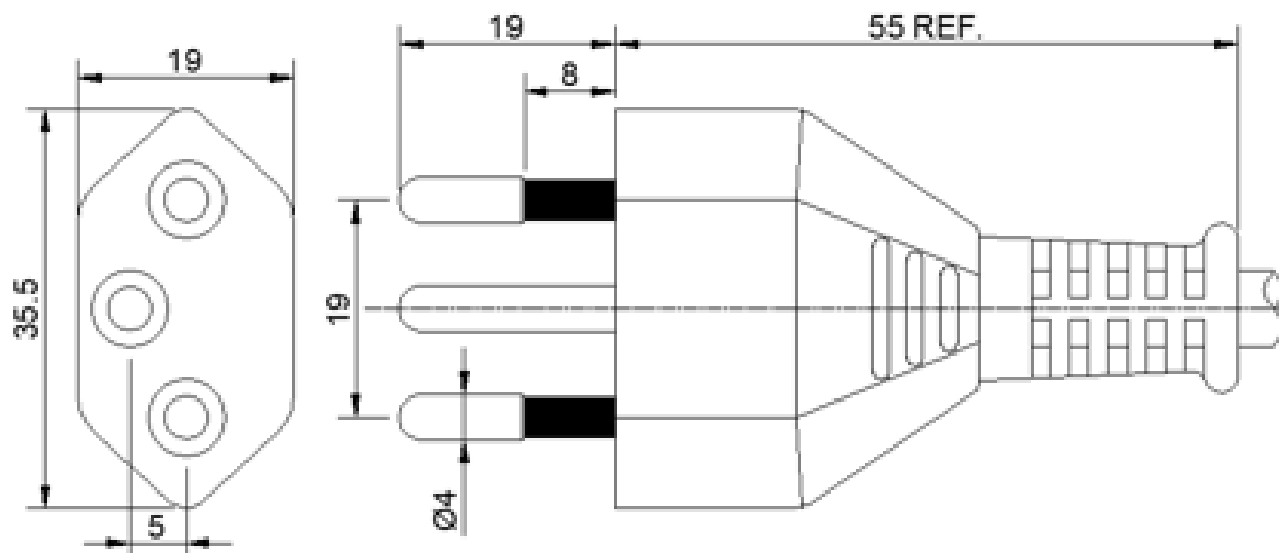


### EUROPE STANDARD



Plug No. LY-29  
 Type CH-TYPE12, standard sheet 2012-2  
 Std. IEC 60884-1(ed.3):2002+A1:06+A2:13  
 SN 441011-1:2019+corr1:19  
 SN 441011-2-1:2019+corr1:19  
 Max.Rating 10A 250V  
 Safety Approval Swiss

Cable Type	Size	Rating	Remarks
H03VV-F	2x0.75mm <sup>2</sup>	10A 250V	Swiss
H05VV-F	2x0.75mm <sup>2</sup>	10A 250V	
H05VV-F	2x1.0mm <sup>2</sup>	10A 250V	
H05V2V2-F	2x0.75mm <sup>2</sup>	10A 250V	
H05V2V2-F	2x1.0mm <sup>2</sup>	10A 250V	

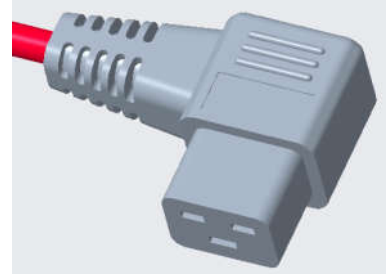




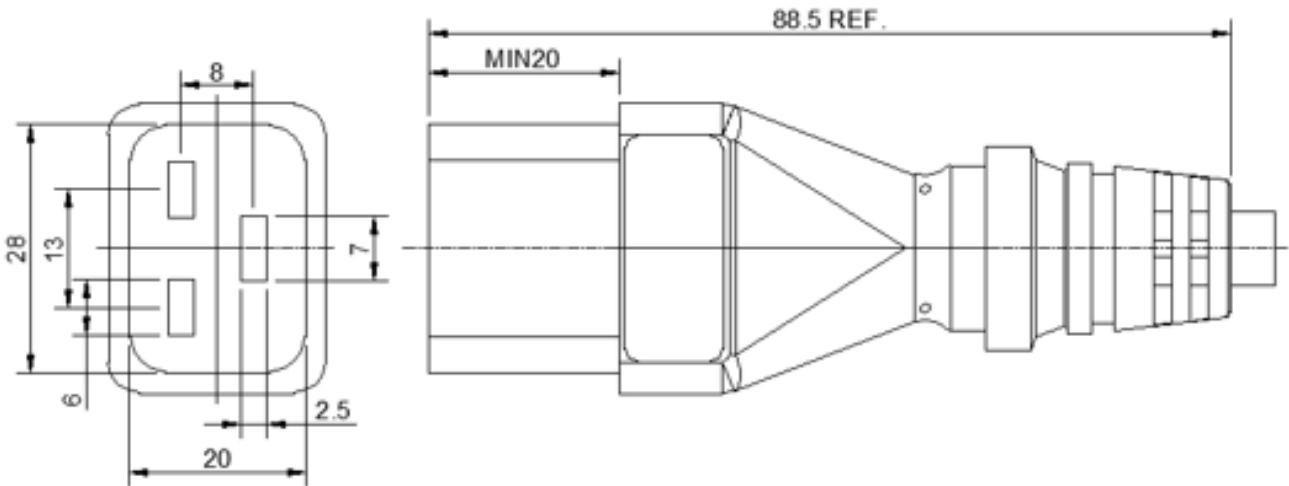
Lee Yuen

### EUROPE STANDARD

Plug No. LY-108/LY-108L  
 Type C19  
 Std. EN 60320-1  
 Max. Rating 16A 250V  
 Safety Approval ENEC



Cable Type	Size	Rating	Remarks
H05VV-F	3G1.0mm <sup>2</sup>	16A 250V	ENEC
H05VV-F	3G1.5mm <sup>2</sup>	16A 250V	
H05VV-F	3G2.5mm <sup>2</sup>	16A 250V	





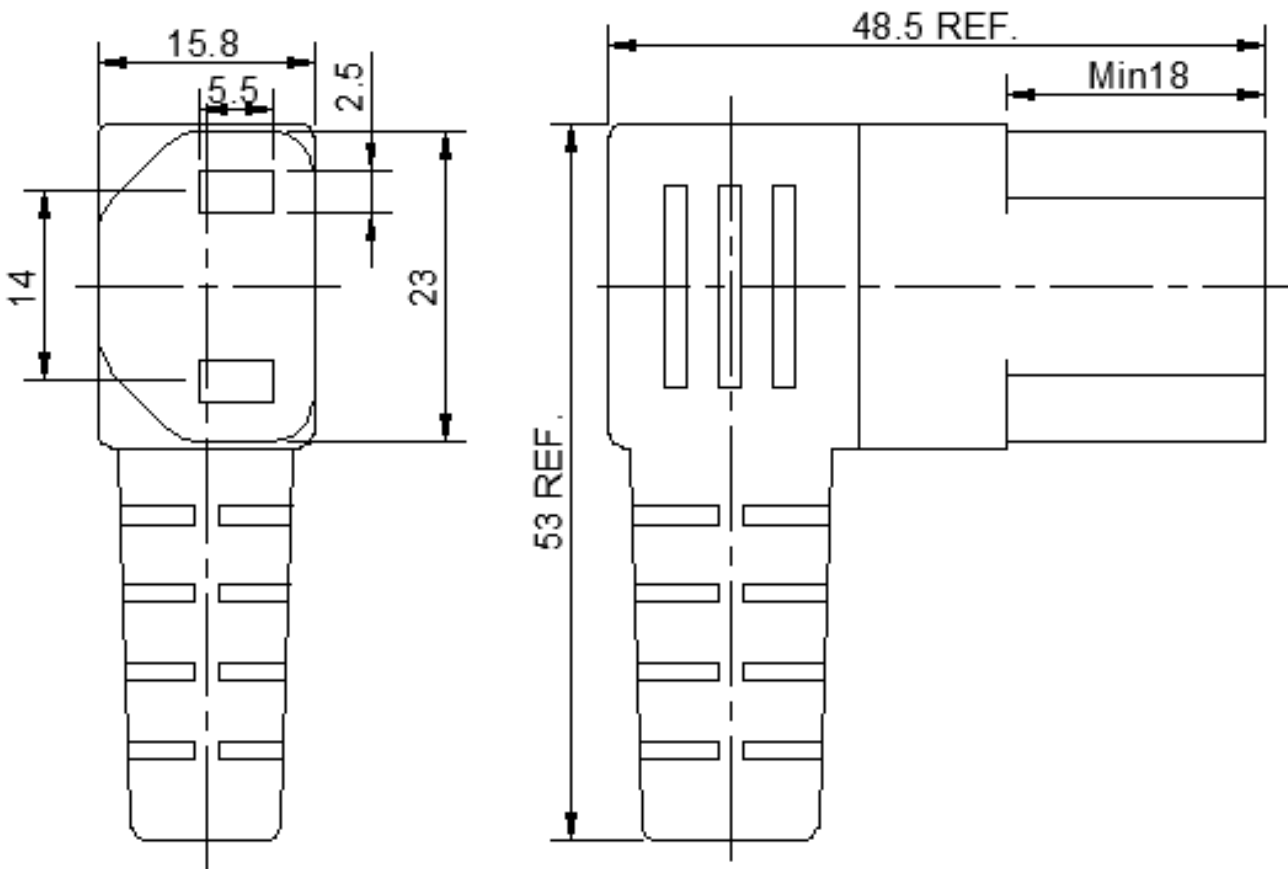
Lee Yuen

## EUROPE STANDARD

Plug No. LY-C17L  
Type C17  
Std. EN 60320-1:2015 ; EN 60320-3:2014  
Max. Rating 10A 250V  
Safety Approval ENEC



Cable Type	Size	Rating	Remarks
H05VV-F	2X0.75mm <sup>2</sup>	10A 250V	ENEC
H05VV-F	2X1.0mm <sup>2</sup>	10A 250V	
H05VVH2-F	2X0.75mm <sup>2</sup>	10A 250V	
H05VVH2-F	2X1.0mm <sup>2</sup>	10A 250V	





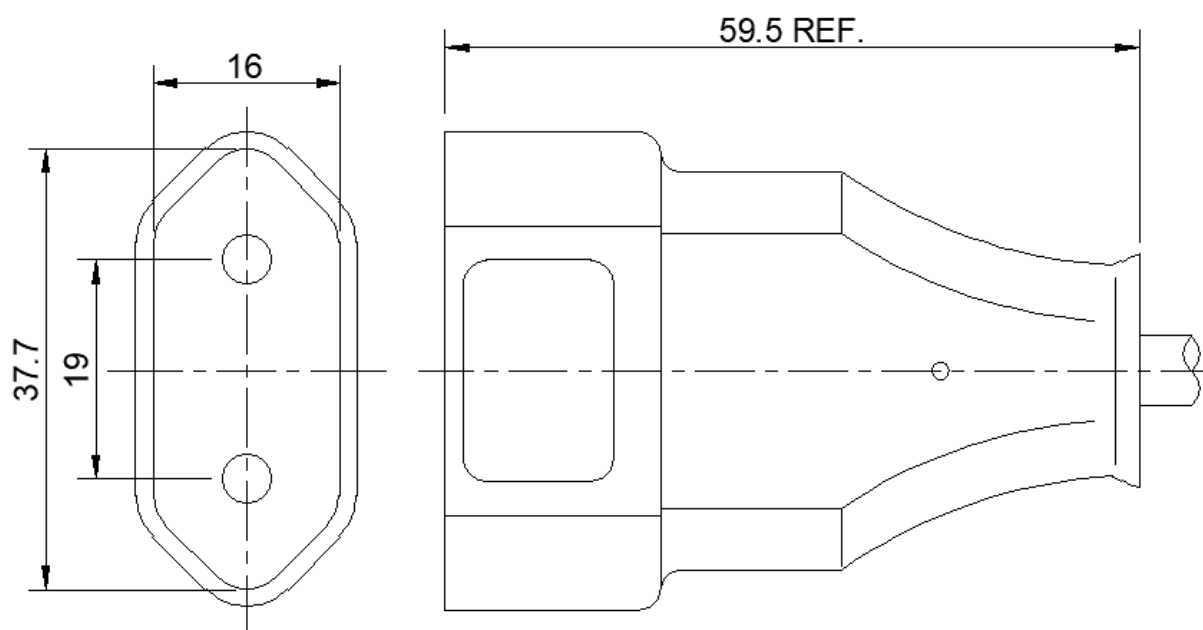


*EUROPE STANDARD*

Plug No. LY-24  
Type CEE7  
Std. EN 50075:1990  
Max.Rating 2.5A 250V  
Safety Approval Non Std.



Cable Type	Size	Rating	Remarks
H03VVH2-F	2X0.75mm <sup>2</sup>	2.5A 250V	Non Std.





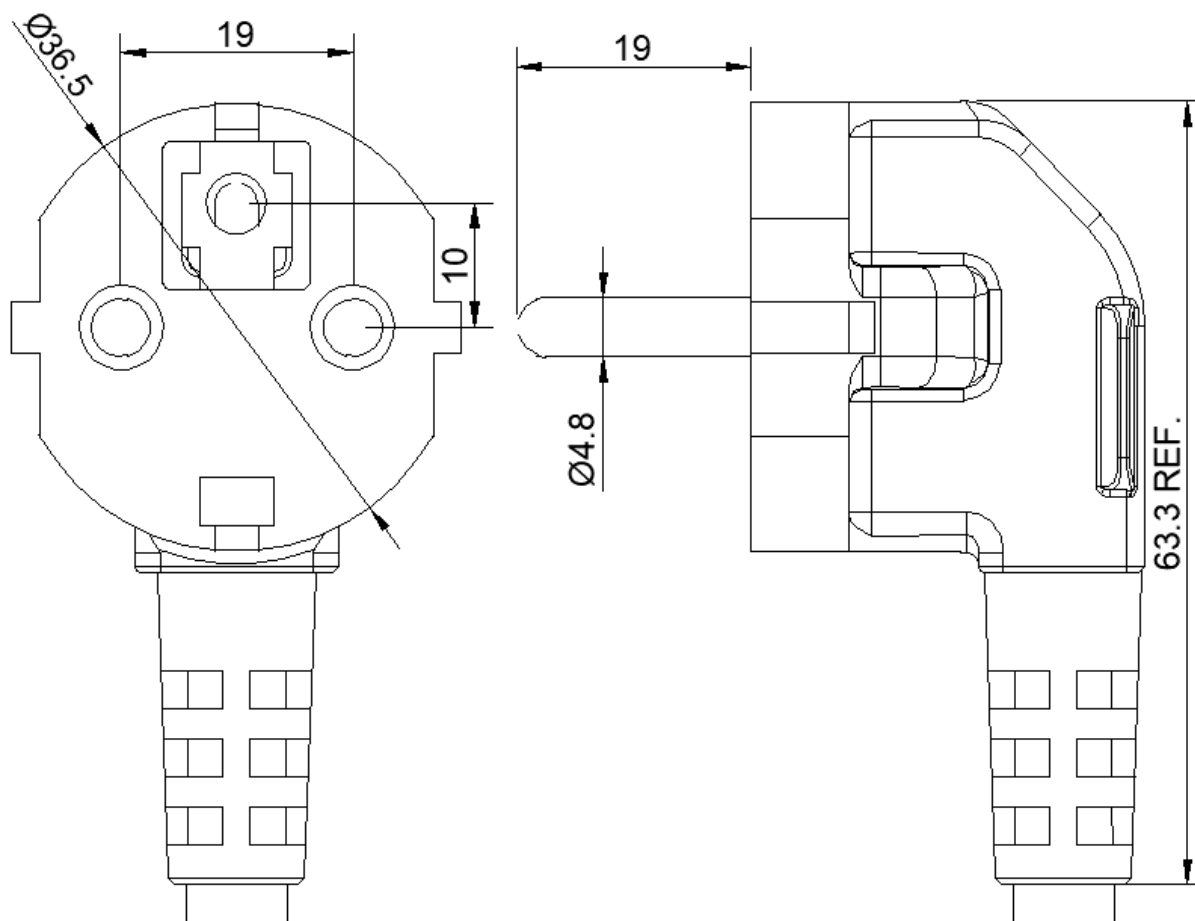
Lee Yuen

*EUROPE STANDARD*



Plug No. LY-112  
 Type DIN 49441-R2  
 Std. DIN VDE 0620-2-1 (VDE 0620-2-1):2016-01  
 DIN VDE 0620-2-1/A1 (VDE 0620-2-1/A1):2017-09  
 Max.Rating 16A 250V  
 Safety Approval VDE

Cable Type	Size	Rating	Remarks
H03VV-F	3X0.75mm <sup>2</sup>	16A 250V	VDE
H05VV-F	3X0.75mm <sup>2</sup>	16A 250V	
H05VV-F	3X1.0mm <sup>2</sup>	16A 250V	
H05VV-F	3X1.5mm <sup>2</sup>	16A 250V	





Lee Yuen

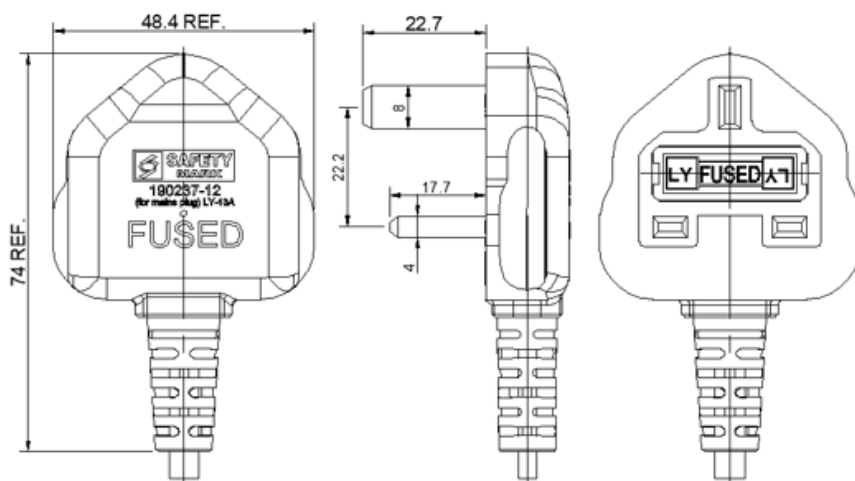


### UK/IRELAND/SINGAPORE/SAUDI ARABIA/SOUTH AFRICA STANDARD

Plug No. LY-13A  
 Std. BS 1363-1:2016+A1:2018  
 SASO 2203:2018  
 SS 145: Part 1:2010  
 Max.Rating 13A 250V  
 Safety Approval ASTA, GCC



Cable Type	Size	Rating	Remarks
H03VVH2-F/ H05VVH2-F/ H03VV-F/ H05VV-F	2X0.75mm <sup>2</sup>	6A 250V	ASTA,GCC
H03V2V2H2-F/ H05V2V2H2-F	2X0.75mm <sup>2</sup>	6A 250V	
H03VVH2-F	2X0.75mm <sup>2</sup> (max. 2 m)	10A 250V	
H05VVH2-F	2X0.75mm <sup>2</sup> (max. 2 m)	10A 250V	
H05VVH2-F/ H05VV-F	2X1.0mm <sup>2</sup>	10A 250V	
H05VV-F	2X0.75mm <sup>2</sup> (max. 2 m)	10A 250V	
H03V2V2H2-F	2X0.75mm <sup>2</sup> (max. 2 m)	10A 250V	
H05V2V2H2-F	2X0.75mm <sup>2</sup> (max. 2 m)	10A 250V	
H05V2V2H2-F	2X1.0mm <sup>2</sup>	10A 250V	
H03VV-F/ H05VV-F	3X0.75mm <sup>2</sup>	6A 250V	
H05VV-F/ H05V2V2-F	3X1.0mm <sup>2</sup>	10A 250V	
H05VV-F	3X1.5mm <sup>2</sup>	13A 250V	
H05V2V2-F	3X0.75mm <sup>2</sup>	6A 250V	
H05V2V2-F	3X1.5mm <sup>2</sup>	13A 250V	





Lee Yuen

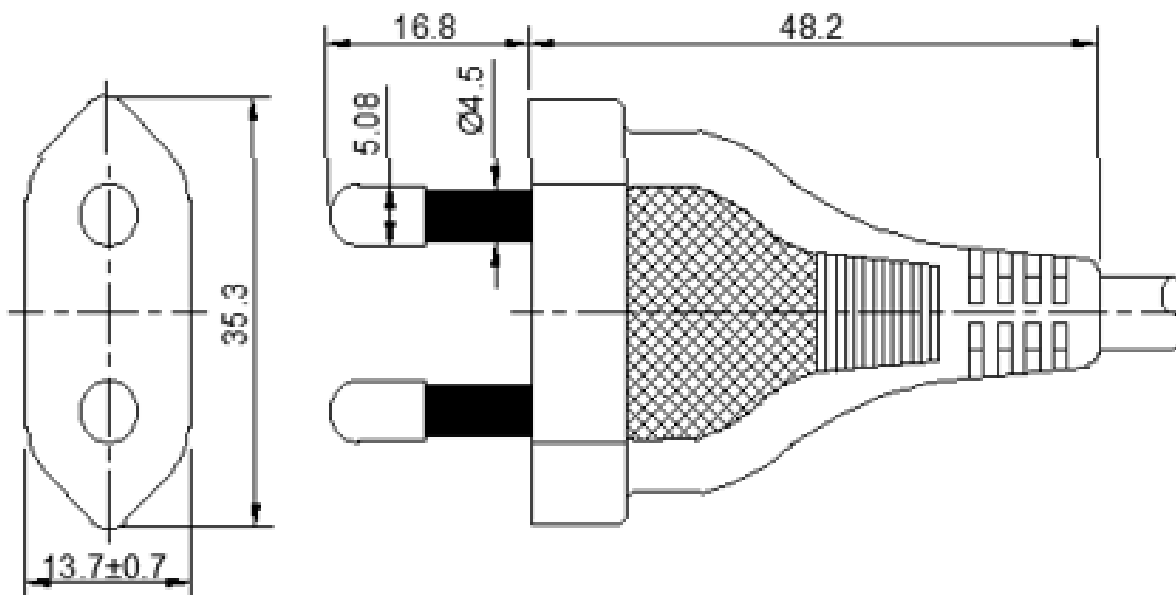


**UK/IRELAND/SINGAPORE/SAUDI ARABIA/SOUTH AFRICA STANDARD**

Plug No. LY-97  
 Std. BS 4573: 1970 +A5: 2016  
 Max.Rating 0.2A  
 Safety Approval ASTA



Cable Type	Size	Rating	Remarks
H03VVH2-F	2X0.75mm <sup>2</sup>	0.2A	ASTA
H05VVH2-F	2X0.75mm <sup>2</sup>	0.2A	
H03VV-F	2X0.75mm <sup>2</sup>	0.2A	





# POWER CABLE

## Power Cable

All the Thermoplastic power cable is made in our factory. It covered 4 major area included America, Europe, Japan and China.



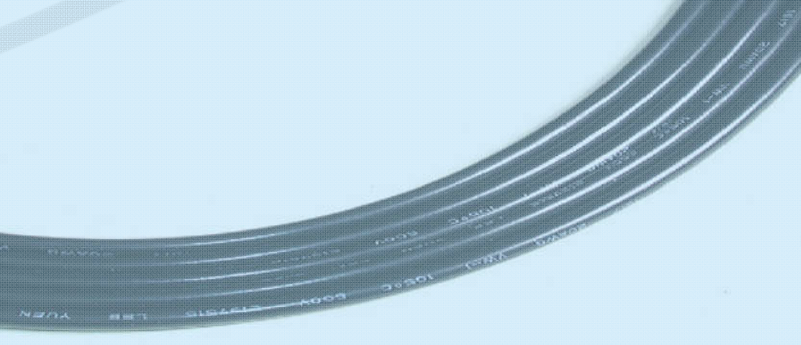
<b>EU SERIES</b>	Flat Cable	H03VVH2-F
		H05VVH2-F
	Round Cable	H03VV-F
		H05VV-F
	Coiling Flat	H03VVH2H8-F
		H03VVH8-F
		H05VVH8-F
		H05VVH2H8-F
	PVC High Temperature Cable	H03V2V2H2-F
		H03V2V2-F
		H05V2V2-F
	Silicone rubber insulation cable	H03S-K
		H05S-K
	Crosslinked Elostameric Insulation Cable	H05RR-F
		H05RN-F
H07RN-F		
Braided Cable	H03RT-H	

<b>JAPAN SERIES</b>	Round Cable	VSF
		VCTF
		HVCTF
		VCT
		HVCT
	Flat Cable	VFF
		HVFF
		VCTFK
		HVCTFK





# POWER CABLE



<b>US SERIES</b>	Parallel Cable	SPT-1, SPT-2 SPT-3
		SPT-1W, SPT-2W
		SPT-2-R
	Flat Cable	NISPT-1, NISPT-2 NISPT-2-R
		XTW, CXTW
		SV,SVT, SVTO
	Round Cable	SJT, SJTW
		SJTO, SJTOW
		ST, STW
		STO, STOW
		CXTW

<b>CHINA SERIES</b>	Flat Cable	60227 IEC52 RVV 300/300V
		60227 IEC53 RVV 300/500V
		60227 IEC 56(RVV-90) 300/300V
	Round Cable	60227 IEC 57(RVV-90) 300/500V
		60227 IEC52 RVV 300/300V
		60227 IEC53 RVV 300/500V
		60227 IEC 56(RVV-90) 300/300V
		60227 IEC 57(RVV-90) 300/300V



## POWER CABLE



# POWER CABLE

## AMERICAN PARALLEL POWER SUPPLY CORD

SPT-1/SPT-1W/SPT-2/SPT-2W/SPT-2-R/SPT-3

UL FILE NO: E137516 CSA FILE NO: LL98108/183511

### Description

Conductor: soft bare copper conductor Insulation: PVC insulation

Jacket: PVC Jacket

Rated temperature: 60°C or 105°C Rated voltage: 300V

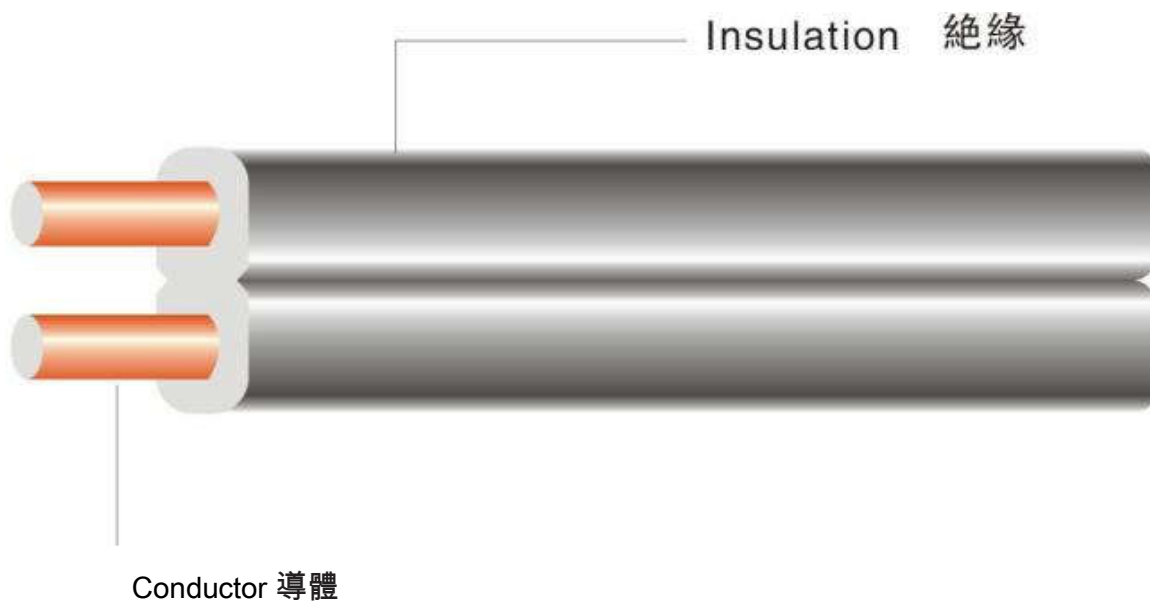
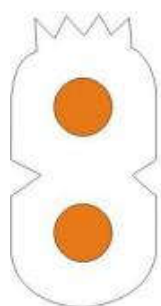
Water-resistant type SPT-2W is available Passed UL VW-1 & CSA FT1 flame test SPT-2R passed UL/CSA approval

Refer to standard CSA-C22.2 Refer to standard UL62

### Applications

For fan, lamp, hanging fixture, Radio, TV set stereo and small display, Sign, Refrigerator, washer and other appliances

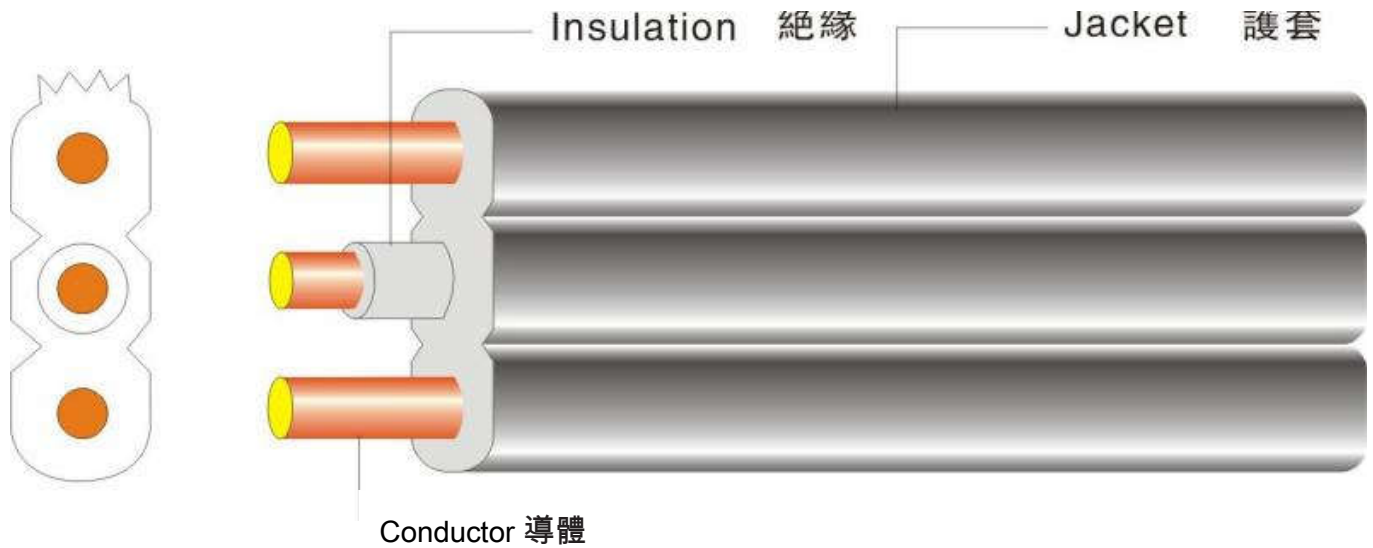
SPT-2





# POWER CABLE

SPT-3



Type	AWG	Conductor construction No./mm	No. of Conductor	Insulation Thickness (mm)	Insulation Diameter (mm)	Jacket Thickness (mm)	Overall Diameter (mm)	Rating AMP (A)
SPT-1/ SPT-1W	20	26/0.16	2	----	----	0.76	2.45×4.90	5
			3	0.38	1.8	0.76	2.50×5.80	5
	18	41/0.16	2	----	----	0.76	2.60×5.30	10
			3	0.38	2	0.76	2.65×7.00	10
SPT-2/ SPT-2W/SPT-2-R	18	41/0.16	2	---	----	1.14	3.35×6.50	10
			3	0.38	2	1.14	3.40×8.40	10
	16	65/0.16	2	---	---	1.14	3.65×7.25	13
			3	0.38	2.3	1.14	3.70×9.40	13
	14	41/0.254	2	---	---	2.03	6.00×10.80	15
	14		3	0.38	2.8	2.03	6.00×14.50	15
SPT-3	18	41/0.16	2	----	----	1.52	4.30×8.4	10
			3	0.38	2.1	1.52	4.30×9.95	10
	16	65/0.16	2	----	----	1.52	4.50×8.80	13
			3	0.38	2.3	1.52	4.50×10.80	13
	14	41/0.254	2	----	----	2.03	6.00×10.80	15
			3	0.38	2.8	2.03	6.00×14.50	15
	12	65/0.254	2	----	----	2.41	7.20×12.50	20
			3	0.38	3.2	2.41	7.20×16.05	20
10	104/0.254	2	----	----	2.79	8.60×14.30	25	
		3	0.38	3.75	2.79	8.60×18.60	25	





# POWER CABLE

## AMERICAN XTW/CXTW POWER SUPPLY CORD

UL FILE NO: UL FILE NO: E137516

### Description

Conductor: Annealed copper stranded conductor

Insulation: Water resistance PVC insulation

Rated temperature: 105°C

Rated voltage: 300V

Passed UL VW-1 flame test

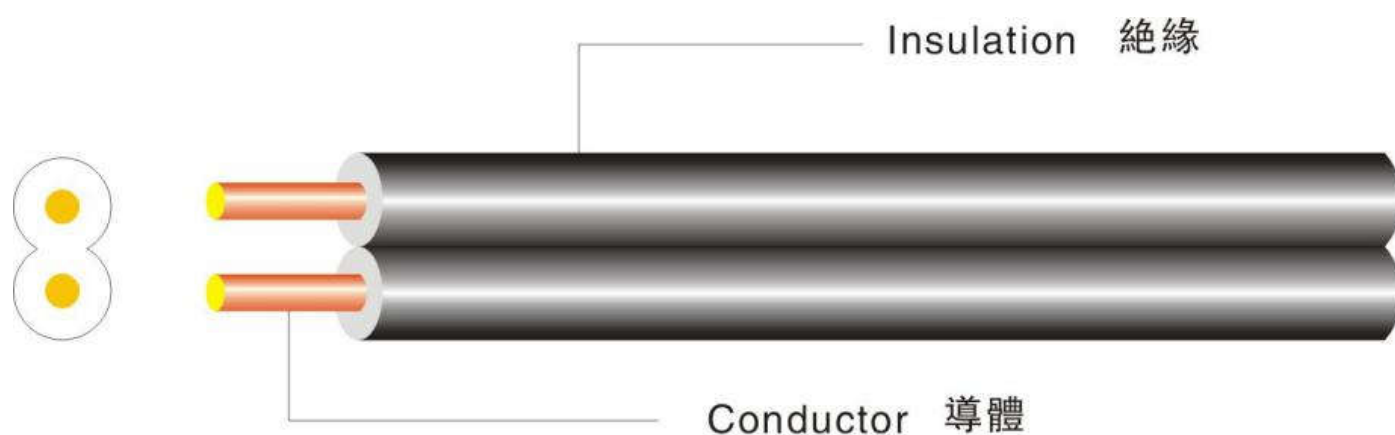
Refer to standard UL62

### Applications

For Christmas Tree Decoration

For Light Duty Power supply applications

### XTW/CXTW





# POWER CABLE

TYPE	AWG	Conductor construction( No./mm)	No. of Conductor	Insulation Thickness( mm)	Overall Diameter(m m)	Rating AMP(A)
XTW Parallel	22	17/0.16	2	0.76	2.30×4.60	3
	20	26/0.16	2	0.76	2.45×4.90	5
	18	41/0.16	2	0.76	2.65×5.30	10
CXTW Twisted	22	17/0.16	2	0.76	2.3	3
	20	26/0.16	2	0.76	2.45	5
	18	41/0.16	2	0.76	2.65	10
CXTW Single	22	17/0.16	1	0.76	2.3	3
	20	26/0.16	1	0.76	2.45	5
	18	41/0.16	1	0.76	2.65	10



# POWER CABLE

## AMERICAN FLAT POWER SUPPLY CORD

NISPT-1/NISPT-2/NISPT-2-R

UL FILE NO: UL FILE NO: LL98108/183511

### Description

Conductor: soft bare copper conductor

Insulation: PVC insulation

Jacket: PVC Jacket

Rated temperature: 60°C or 105°C

Rated voltage: 300V

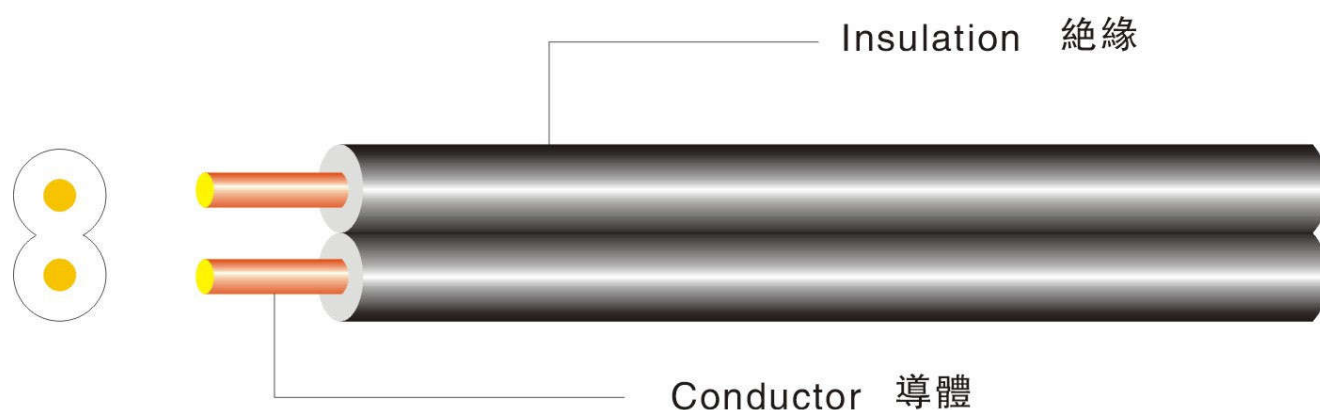
Passed UL VW-1 CSA FT2 flame test NISPT1 passed UL approval

NISPT2 passed UL/CSA approval Refer to standard CSA-C22.2 Refer to standard UL62

### Applications

For fan, lamp, hanging fixture, Radio, TV set stereo and small display, Sign, Refrigerator, washer and other appliances

## NISPT-1/NISPT-2/NISPT-2-R





# POWER CABLE

TYPE	AWG	Conductor Construction No./mm	No. of Conductor	Insulation Thickness (mm)	Insulation Diameter (mm)	Jacket Thickness (mm)	Overall Diameter (mm)	Rating AMP (A)
NISPT-1	20	26/0.16	2	0.38	1.8	0.38	2.60X4.80	5
			3	0.38	1.8	0.38	2.60X7.00	5
	18	41/0.16	2	0.38	1.95	0.38	2.85X5.40	10
			3	0.38	1.95	0.38	2.90X7.60	10
NISPT-2/NISPT-2-R	18	41/0.16	2	0.76	2.65	0.38	3.65X6.80	10
			3	0.76	2.65	0.38	3.80X10.40	10
	16	65/0.16	2	0.76	2.85	0.38	3.75X7.15	13
			3	0.76	2.85	0.38	3.85X10.65	13



# POWER CABLE

## AMERICAN ROUND SHAPE POWER SUPPLY CORD

SVT/SVTO/SJT/SJTW/SJTO/SJTOW

UL FILE NO: E137516      CSA FILE NO: LL98108/183511

### Description

Conductor: Stranded bare copper

Insulation: PVC insulation

Jacket: PVC jacket

Rated temperature: 60°C/105°C Rated voltage: 300V

Oil-resistant type SVTO/SJTO is available Water-resistant type SJTW is available

Oil-resistant and water-resistant type SJTOW is available

SVT/SJT/SJTW passed UL/CSA approval

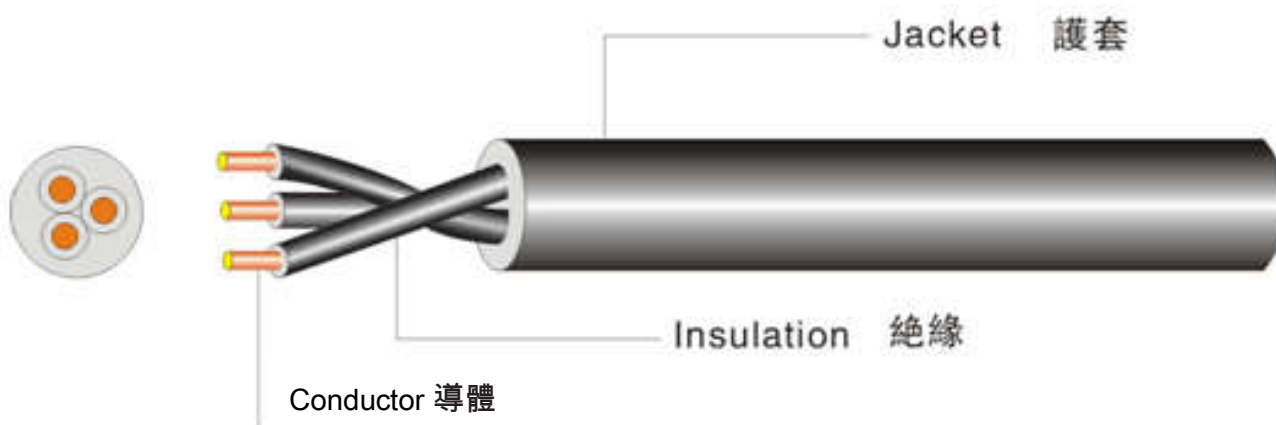
SVTO/SJTO/SJTOW passed UL/C (UL) approval , Passed UL VW-1& CSA FT1flame test

Refer to standard CSA-C22.2Refertostandard UL62

### Applications

For portable hand tools, washing machines, polishers, vibrators, lighting fixtures, dish washer medical equipment and office machinery.

### SVT/SVTO/SJT/SJTW/SJTO/SJTO





Lee Yuen



# POWER CABLE

TYPE	AWG	Conductor Construction (No./mm)	No. of Conductor	Insulation Thickness (mm)	Insulation Diameter (mm)	Jacket Thickness (mm)	Overall Diameter (mm)	Rating AMP(A)
SJT/ SJTW/SJTO/ JTOW	18	41/0.16	2	0.76	2.65	0.76	7.25	10
			3	0.76	2.65	0.76	7.75	10
			4	0.76	2.65	0.76	8.45	10
	16	65/0.16	2	0.76	2.9	0.76	7.85	13
			3	0.76	2.9	0.76	8.4	13
			4	0.76	2.9	0.76	9.15	13
	14	41/0.254	2	0.76	3.18	0.76	8.65	15
			3	0.76	3.18	0.76	9.25	15
			4	0.76	3.18	0.76	10	15
	12	65/0.254	2	0.76	3.9	1.14	10.5	20
			3	0.76	3.9	1.14	11	20
			4	0.76	3.9	1.14	12	20
	10	104/0.254	2	1.14	5.3	1.52	13.9	25
			3	1.14	5.3	1.52	14.6	25
			4	1.14	5.3	1.52	16	25
SVT/SVTO	18	41/0.16	2	0.38	2	0.76	5.7	10
			3	0.38	2	0.76	6	10
	16	65/0.16	2	0.38	2.3	0.76	6.3	13
			3	0.38	2.3	0.76	6.8	13



# POWER CABLE

## AMERICAN ROUND SHAPE 600V POWER SUPPLY CORD

ST/STW/STO/STOW

UL FILE NO: E137516      CSA FILE NO: LL98108/183511

### Description

Conductor: stranded, bare copper

Insulation: PVC insulation

Jacket: PVC Jacket or resistance water jacket

Rated temperature: 60°C/105°C

Rated voltage: 600V

Water-resistant type STW is available Oil-resistant type STO is available Oil-resistant and Water –resistant type STOW is available

Passed UL VW-1 & CSA FT1 flame test ST/STW passed UL/CSA approval STO/STOW passed UL/C (UL) approval

Refer to standard UL62

RefertostandardCSA-C22.2

### Applications

Hard service cord for motor operated tools.

ST/STW/STO/STOW





# POWER CABLE

TYPE	AWG	Conductor Construction (No./mm)	No. of Conductor	Insulation Thickness (mm)	Insulation Diameter (mm)	Jacket Thickness (mm)	Overall Diameter (mm)	Rating AMP (A)
ST/STW/ STO/ST OW	18	41/0.16	2	0.76	2.8	1.52	8.75	10
			3	0.76	2.8	1.52	9.25	10
			4	0.76	2.8	1.52	9.9	10
	16	65/0.16	2	0.76	3.1	1.52	9.4	13
			3	0.76	3.1	1.52	9.9	13
			4	0.76	3.1	1.52	10.6	13
	14	41/0.254	2	1.14	4.3	2.03	12.7	15
			3	1.14	4.3	2.03	13.4	15
			4	1.14	4.3	2.03	14.4	15
	12	65/0.254	2	1.14	4.8	2.03	14.5	20
			3	1.14	4.8	2.03	15.1	20
			4	1.14	4.8	2.03	16.4	20
10	104/0.254	2	1.14	5.4	2.03	15.8	25	
		3	1.14	5.4	2.03	16.7	25	
		4	1.14	5.4	2.03	17.9	25	





# POWER CABLE

## GENERAL STANDARD EUROPEAN POWER SUPPLY CORD

H03VVF, H03VVH2-F, H05VVF, H05VVH2-F

### Description

Conductor: stranded bare copper

Insulation: color coded PVC

Jacket: color coded PVC

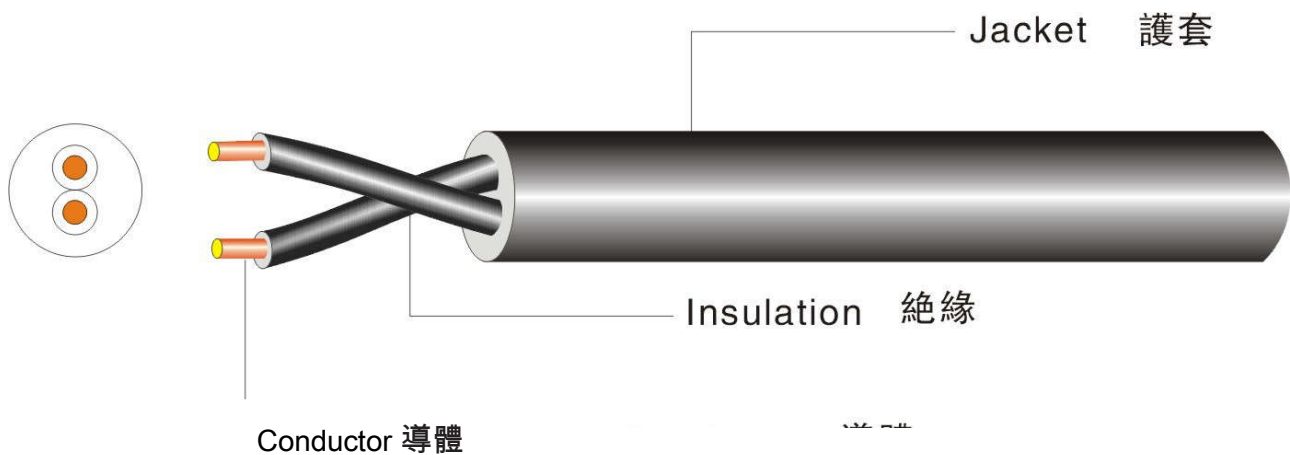
Rated temperature: 70°C

Refer to standard EN50525, IEC60227

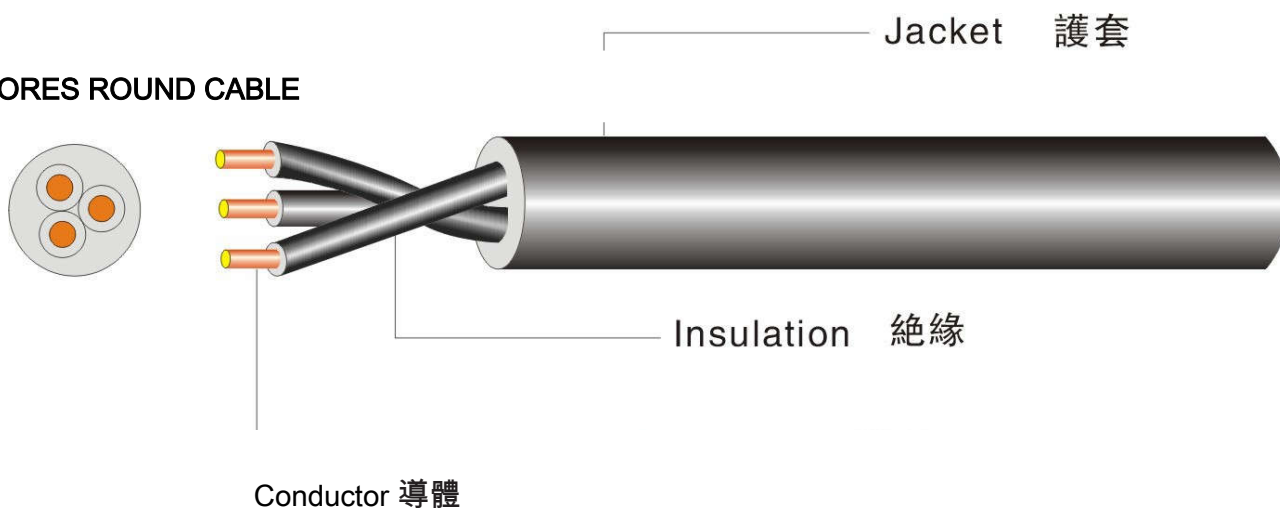
### Applications

For in doors mall electrical instruments

### 2 CORES ROUND CABLE



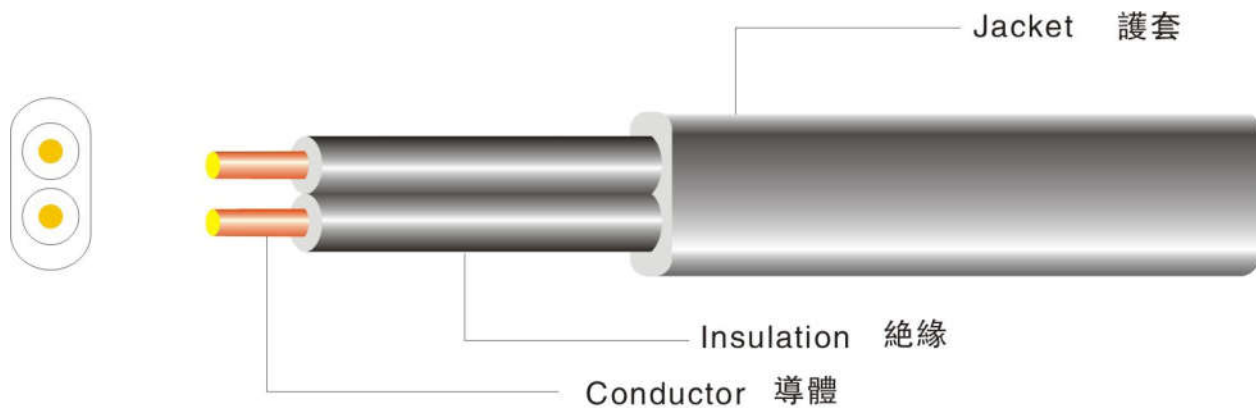
### 3 CORES ROUND CABLE





# POWER CABLE

## FLAT CABLE



Type	CONDUCTOR		PVC INSULATION		PVC JACKET		AMP	Rated voltage
	Area (mm <sup>2</sup> )	No./mm	Nom. Thickness (mm)	Nom. Diameter (mm)	Nom. Thickness (mm)	Nom. Diameter (mm)	Rating (A)	
H03VVH2-F	2X0.50	(29/0.15)	0.50	1.90	0.60	4.85	3	300V/300V
	2X0.75	(42/0.15)	0.50	2.10	0.60	5.50	6	
H03VV-F	2X0.50	(29/0.15)	0.50	1.90	0.60	4.85	3	
	2X0.75	(42/0.15)	0.50	2.10	0.60	5.50	6	
	3X0.50	(29/0.15)	0.50	1.90	0.60	5.45	3	
	3X0.75	(42/0.15)	0.50	2.10	0.60	5.80	6	
H05VVH2-F	2X0.75	(42/0.15)	0.60	2.20	0.80	3.90X6.20	6	300V/500V
	2X1.00	(58/0.15)	0.60	2.40	0.80	4.10X6.50	10	
H05VV-F	2X0.75	(42/0.15)	0.60	2.20	0.80	6.10	6	
	2X1.00	(58/0.15)	0.60	2.40	0.80	6.40	10	
	2X1.50	60/0.18	0.70	2.85	0.80	7.40	16	
	2X2.50	100/0.18	0.80	3.60	1.00	9.60	20	
	3X0.75	(42/0.15)	0.60	2.20	0.80	6.45	6	
	3X1.00	(58/0.15)	0.60	2.40	0.80	6.80	10	
	3X1.50	60/0.18	0.70	2.85	0.90	8.10	16	
	3X2.50	100/0.18	0.80	3.60	1.10	10.10	20	
4X1.50	60/0.18	0.70	2.85	1.00	9.20	16		



# POWER CABLE

## EUROPEAN HIGH TEMPERATURE POWER SUPPLY CORD

H03V2V2-F, H03V2V2H2-F, H05V2V2-F

### Description

Conductor: stranded bare copper

Insulation: Heat-resistant PVC Jacket: Heat-resistant PVC

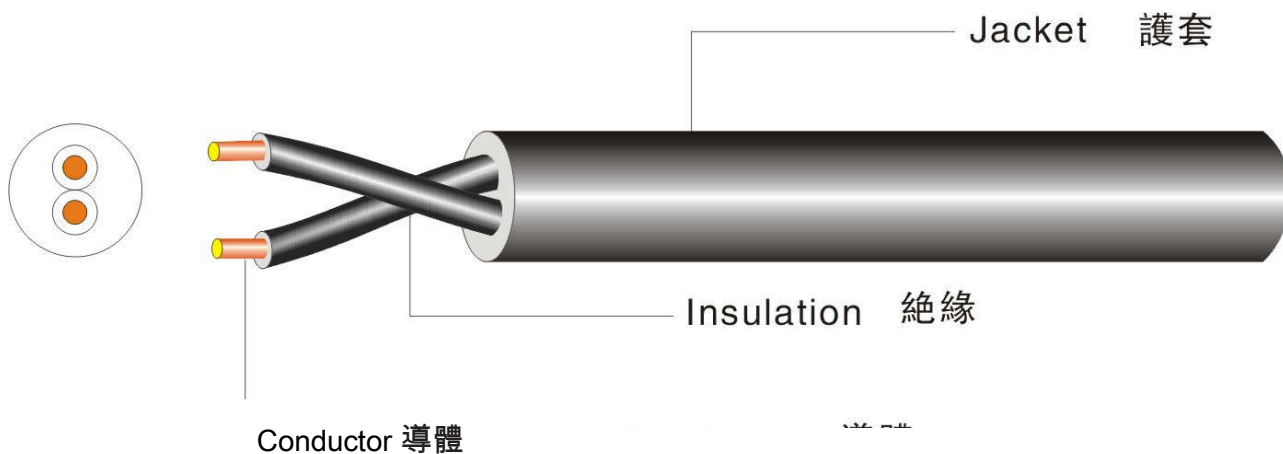
Rated temperature: 90°C

Refer to standard EN50525, IEC60227

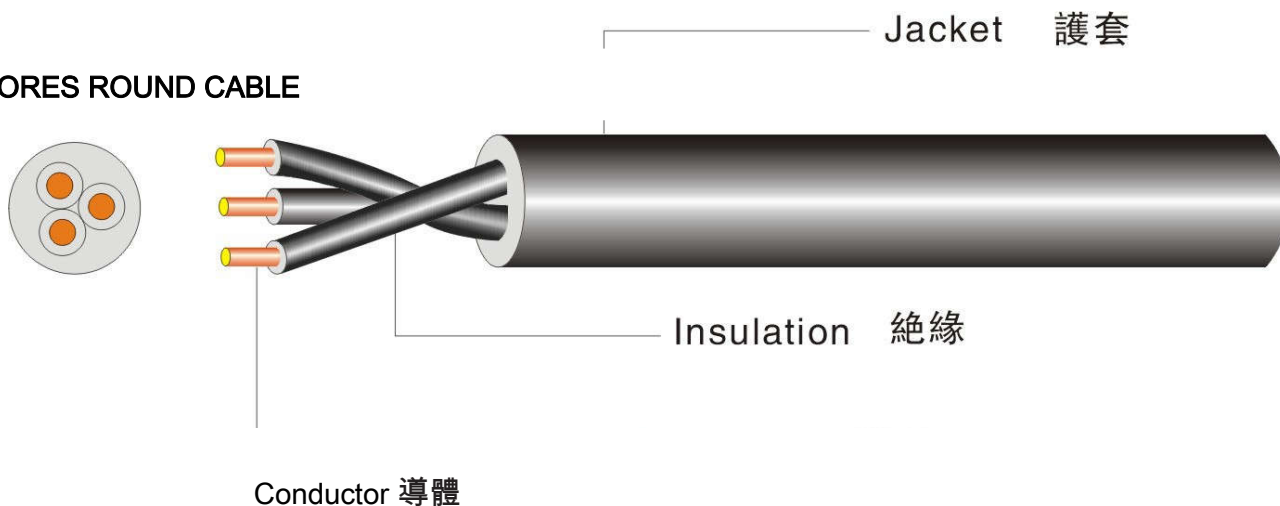
### Applications

For indoor small electrical instruments

#### 2 CORES ROUND CABLE



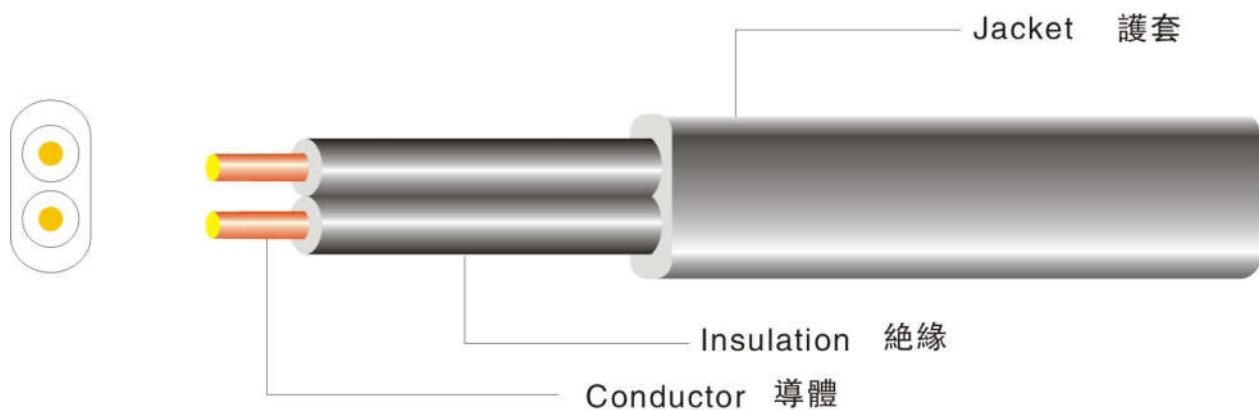
#### 3 CORES ROUND CABLE





# POWER CABLE

## FLAT CABLE



Type	CONDUCTOR		PVCINSULATION		PVC JACKET		AMP	Rated voltage
	Area(mm <sup>2</sup> )	No./mm	Nom. Thickness (mm)	Nom. Diameter (mm)	Nom. Thickness (mm)	Nom. Diameter (mm)	Rating(A)	
H03V2V2H2-F	2X0.50	29/0.15	0.50	1.95	0.60	3.15X5.15	3	300V/300V
	2X0.75	42/0.15	0.50	2.15	0.60	3.40X5.50	6	
H03V2V2-F	2X0.50	(29/0.15)	0.50	1.90	0.60	4.85	3	
	2X0.75	(42/0.15)	0.50	2.10	0.60	5.50	6	
	3X0.50	(29/0.15)	0.50	1.90	0.60	5.45	3	
	3X0.75	(42/0.15)	0.50	2.10	0.60	5.80	6	
H05V2V2-F	2X0.75	(42/0.15)	0.60	2.20	0.80	6.10	6	
	2X1.00	(58/0.15)	0.60	2.40	0.80	6.40	10	
	*2X1.50	60/0.18	0.70	2.85	0.80	7.40	16	
	*2X2.50	100/0.18	0.80	3.60	1.00	9.60	20	
	3X0.75	(42/0.15)	0.60	2.20	0.80	6.45	6	
	3X1.00	(58/0.15)	0.60	2.40	0.80	6.80	10	
	3X1.50	60/0.18	0.70	2.85	0.90	8.10	16	
	*3X2.50	100/0.18	0.80	3.60	1.10	10.10	20	



# POWER CABLE

## EUROPEAN SILICONE RUBBER ELECTRICAL WIRE POWER SUPPLY CORD

H03S-K, H05S-K

### Description

Conductor: stranded bare copper

Insulation: cross linked silicone rubber

Jacket: without jacket

Rated temperature: 180°C

Refer to standard EN 50525-2-41

### Applications

For in doors mall electrical instruments

H03S-K, H05S-K

Single core cable



Type	CONDUCTOR		PVCINSULATION		AMP	Rated voltage
	Area(mm <sup>2</sup> )	No./mm	Nom. Thickness (mm)	Nom. Diameter (mm)	Rating(A)	
H03S-K	1X0.50	(29/0.15)	0.60	2.25	3	300V/300V
	1X0.75	(42/0.15)	0.60	2.40	6	
	1X1.00	(58/0.15)	0.60	2.50	10	
	1X1.50	(60/0.18)	0.70	3.20	16	
	1X2.50	(100/0.18)	0.80	3.80	20	
H05S-K	1X0.50	(29/0.15)	0.80	2.65	3	300V/500V
	1X0.75	(42/0.15)	0.80	2.85	6	
	1X1.00	(58/0.15)	0.80	3.05	10	
	1X1.50	(60/0.18)	0.90	3.50	16	
	1X2.50	(100/0.18)	1.00	4.30	20	



# POWER CABLE

## EUROPEAN ECOILING POWERSUPPLY CORD

HH03VVH8-F, H03VVH2H8-F, H05VVH8-F, H05VVH2H8-F

### Description

Conductor: stranded bare copper

Insulation: color coded PVC

Jacket: color coded spring PVC

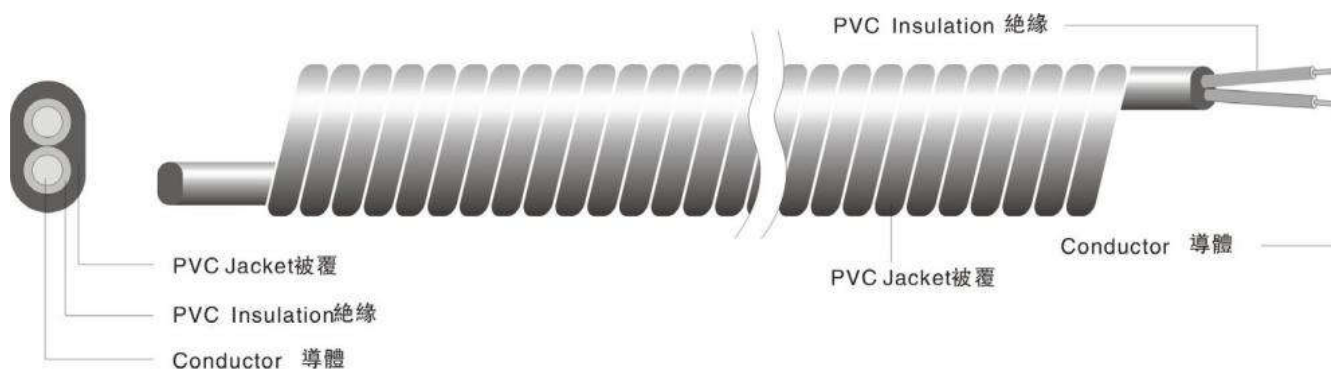
Rated temperature: 70°C

Refer to standard EN50525, IEC60227

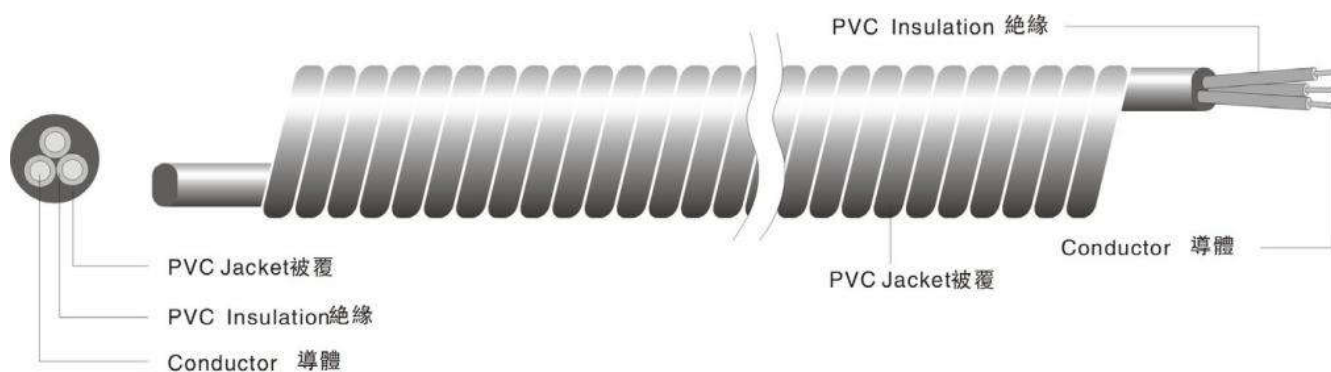
### Applications

For indoors mall electrical instruments

### 2 CORES COILED CABLE



### 3 CORES COILED CABLE





# POWER CABLE

Type	CONDUCTOR		PVCINSULATION		PVC JACKET		AMP	Rated voltage	
	Area (mm <sup>2</sup> )	No./mm	Nom. Thickness (mm)	Nom. Diameter (mm)	Nom. Thickness (mm)	Nom. Diameter (mm)	Rating(A)		
H03VVH2H8-F	2X0.50	(29/0.15)	0.50	1.90	0.60	3.15X5.15	3	300V/300V	
	2X0.75	(42/0.15)	0.50	2.10	0.60	3.40X5.50	6		
H03VVH8-F	2X0.50	(29/0.15)	0.50	1.90	0.60	4.85	3		
	2X0.75	(42/0.15)	0.50	2.10	0.60	5.50	6		
	3X0.50	(29/0.15)	0.50	1.90	0.60	5.45	3		
	3X0.75	(42/0.15)	0.50	2.10	0.60	5.80	6		
H05VVH2H8-F	2X0.75	(42/0.15)	0.60	2.20	0.80	3.90X6.20	6		300V/500V
H05VVH8-F	2X0.75	(42/0.15)	0.60	2.20	0.80	6.10	6		
	2X1.00	(58/0.15)	0.60	2.40	0.80	6.40	10		
	*2X1.50	60/0.18	0.70	2.85	0.80	7.40	16		
	3X0.75	(42/0.15)	0.60	2.20	0.80	6.45	6		
	3X1.00	(58/0.15)	0.60	2.40	0.80	6.80	10		
	3X1.50	60/0.18	0.70	2.85	0.90	8.10	16		



# POWER CABLE

## JAPANESE POWER CORDS

### Description

Conductor: stranded bare copper

Insulation: color coded PVC

Jacket: color coded PVC

Rated temperature: VSF/VFF/VCTF/VCTFK/VCT: 60°C

HVFF/HVCTF/HVCTFK/HVCT: 75°C

Rated voltage: 300V (except VCT)

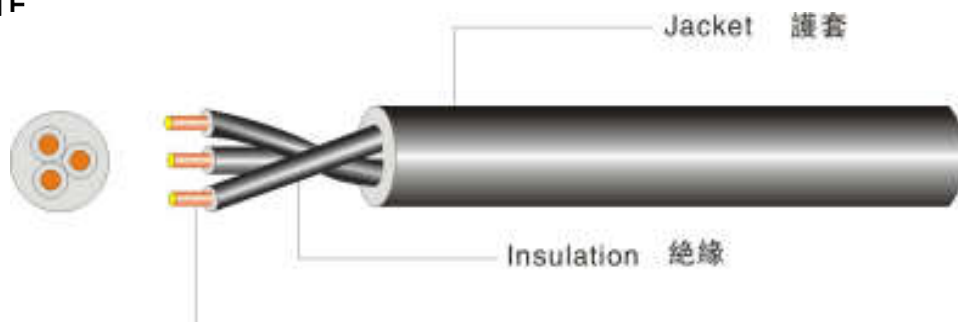
Rated voltage for VCT: 600V

Refer to standard JIS C3306

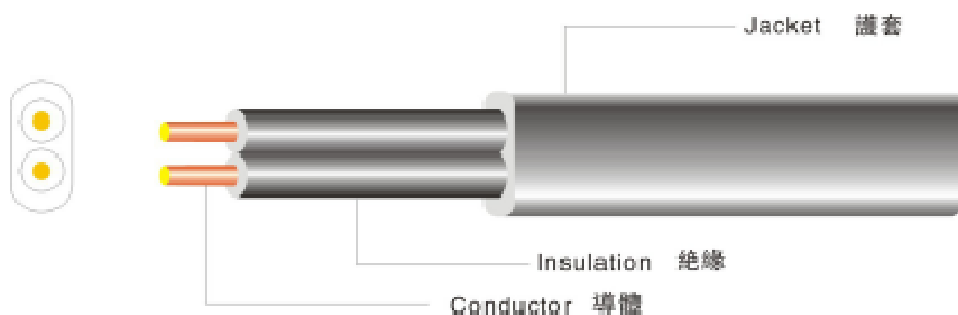
### Applications

For indoor electrical instruments

#### VCTF



#### VCTFK

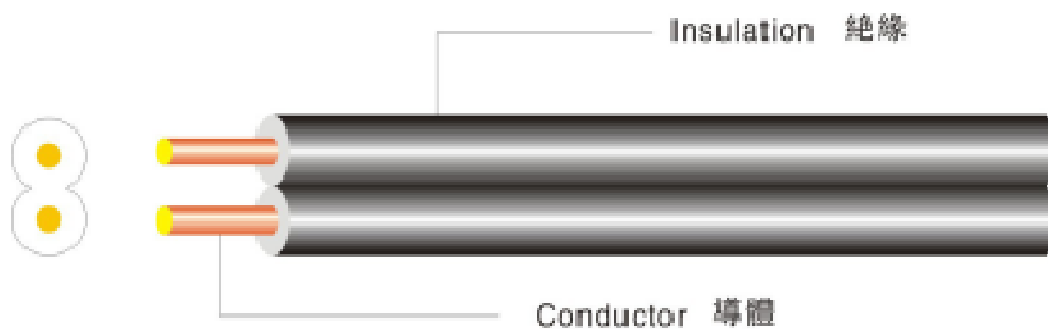






## POWER CABLE

VFF



Type	CONDUCTOR		PVC INSULATION		PVC JACKET		AMP
	Area (mm <sup>2</sup> )	No./mm	Nom. Thickness (mm)	Nom. Diameter (mm)	Nom. Thickness (mm)	Nom. Diameter (mm)	Rating (A)
( HIGH TEMP ) VSF	1X0.50	20/0.18	0.80	----	----	2.50	3
	1X0.75	30/0.18	0.80	----	----	2.70	7
	1X1.00	40/0.18	0.80	----	----	2.90	10
	1X1.25	50/0.18	0.80	----	----	3.10	12
	1X2.00	80/0.18 (41/0.254)	0.80	----	----	3.40	15
( HIGH TEMP ) VFF/HVFF	2X0.50	20/0.18	0.80	----	----	2.50X5.00	3
	2X0.75	30/0.18	0.80	----	----	2.70X5.40	7
	2X1.00	40/0.18	0.80	----	----	2.90X5.80	10
	2X1.25	50/0.18	0.80	----	----	3.10X6.20	12
	2X2.00	80/0.18 (41/0.254)	0.80	----	----	3.40X6.80	15
( HIGH TEMP ) VCTF/HVCTF	2X0.75	30/0.18	0.60	2.30	1.0	6.60	7
	2X1.00	40/0.18	0.60	2.50	1.0	7.00	10
	2X1.25	50/0.18	0.60	2.75	1.0	7.40	12
	2X2.00	80/0.18 (41/0.254)	0.60	3.15	1.0	8.00	15
	3X0.75	30/0.18	0.60	2.30	1.0	7.00	7
	3X1.00	40/0.18	0.60	2.50	1.0	7.40	10

**POWER CABLE**

	3X1.25	50/0.18	0.60	2.75	1.0	7.80	12
	3X2.00	80/0.18 (41/0.254)	0.60	3.15	1.0	8.50	15
	4X0.75	30/0.18	0.60	2.30	1.0	7.60	7
	4X1.00	40/0.18	0.60	2.50	1.0	8.00	10
	4X1.25	50/0.18	0.60	2.75	1.0	8.50	12
	4X2.00	80/0.18 (41/0.254)	0.60	3.15	1.0	9.30	15
( HIGH TEMP ) VCTFK/ HVCTFK	2X0.75	30/0.18	0.60	2.30	1.0	4.30X6.60	7
	2X1.00	40/0.18	0.60	2.50	1.0	4.50X7.00	10
	2X1.25	50/0.18	0.60	2.75	1.0	4.70X7.40	12
	2X2.00	80/0.18 (41/0.254)	0.60	3.15	1.0	5.00X8.00	15
( HIGH TEMP ) VCT/HVCT	2X0.75	30/0.18	0.8	---	1.7	8.90	7
	2X1.00	40/0.18	0.60	2.50	1.7	9.2	10
	2X1.25	50/0.18	0.8	---	1.7	9.60	12



# POWER CABLE

## CHINA (CCC) STANDARD POWER SUPPLY CORD

### Description

Conductor: stranded bare copper

Insulation: color coded PVC

Jacket: color coded PVC

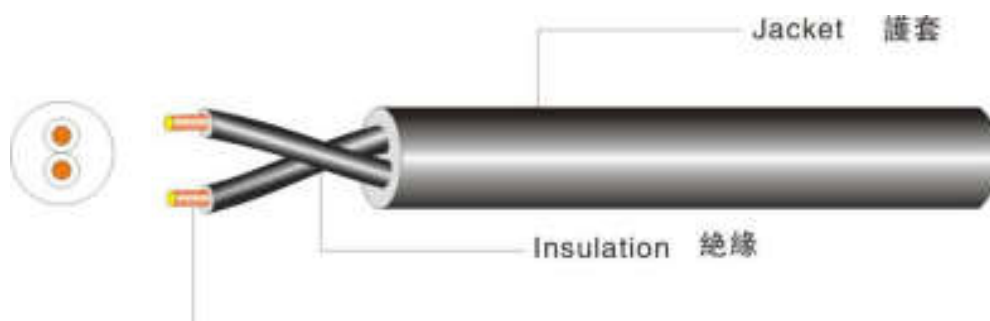
Rated temperature: 70°C/90°C

Refer to standard GB/T 5023.5, IEC60227-5

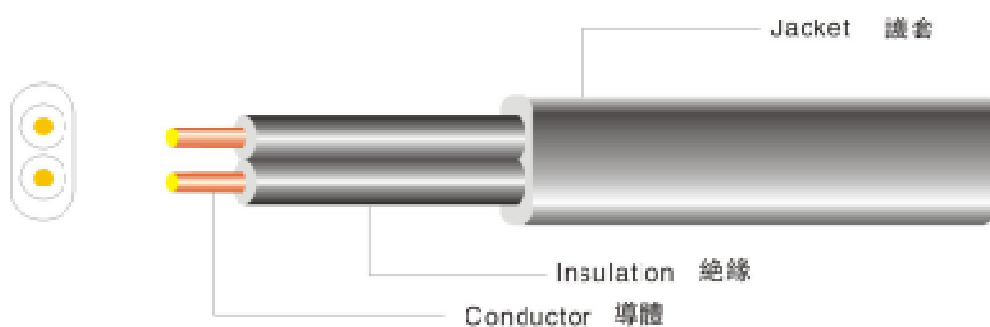
### Applications

For indoor small electrical instruments

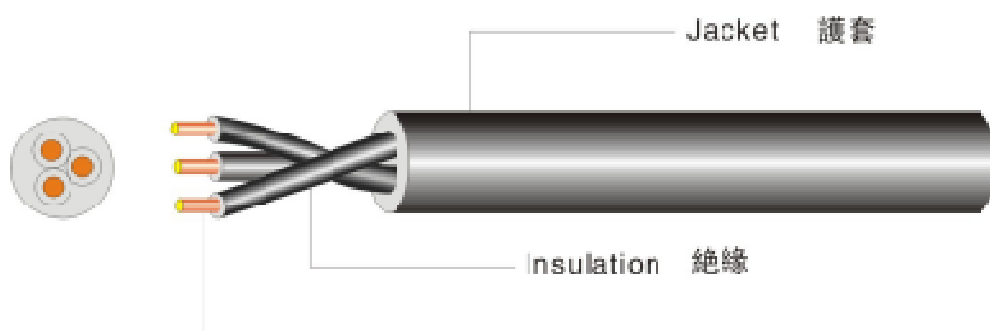
#### 2 CORES ROUND CABLE



#### 2 CORES FLAT CABLE



#### 3 CORES ROUND CABLE





# POWER CABLE

Type	CONDUCTOR		PVC INSULATION		PVC JACKET		AMP	Rated voltage
	Area (mm <sup>2</sup> )	No./mm	Nom. Thickness (mm)	Nom. Diameter (mm)	Nom. Thickness (mm)	Nom. Diameter (mm)	Rating (A)	
60227 IEC 52	2X0.50	(29/0.15)	0.50	1.90	0.60	3.15X5.15	3	300V/300V
	2X0.75	(42/0.15)	0.50	2.10	0.60	3.40X5.50	6	
	2X0.50	(29/0.15)	0.50	1.90	0.60	4.85	3	
	2X0.75	(42/0.15)	0.50	2.10	0.60	5.50	6	
	3X0.50	(29/0.15)	0.50	1.90	0.60	5.45	3	
	3X0.75	(42/0.15)	0.50	2.10	0.60	5.80	6	
60227 IEC 53	2X0.75	(42/0.15)	0.60	2.20	0.80	3.90X6.20	6	300V/500V
	2X1.00	(58/0.15)	0.60	2.40	0.80	4.10X6.50	10	
	2X0.75	(42/0.15)	0.60	2.20	0.80	6.10	6	
	2X1.00	(58/0.15)	0.60	2.40	0.80	6.40	10	
	*2X1.50	60/0.18	0.70	2.85	0.80	7.40	16	
	*2X2.50	100/0.18	0.80	3.60	1.00	9.60	20	
	3X0.75	(42/0.15)	0.60	2.20	0.80	6.45	6	
	3X1.00	(58/0.15)	0.60	2.40	0.80	6.80	10	
	3X1.50	60/0.18	0.70	2.85	0.90	8.10	16	
	*3X2.50	100/0.18	0.80	3.60	1.10	10.10	20	
*4X0.75	42/0.15	0.50	2.20	0.80	7.20	6		
60227 IEC 56	2X0.75	(42/0.15)	0.50	2.10	0.60	3.40X5.50	6	300V/300V
	2X0.75	(42/0.15)	0.50	2.10	0.60	5.50	6	
	3X0.75	(42/0.15)	0.50	2.10	0.60	5.80	6	
60227 IEC 57	2X0.75	(42/0.15)	0.60	2.20	0.80	3.90X6.20	6	300V/500V
	2X1.00	(58/0.15)	0.60	2.40	0.80	4.10X6.50	10	
	2X0.75	(42/0.15)	0.60	2.20	0.80	6.10	6	
	2X1.00	(58/0.15)	0.60	2.40	0.80	6.40	10	
	*2X1.50	60/0.18	0.70	2.85	0.80	7.40	16	
	3X0.75	(42/0.15)	0.60	2.20	0.80	6.45	6	
	3X1.00	(58/0.15)	0.60	2.40	0.80	6.80	10	
3X1.50	60/0.18	0.70	2.85	0.90	8.10	16		



# GENERAL HOOK UP WIRE

## General Hook Up Wire

The General Hook Up wire mostly used in household appliance, Electronic, Audio and some high temperature environment. Some standard can make as in spiral shielding or with extra Jacket and some lead wire can even used in humid environment or to be made as Semi- Rigid standard.

Model	Rate Temp. (°C)	Rate Voltage/ (DC) (V)	Insulated material	Min Insulated thickness(mm)	Jacket material	Available AWG	Other Properties
1007	80	300	PVC	0.38	-	32AWG~16AWG	
1010	105	600	PVC	0.38	Nylon	28AWG~12AWG	
1011	80	600/750	PVC	0.76	-	30AWG~10AWG	
1013	90	600/750	PVC	0.76	-	30AWG~10AWG	
1015	105	600/750	PVC	0.76	-	30AWG~10AWG	
1028	105	600	PVC	1.14	-	22AWG~8AWG	
1032	90	1000/1200	PVC	0.76	-	30AWG~10AWG	
1037							
1051	90	300	PVC	1.14	-	20AWG~16AWG	
1061	80	300	SR-PVC	0.3	-	30AWG~14AWG	
1088							
1095	80	300	PVC	0.38	-	30AWG~16AWG	
1108	80	300	PVC	0.38	PVC	30AWG~16AWG	Spiral Shield Available
1195	80	300	SR-PVC	0.38		30AWG~14AWG	
1207	90	600	PVC	0.79	PVC	28AWG	
1230	105	600	PVC	0.79		26AWG~10AWG	Use in Humidity environment
1316	105	600	PVC	0.38	Nylon	26AWG~12AWG	Gasoline Resistant
1347	80	300	PVC	0.41	PVC	26AWG~16AWG	Shield Cable
1503	80	150	SR-PVC	0.25	PVC	28AWG~20AWG	Shield Cable
1533	80	/	SR-PVC	0.23	PVC	30AWG~16AWG	Shield Cable
1569	105	300	PVC	0.38		30AWG~10AWG	





# GENERAL HOOK UP WIRE

Model	Rate Temp. (°C)	Rate Voltage/ (DC) (V)	Insulated material	Min Insulated thickness(mm)	Jacket material	Available AWG	Other Properties
1617	105	300	PVC		PVC	30AWG~10AWG	
1672	105	300	PVC		PVC	30AWG~10AWG	
1674	105	300	PVC	0.27	PVC	30AWG~12AWG	
1571	80	30	PVC	0.23	PVC	32AWG~16AWG	Shield Option available
1685	105	30	PVC	0.38	PVC	30AWG~16AWG	Shield Option available
1731	105	300	PVC	0.23	Nylon	30AWG~16AWG	Jacket Option available
2056	60	300	PVC	0.76		21AWG~18AWG	Multi-conductor
2060	105	300	PVC	1.14		22AWG~16AWG	Multi-conductor
2095	80	300	/	0.3	PVC	28AWG~14AWG	Multi-conductor
2243	105	300	PVC	1.14	PVC	20AWG~16AWG	Multi-conductor
2272	60	300	SR-PVC	0.38	PVC	28AWG~16AWG	Multi-conductor
2293	105	300	PVC	1.14		20AWG~16AWG	Multi-conductor
2464	80	300	SR-PVC	0.3	PVC	28AWG~14AWG	Multi-conductor and with shield option
2468	80	300	PVC	0.4		30AWG~16AWG	Multi-conductor andwith shield option
2576	80	150	PVC	0.13	PVC	30AWG~14AWG	Multi-conductor and with shield option
2725	80	30	SR-PVC	0.23	PVC	30AWG~22AWG	Multi-conductor and with shield option
2835	60	30	SR-PVC	0.3	PVC	28AWG~14AWG	Multi-conductor andwith shield option
10012	105	600	PVC	0.51	PVC	30AWG~10AWG	
10157	60	300	PVC	0.38	PVC	30AWG~16AWG	
10599	105	600	PVC	0.3	PVC	22AWG/16AWG	
20276	80	30	SR-PVC		PVC	40AWG Min.	Multi-conductor andwith shield option
20856	105	300	PVC	1.01	PVC	15AWG~14AWG	Two-conductor cable highly used in ALCI device





# TEFLON HOOK UP WIRE

## Teflon Hook Up Wire

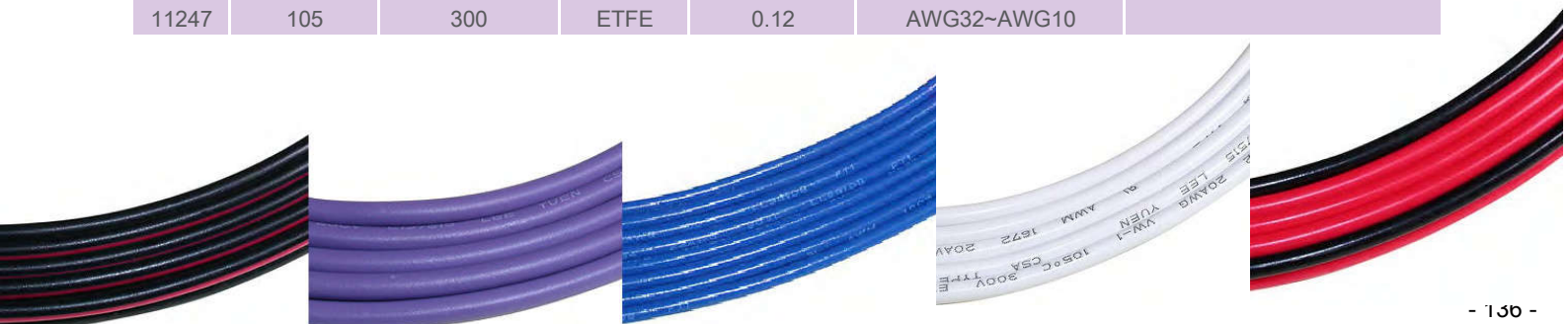
The Teflon Lead wire is highly used in high temperature including Aerospace, industrial equipment, transportation, telecommunication, heating device or household appliance. Rate Temperature can reach as high as 250 degree C. All our Teflon Lead wire used Dupont as raw material to manufacture to ensure our wire in excellent quality.

Model	Rate Temp. (°C)	Rate Voltage (DC) (V)	Insulated material	Min Insulated thickness (mm)	AWG Available AWG	Other Properties
1199	200	600	PTFE	0.45	AWG30~AWG10	Gasoline Resistant
1213	105		PTFE	0.17	AWG36~AWG12	
1330	200	600	FEP	0.45	AWG30~AWG10	Jacket Option available
1331	150	600	FEP	0.45	AWG30~AWG10	Gasoline Resistant, Jacket Option available
1332	200	300	FEP	0.30	AWG30~AWG10	Gasoline Resistant, Jacket Option available
1333	150	300	FEP	0.30	AWG30~AWG10	Gasoline Resistant, Jacket Option available
1371	105		FEP/ TFE	0.17	AWG36~AWG6	
1508	105	30	ETFE	0.12	AWG32~AWG20	
1513	105		ETFE	0.11	AWG36~AWG20	
1516	105		ETFE	0.20	AWG36~AWG10	
1517	105		ETFE	0.20	AWG32~AWG20	
1523	105		ETFE	0.13	AWG32~AWG20	
1538	105	125	FEP	0.17	AWG36~AWG6	Gasoline Resistant
1558	125		ETFE	0.10	AWG32~AWG16	
1586	105		ETFE	0.12	AWG32~AWG20	
				0.17	AWG19~AWG16	
				0.30	AWG15~AWG10	
1609	105	125	ETFE	0.20	AWG32~AWG10	
1610	105		ETFE	0.22	AWG32~AWG10	
1704	150	300	ECTFE	0.30	AWG32~AWG10	
1723	200		FEP/ PTFE	0.22	AWG32~AWG16	



# TEFLON HOOK UP WIRE

Model	Rate Temp. (°C)	Rate Voltage (DC) (V)	Insulated material	Min Insulated thickness (mm)	AWG Available AWG	Other Properties
1726	250	300	MFA/PFA	0.30	AWG32~AWG10	
1815	250	300	PTFE	0.30	AWG32~AWG10	Jacket and Braid Option available
1862	125	150	ETFE	0.22	AWG32~AWG16	
1863	125	300	ETFE	0.30	AWG32~AWG10	
1905	105	30	ETFE	0.10	AWG32~AWG10	
1927	105	30	ECTFE, ETFE, FEP,PFA	0.12	AWG32~AWG10	
10064	105	30	ECTFE, ETFE, FEP,PFA	0.22	AWG32~AWG16	
10086	200	600	ETFE	0.22	AWG32~AWG10	
10109	200	300	ETFE	0.20	AWG32~AWG10	
10156	125	30	ETFE.FE P.PFA	0.15	AWG32~AWG10	
10248	105	30	ETFE.FE P.PFA	0.10	AWG32~AWG10	
10277	105	300	ETFE	0.12	AWG32~AWG10	
10314	125	150	ETFE	0.20	AWG32~AWG10	
10315	125	300	ETFE	0.20	AWG32~AWG10	
10316	125	600	ETFE	0.12	AWG32~AWG10	
10362	250	600	PFA	0.17	AWG19~AWG15	
				0.30	AWG14~AWG10	
				0.20	AWG30~AWG10	
10393	250	600	PTFE	0.30	AWG30~AWG10	
10573	125	600	ETFE	0.12	AWG32~AWG10	
11247	105	300	ETFE	0.12	AWG32~AWG10	







# NON-HALOGEN HOOK UP WIRE

## Non-halogen Hook Up Wire

To fulfill the global trend to use less Halogen material, Lee Yuen has developed a series a Non-Halogen Wire. The Halogen free cable is manufactured by MPPE, XLPE, and FRPE material.

Our high quality Non-Halogen cable showed our commitment to a greener and more sustainable future.

Model	Rate Temp. (°C)	Rate Voltage (DC) (V)	Insulated material	Min Insulated thickness (mm)	Jacket material	Available AWG	Other Properties
1631	80	30	XL-PE	0.55		32AWG~10AWG	Jacket and shield cable option available
1640	80	30	XL-PE	0.55		32AWG~10AWG	Jacket and shield cable option available
3265	125	150	XL-PE	0.20		32AWG~16AWG	
3266	125	300	XL-PE	0.33		32AWG~10AWG	
3271	125	600/750	XL-PE	0.38		30AWG~10AWG	
3272	125	600	XL-PE	0.68		26AWG~10AWG	
3275	105	1000	XL-PE	0.68		26AWG~10AWG	
3289	150	600/750	XL-PE	0.68		30AWG~10AWG	
3302	105	30	XL-PE	0.1		32AWG~10AWG	Jacket and shield cable option available
3321	150	600/750	XL-PE	0.68		30AWG~10AWG	
3331	125	600	XL-PE	0.68		30AWG~10AWG	
3343	125	600	XL-PE	0.68		30AWG~10AWG	
3344	125	600	XL-PE	0.68		26AWG~10AWG	
3385	105	300	XL-PE	0.33		32AWG~10AWG	
3386	105	600	XL-PE	0.68		32AWG~10AWG	Jacket and shield cable option available
3456	150	600	XL-PE	0.68		30AWG~10AWG	
10368	105	300	XL-PE	0.55		30AWG~10AWG	
10602	80	300	FRPE	0.55		30AWG~10AWG	
10603	80	600	FRPE	0.55		26AWG~10AWG	
10796	80	30				30AWG~10AWG	
10800	80	300			FRPE	30AWG~10AWG	Jacket and shield cable option available
10937	105	300			XLPE	30AWG~10AWG	



# NON-HALOGEN HOOK UP WIRE

Model	Rate Temp. (°C)	Rate Voltage (DC) (V)	Insulated material	Min Insulated thickness (mm)	Jacket material	Available AWG	Other Properties
10938	105	600			XLPE	30AWG~10AWG	
10981	80	300	mPPE-PE	0.2		30AWG~16AWG	
10982	80	300	mPPE-PE	0.33		32AWG~16AGW	
10983	80	300				30AWG~10AWG	
10984	80		mPPE-PE	0.2		30AWG~16AWG	Jacket and shield cable option available
20851	80	30	FRPE			32AWG~26AWG	Multi-core shield cable
20855	80	30			FRPE	40AWG minimum	Multi-core wire, shield cable can be added as option
21088	80	30			FRPE	40AWG minimum	Multi-core shield cable
21099	80	30			FRPE	40AWG minimum	Multi-core wire, shield cable can be added as option
21100	80	30			FRPE	40AWG minimum	Multi-core wire, shield cable can be added as option
21118	80	30			FRPE	50AWG minimum	Multi-core wire, shield cable can be added as option
21143	80	600			FRPE	26AWG~16AWG	Multi-core wire, shield cable can be added as option
21304	60	30			FRPE	28AWG~10AWG	Multi-core wire, shield cable can be added as option
21307	80	300			FRPE	28AWG~10AWG	Multi-core wire, shield cable can be added as option
21311	80	300	FRPE	0.33	-	32AWG~16AWG	Multi-core parallel wire
21451	80	30			FRPE	28AWG~20AWG	Multi-core wire, shield cable can be added as option
21452	60	30			mPPE-PE	28AWG~22AWG	Multi-core wire, shield cable can be added as option
21455	80	30			mPPE-PE	28AWG~24AWG	Multi-core wire, shield cable can be added as option



# NON-HALOGEN HOOK UP WIRE

Model	Rate Temp. (°C)	Rate Voltage (DC) (V)	Insulated material	Min Insulated thickness (mm)	Jacket material	Available AWG	Other Properties
21456	80	30			mPPE-PE	30AWG~16AWG	Multi-core wire, shield cable can be added as option
21457	80	/	mPPE	0.2		30AWG~16AWG	Multi-core wire, shield cable can be added as option
21458	80	30	mPPE	0.33		32AWG~16AGW	Multi-core parallel wire



# LEAD WIRE

## Single-conductor, thermoplastic insulation

1007	1195	1371	1589	1728	10086	10393	10932
1010	1199	1430	1598	1731	10109	10449	10937
1011	1207	1500	1609	1789	10156	10515	10938
1013	1213	1503	1610	1815	10157	10533	10981
1015	1230	1508	1617	1862	10173	10573	10982
1028	1269	1513	1618	1863	10198	10599	10983
1032	1285	1516	1631	1870	10248	10602	10984
1037	1316	1517	1640	1905	10250	10603	11019
1051	1330	1523	1672	1927	10277	10672	11187
1061	1331	1533	1674	1950	10314	10717	11193
1088	1332	1538	1685	1987	10315	10795	11247
1095	1333	1558	1691	10005	10316	10796	11339
1108	1347	1569	1704	10012	10357	10800	11341
1122	1354	1571	1723	10064	10362	10812	
1185	1365	15865	1726	10070	10368	10837	

## Multiple-conductor, thermoplastic

2056	2128	2517	2725	20251	20856	21143	21451
2060	2129	2547	2791	20253	21016	21149	21452
2092	2243	2552	2835	20276	21064	21304	21455
2093	2272	2562	2851	20279	21083	21306	21456
2095	2293	2576	2854	20379	21088	21307	21457
2101	2405	2587	2877	20417	21099	21309	21458
2102	2464	2598	2919	20554	21100	21310	21471
2103	2468	2651	2960	20851	21101	21311	21741
2127	2493	2717	2990	20855	21118	21416	21780



## LEAD WIRE

### Single-conductor, thermoplastic insulation

3071	3132	3219	3272	3321	3344	3434	3590
3099	3133	3265	3275	3323	3367	3456	
3100	3134	3266	3289	3331	3385	3512	
3122	3135	3271	3302	3343	3386	3586	